

Combination Units - Hand Dryer

TSL.CM9

The TSL.CM9 is an ultra slim body hand dryer with an overall recessing depth of 100mm, which will fit into a standard partition wall.

Finish	Codes	LRV*
● Satin	TSL.CM9.CS	58
● Black (Powder Coat)	TSL.CM9.BK	4
● Solid Surface	TSL.CM9.SO	*

Light Reflectance Value* (Solid Surface LRV dependant on finish)

+ TSL.CM9



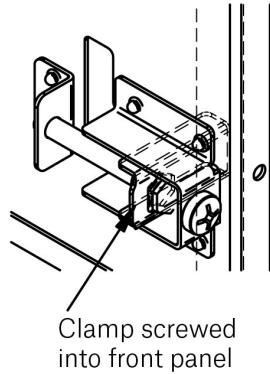
Technical Data

Weight	12.96Kg
Material	AISI 304 Stainless Steel / Solid Surface
Voltage/Frequency	220-240V 50HZ/60HZ
Sensor Range	100mm vertically under outlet
Drying Time	17 Seconds
Air Outlet Temperature	54°C (129°F) and 20°C (68°F) for ambient air
Air Speed	28m/s (91ft/s)
Noise Level	71dB
Nominal Power/Rates	1.8Kw at 230V

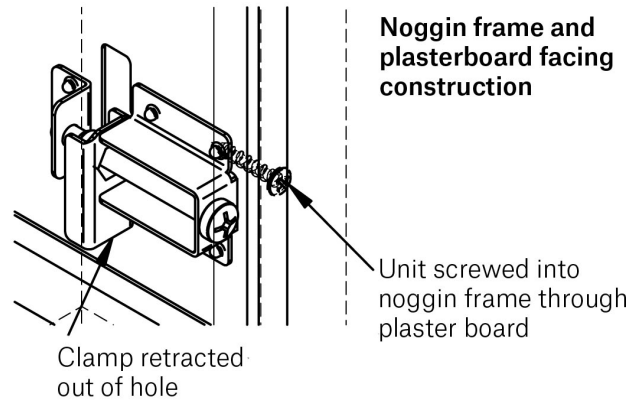
Installation requirements

Cutout Dimensions	358mmx549mm
Minimum Void Depth	100mm
Fixing	Concealed screws through side flange to solid wall or timber framed aperture, or internal clamp to solid facing-board.

Solid facing board construction



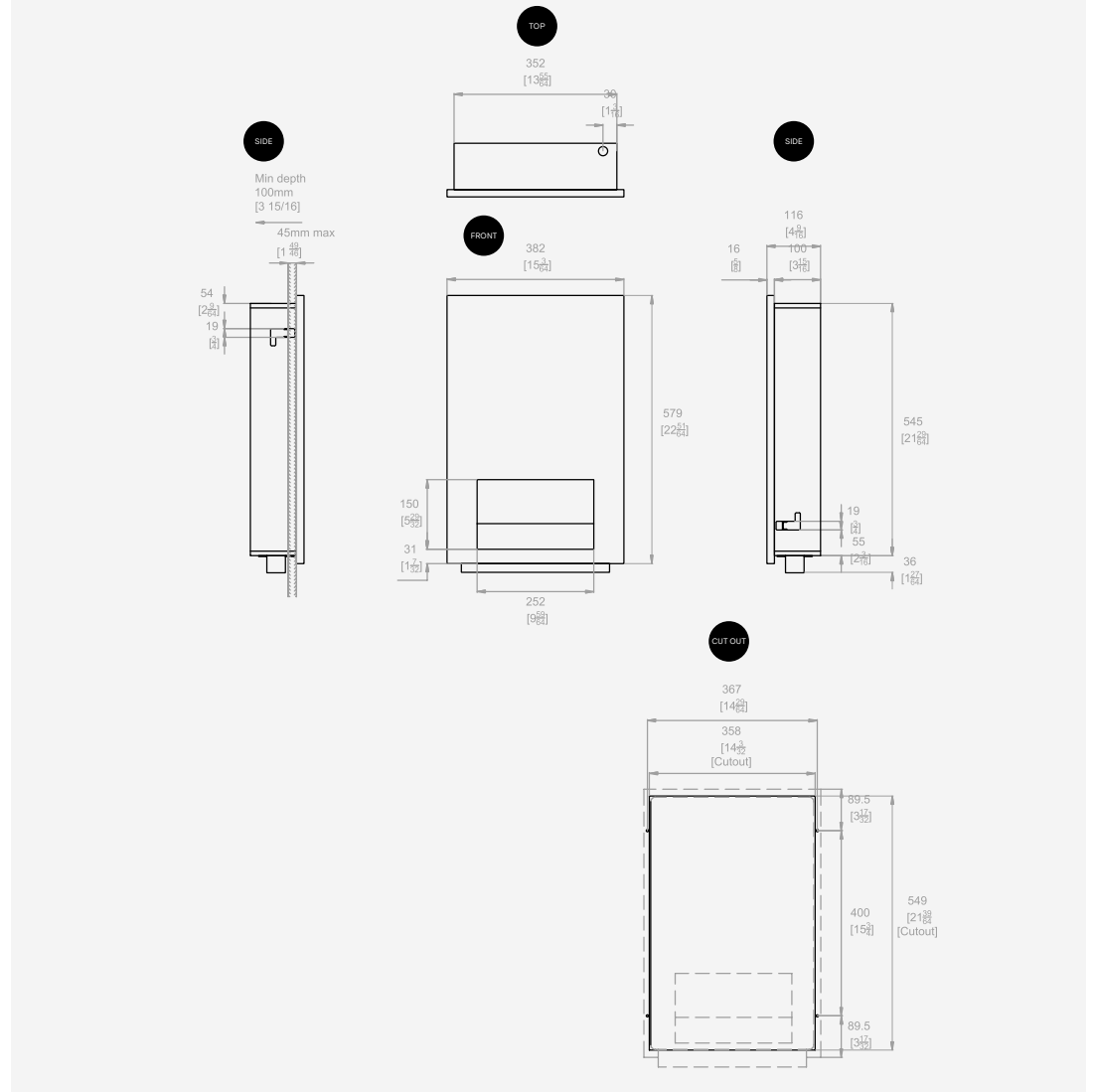
Noggin frame and plasterboard facing construction



Key Components/Spare Parts

Combination Units - Waste Bin
TSL.CM9

+ Technical drawing



Warranty & Spare parts

For warranty terms and conditions please visit www.thesplashlab.com

If additional spare parts are required and are not listed above, please contact us at info.uk@thesplashlab.com

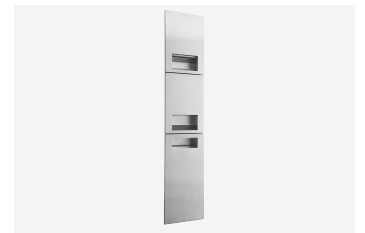
Related products



Combination Units - Paper Towel
TSL.CM8



Combination Units - Waste Bin
TSL.CM10



Combination Unit
TSL.CM8910