

TSL.650

Waste Trap

installation + maintenance

+
THE
SPLASH
LAB

contents

3	Safety and Warnings & Box Contents
4	Diagram
5	Technical Data
6	Before You Install & Maintenance
7	How To Install
9	Cleaning
10	Warranty
11	Contact Details

For more information contact:

Tel: +44 (0)161 482 7000

Email: technical@thesplashlab.com

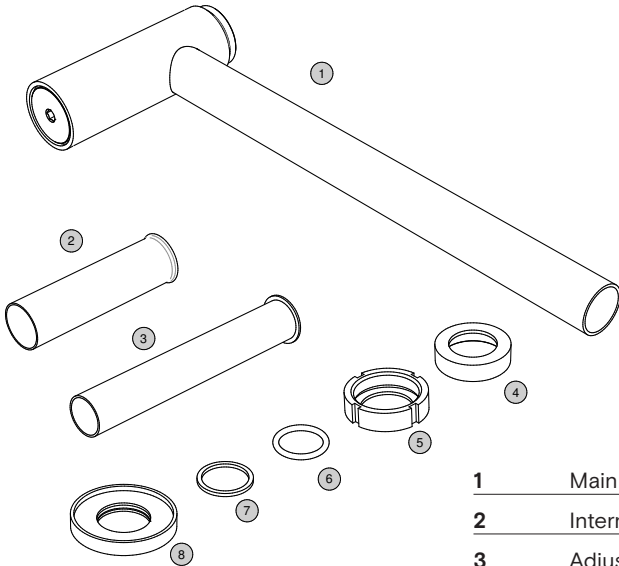
TSL.650 waste trap

Read and save these instructions

WARNING 

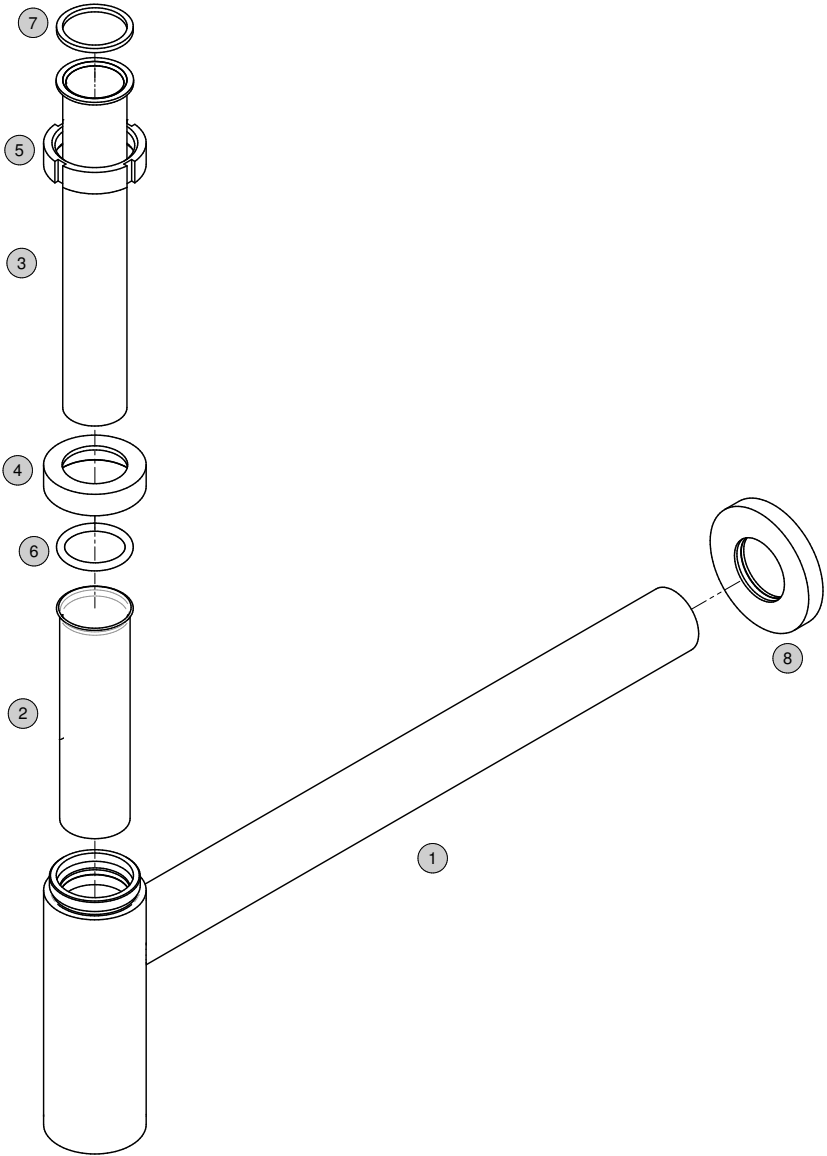
- + Use this unit only in the manner intended by the manufacturer. If you have questions, contact the manufacturer (see back page for more details).
- + Ensure plumbing is installed correctly before activating water supply.
- + All plumbing is to be installed in accordance with applicable codes and regulations.

box contents



1	Main body
2	Internal waste trap tube
3	Adjustable inlet tube
4	Plain fixing nut
5	Notched fixing nut
6	O-ring
7	Flat rubber washer
8	Wall bezel

diagram



technical data

Overview

The stainless steel bottle trap with a removable discharge connection is designed for the purpose of allowing water to drain away from the basin, which requires no action by the user.

Codes	Finishes	Light Reflectance Value (LRV)
TSL.65OCS	Brushed Stainless Steel	58
TSL.65OCP	Brushed Copper	19
TSL.65OBK	Brushed Black	3
TSL.65OBR	Brushed Brass	40
TSL.65OBZ	Brushed Bronze	17

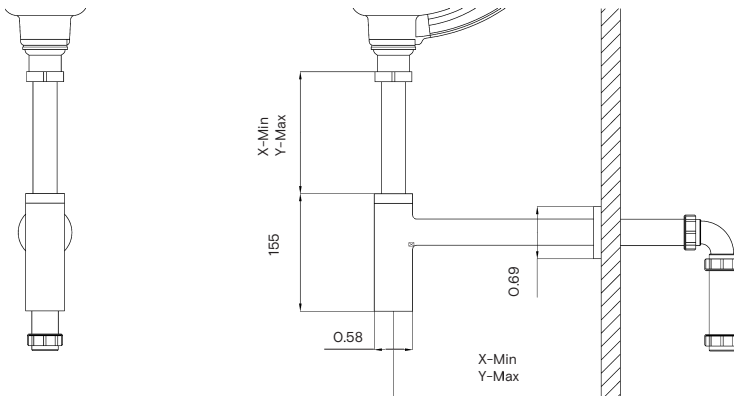
Technical Data

Body Material	AISI 304 Stainless Steel
Coating Type	PVD (colours only)
Weight	1.24Kg
Stainless Steel Grade	304

Spare Parts

There are no user serviceable parts.

Dimensions



before you install

Caution



- + The TSL650 parts must be put together correctly before installation.
- + All parts must be installed correctly before powering up the system.
- + Ensure that connection is to 1 ¼" standard waste pipe.
- + Ensure that the thread on the basin waste fitting is clear for trap to be screwed tight and connection sealed.

Access Requirements

It is critical all components which require fixing behind the wall are easily accessible at all times during installation and routine maintenance.

Wall Cavity: A minimum cavity depth of 100mm is recommended to ensure enough clearance for installing drainage components and connecting to mains drainage.

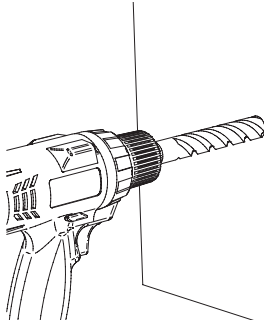
Front access: A hatch or panel(s) must be constructed either below the wash basin or behind the mirror to ensure the trap is accessible for maintenance and installation.

maintenance

For regular maintenance, the trap should be inspected periodically for any blockages. Hairs and other obstructions should be removed from the trap to ensure that water drains away. The removable cover at the base of the trap can be unscrewed for access to clear the debris. This should be done as required, if it is observed that water is not draining away sufficiently.

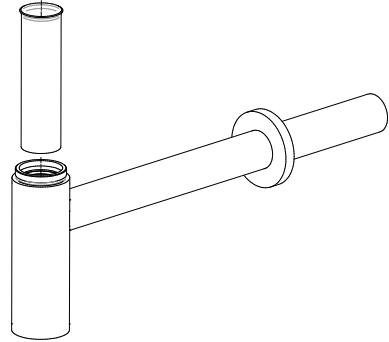
how to install

Trap Installation



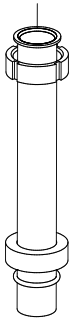
1

Drill a Ø50mm hole through the mounting surface and into the wall cavity.



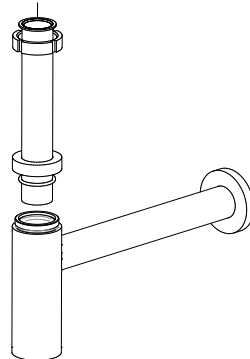
2

Unscrew plain fixing nut and slide internal waste trap tube into body of waste trap. The wall bezel can also be placed onto the back of the main body at this point.



3

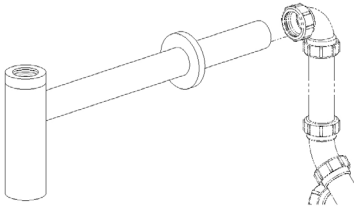
To assemble the adjustable inlet tube, start by placing the notched nut onto the tube with screw thread facing upwards. Next the plain nut needs to be put on the tube with the screw thread facing down. Lastly add the 'O' ring washer to the bottom of the tube.



4

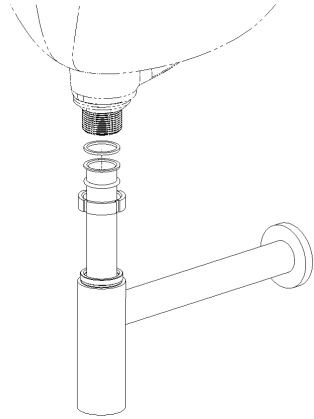
Push the adjustable tube into the main body to a height of your preference. Once set at the right height, screw the plain nut tight onto the main body of waste trap.

how to install



5

Feed the back of the waste trap through the wall and connect it up with the pipework within the cavity.



6

Place flat washer within the notched nut, and screw onto basin waste thread. The washer should be between the adjustable inlet tube and the basin waste.

7

Once all nuts are tightened, open the water inlet and allow water to drain.

WARNING: Ensure all connections are fully tightened to ensure full seal of the waste trap.

cleaning

- + Take extra care when cleaning decorative surfaces.
- + For surface cleaning of the trap use ONLY soap and water, then wipe dry with a clean cloth or towel.
- + DO NOT use steel wool or cleaning agents containing alcohol, acid, abrasives or the like.
- + Use of any prohibited cleaning or maintenance products or substances could damage the surface of the trap.
- + When cleaning bathroom tiles, the traps should be protected from any splattering of harsh cleansers.

All grades of stainless steel will stain or discolour if due care and attention is not taken. The surface must be regularly cleaned to ensure a long service life of the trap.

Use a soft cloth or sponge with a mild solution of soapy water as part of the regular washroom janitorial routine. Do not use abrasive or cream cleaners as these will damage the surface finish.

If the waste trap is subjected to a highly chlorinated environment such as swimming pools or marine coastal locations, a further treatment, in addition to the regular cleaning as described above, is recommended by the application of a household cleaning product containing silicone.

If further information is required, contact The Splash Lab technical team for more detailed stainless steel care guidelines.

warranty

We believe the future is personal. With a global mindset, we challenge conventional restroom norms via product innovation to create considered washroom solutions for corporate, public and hospitality spaces. We use rich raw materials, cutting-edge automation and considered washroom design to powerfully and positively influence the lives of people.

Demonstrating our commitment to quality and our belief in the strength of our designs, we offer the following warranties.

The Splash Lab warrant that its products will be free of manufacturing and material defects during normal use and environmental conditions as detailed below:

Waste trap: 2 years parts & labour

If a defect is found in normal use, The Splash Lab will, at their discretion, repair, provide a replacement part or product, or make appropriate adjustments. Damage caused by accident, misuse, or abuse is not covered by this warranty. Improper care and cleaning will void the warranty.

Non-operation of the product due to environmental conditions beyond our control, installation error, incorrect maintenance, water quality, fair wear and tear, incorrect or inappropriate installation, misuse and abuse is not covered by the warranty.

Proof of purchase (original sales receipt) must be provided to The Splash Lab with all warranty claims.

The above warranty is valid for goods supplied within the United Kingdom.

For goods supplied outside of the United Kingdom, The Splash Lab will honour the above stated warranty periods for the parts only.

THE SPLASH LAB DISCLAIM ANY LIABILITY FOR SPECIAL, INCIDENTAL OR CONSEQUENTIAL DAMAGES.

contact



General information

info@thesplashlab.com

+44 (0) 161 482 7000

Technical support

technical@thesplashlab.com

For further contact information visit:

www.thesplashlab.com

