

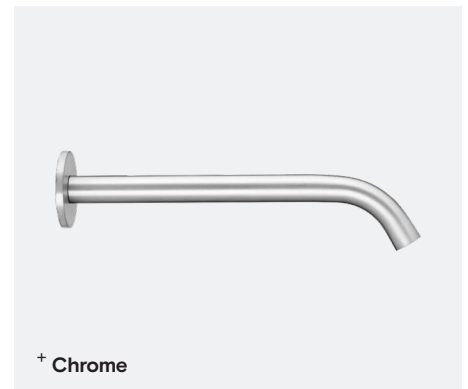
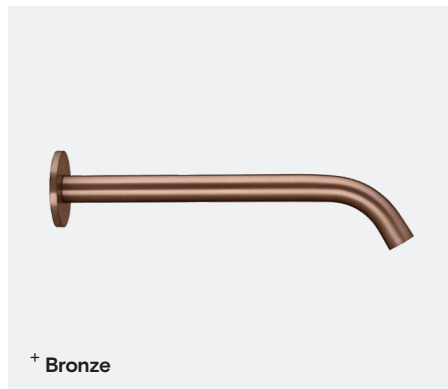
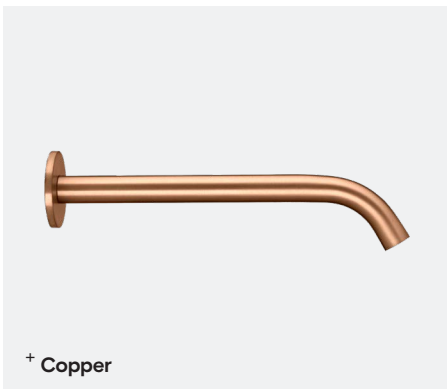
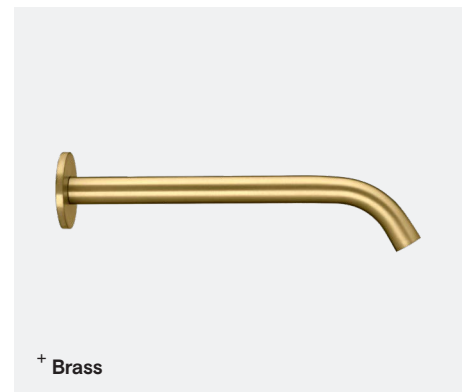
Capacitive Sensor Tap

TSL.881

The TSL.881 Capacitive Sensor Tap features a sleek wall mounted spout with concealed sensor and is available in a range of finishes.

| Finish | Codes | LRV* |
|----------|------------|------|
| ● Black | TSL.881.BK | 3 |
| ● Brass | TSL.881.BR | 40 |
| ● Satin | TSL.881.CS | 58 |
| ● Bronze | TSL.881.BZ | 17 |
| ● Copper | TSL.881.CP | 19 |
| ● Chrome | TSL.881.C | 75 |

Light Reflectance Value*



Technical Data

| | |
|-----------------------------------|---|
| Body Material | AISI 304 Stainless Steel |
| Coating Type | PVD (colours only) |
| Aerator | Cascade |
| Water Pressure (Dynamic) | 0.5 to 7.5 Bar [0.05 to 0.75MPa] |
| Water Temperature (max) | 60°C |
| Flow Rates | 3.8 litres/minute - Cascade flow 1.9 litres/minute - Spray flow |
| Also available | 1.35 litres / minute - Spray flow |
| Power supply | 6V CR-P2 Lithium battery |
| Output (max) | 800mA |
| Power consumption | < 80µA |
| Solenoid valve type | 6V Latching |
| Water Ingress | IP55 |
| Cable lengths | 400mm - Tap (metallic mass) connection 800mm - Solenoid valve connection |
| Sensor type | Capacitive |
| Default Mode | Proximity |
| Sensitivity (Proximity mode only) | 5 pre-settings (adjustable using AQUASTOP button) |
| Comfort delay | 1 sec |
| Security time-out | 60 sec |
| AQUASTOP Function | 30 sec |
| Operating Temperature | 0 to 40°C |
| Response Time (max) | < 300ms |

Installation requirements

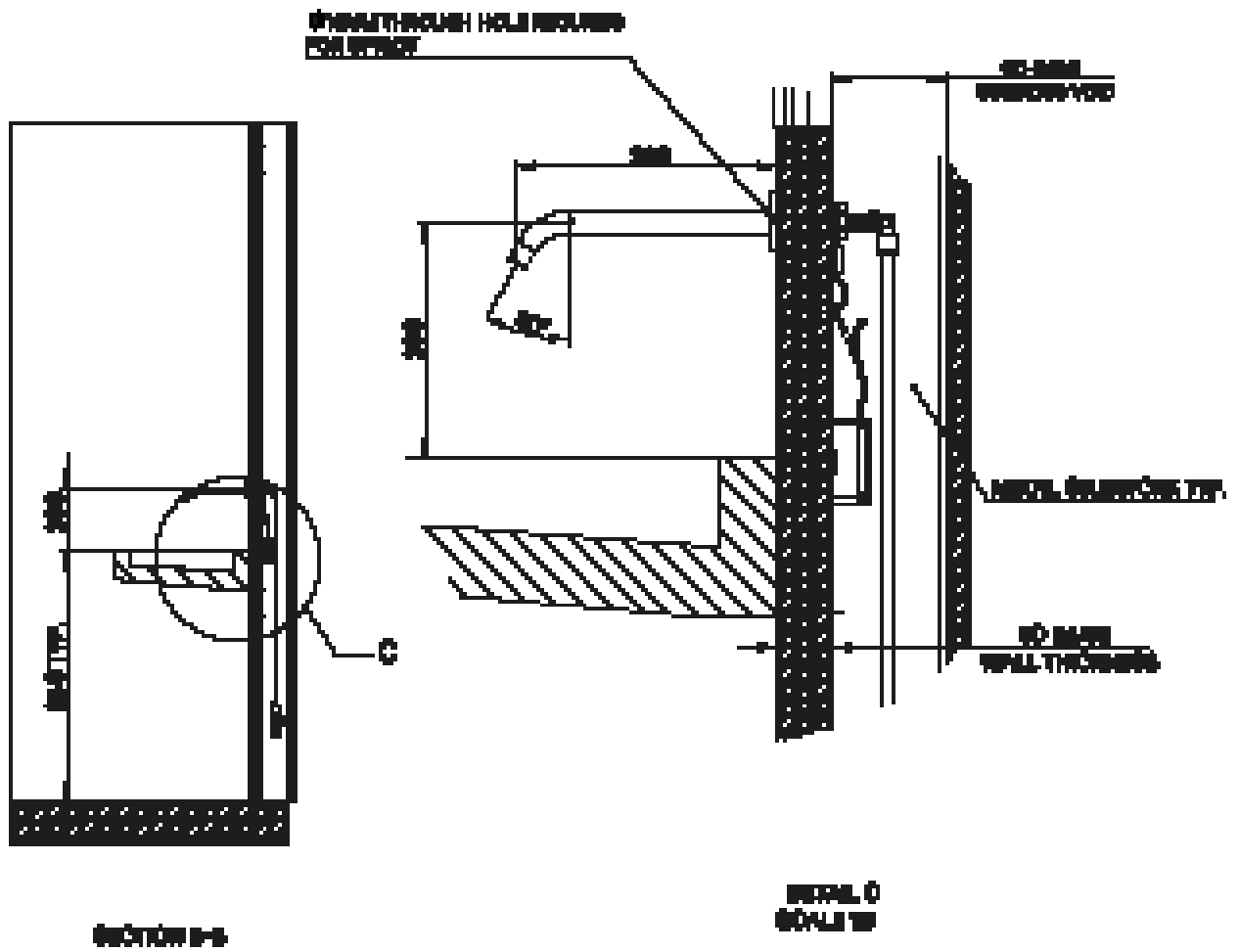
| | |
|----------------------------|---|
| Wall Cut-out Hole Size | Ø16mm (Spigot) |
| Depth of Wall Cavity (min) | 90mm |
| Wall Thickness (max) | 50mm (incl. nishes) |
| Plumbing Connection | ½" BSP (female) brass tting is required to connect to the solenoid valve housing WRAS |
| Power supply cable | To be hard wired in to fused connection unit (FCU) or spur |
| Water supply | 1.0 Bar is the recommended minimum pressure for the taps to operate effectively. 7.5 Bar is the maximum pressure for commissioning and is NOT recommended for general use Gravity-fed systems may require a booster pump to achieve the optimal operating pressure All pipework must be thoroughly cleaned and clear of any debris before connecting the tap |
| Washroom layout | Solenoid valve must be accessible for installation, commissioning and ongoing maintenance. |

Compliances & certificates

| | |
|----------------------------|---|
| BREEAM, LEED | |
| Depth of Wall Cavity (min) | Electromagnetic compatibility directive 2004/108/CE, and Low Voltage 2006/95/CR |
| WRAS | Certificate No 1809302 |

SIDE

DETAIL



Key Components / Spare Parts

Solenoid Connector Cable
TSLP.120032

Long Range IR Sensor
TSLP.260045

Mains Power Supply 6V
TSLP.270066

Solenoid Valve
TSLP.120030

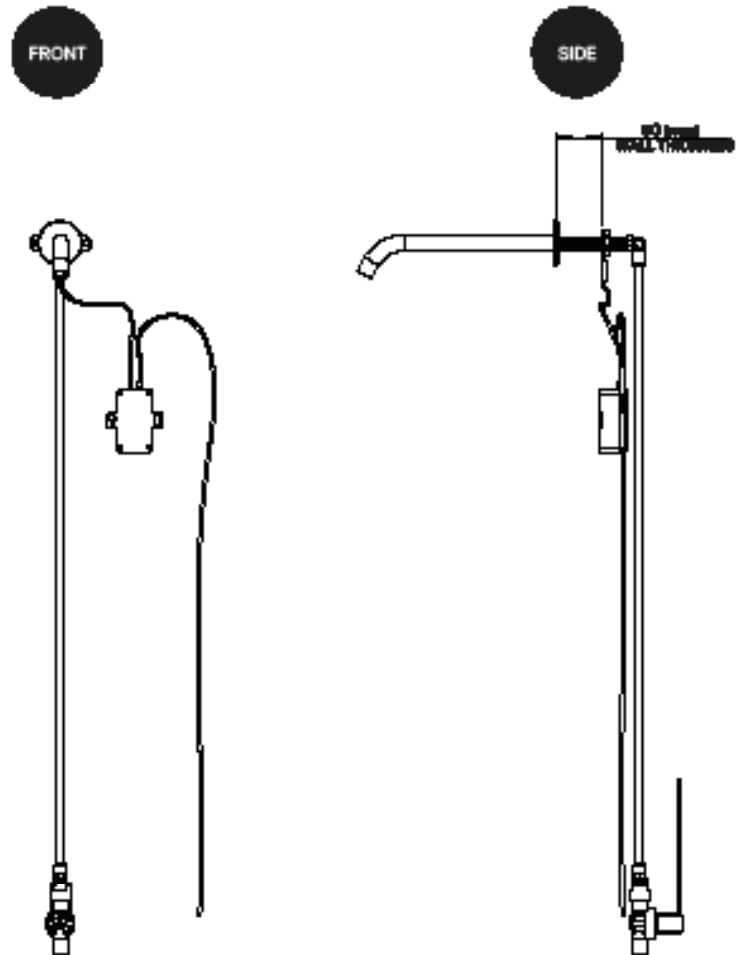
Aerator key
TSLP.260050

Aerator Cascade 3.8L/min Aerated
TSLP.260062

Aerator Cascade 1.89L/min Spray
TSLP.260063

Basket Filter For Solenoid Valve
TSLP.O8530015

+ Technical drawing



Optional Extras

Lithium Battery 6V
TSLP.270030

Capacitive System Box
TSLP.260020

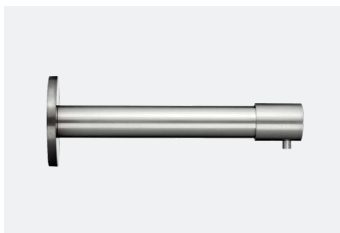
Aerator Cascade 1.35L/min Spray
TSLP.260051

Warranty & Spare parts

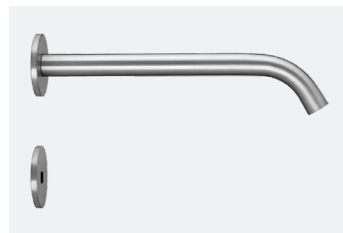
For warranty terms and conditions please visit www.thesplashlab.com

If additional spare parts are required and are not listed above, please contact us at info.uk@thesplashlab.com

Related products



Wall Mounted Manual Soap Dispenser
TSL.470



IR Sensor Tap
TSL.882



150mm IR Sensor Tap
TSL.884



The Monolith M Series - 450mm
TSL.M