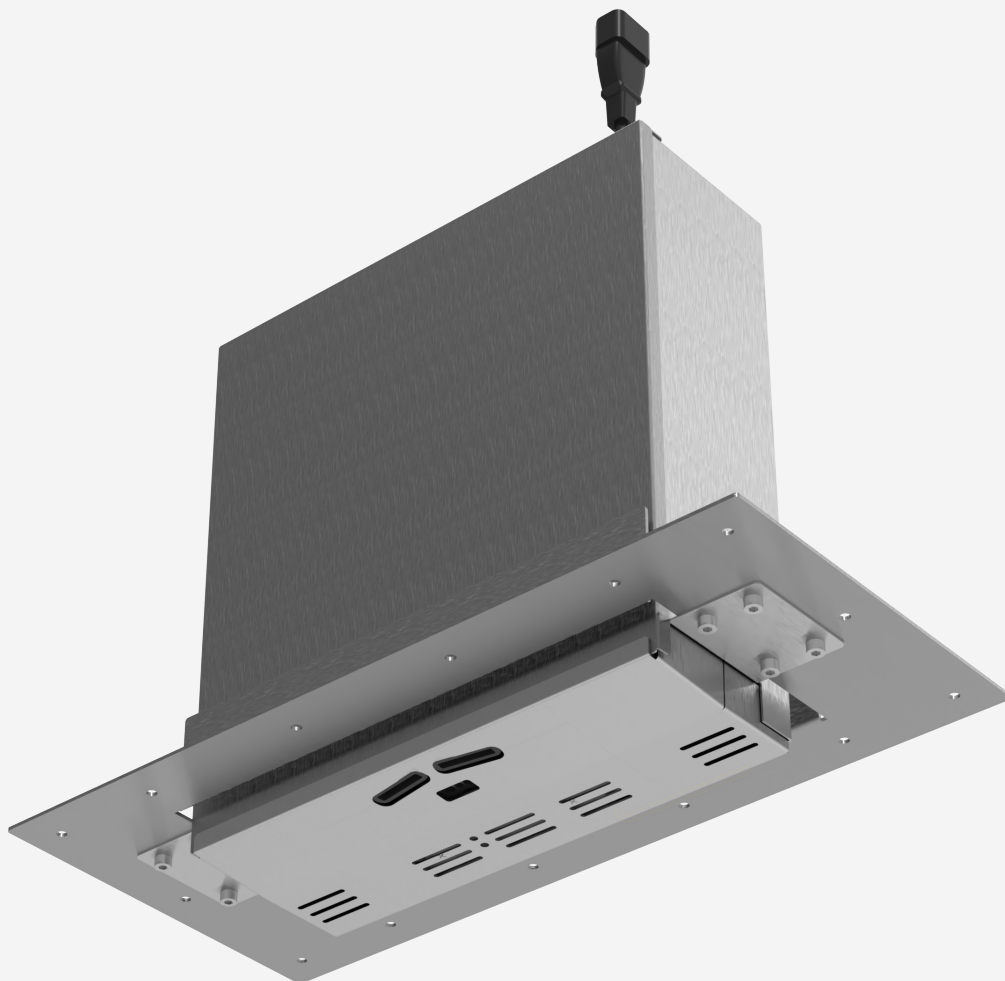


Hand Dryer

TSL.3012

The Splash Lab TSL.3012 is a slim-line high speed behind the mirror hand dryer with the advantage of a 15 second drying time and low running costs

+Satin



Technical Data

Power Consumption	0.84-1.0kW
Drying time	<15 seconds
Weight	4.9kg
Stainless steel	AISI 304
Noise levels	Min 69dB to 76.6dB Max @ 1 metre
Air speed	95-115m/s
Heating element	450W adjustable
Motor type	Brush type; dual ball-bearings
Motor power	350W – 500W
Motor	16,000 – 29,000 RPM variable speed
Air Flow	74m³/h
Sensor range	100 – 230mm variable; standard set at 170mm
Insulation	Class 1
IP rating	IP24
Warranty	1 Year parts and unlimited digital support (Motor brushes excluded as these are a wearing part, and dependent on usage.)

Installation requirements

Washroom layout	<p>Number of hand dryers to be fitted – for toilet areas with normal frequency; one dryer per two washbasins. In high-frequency use toilet areas; two dryers per 3 basins. In very high frequency use washrooms, one dryer per basin. Mounting template included with dryer.</p> <p>Ideal location – between washbasin and exit. If mounted over a washbasin, recommended minimum distance from dryer to basin should be 300mm.</p> <p>Dryer can be installed behind a mirror or cabinet, but must be accessible for maintenance. In this application, the dryer must be mounted with the base flush with the base of the mirror or cabinet so that the sensor is not obstructed.</p> <p>Recommended mounting substrate is a solid wall. If dryer is installed on a stud / plasterboard wall, sound levels are likely to exceed 78dB.</p>
-----------------	---

Compliance & certificates

CE

UL

RoHS

UKCA

Key Components/Spare Parts

Motor
TSLP.260040

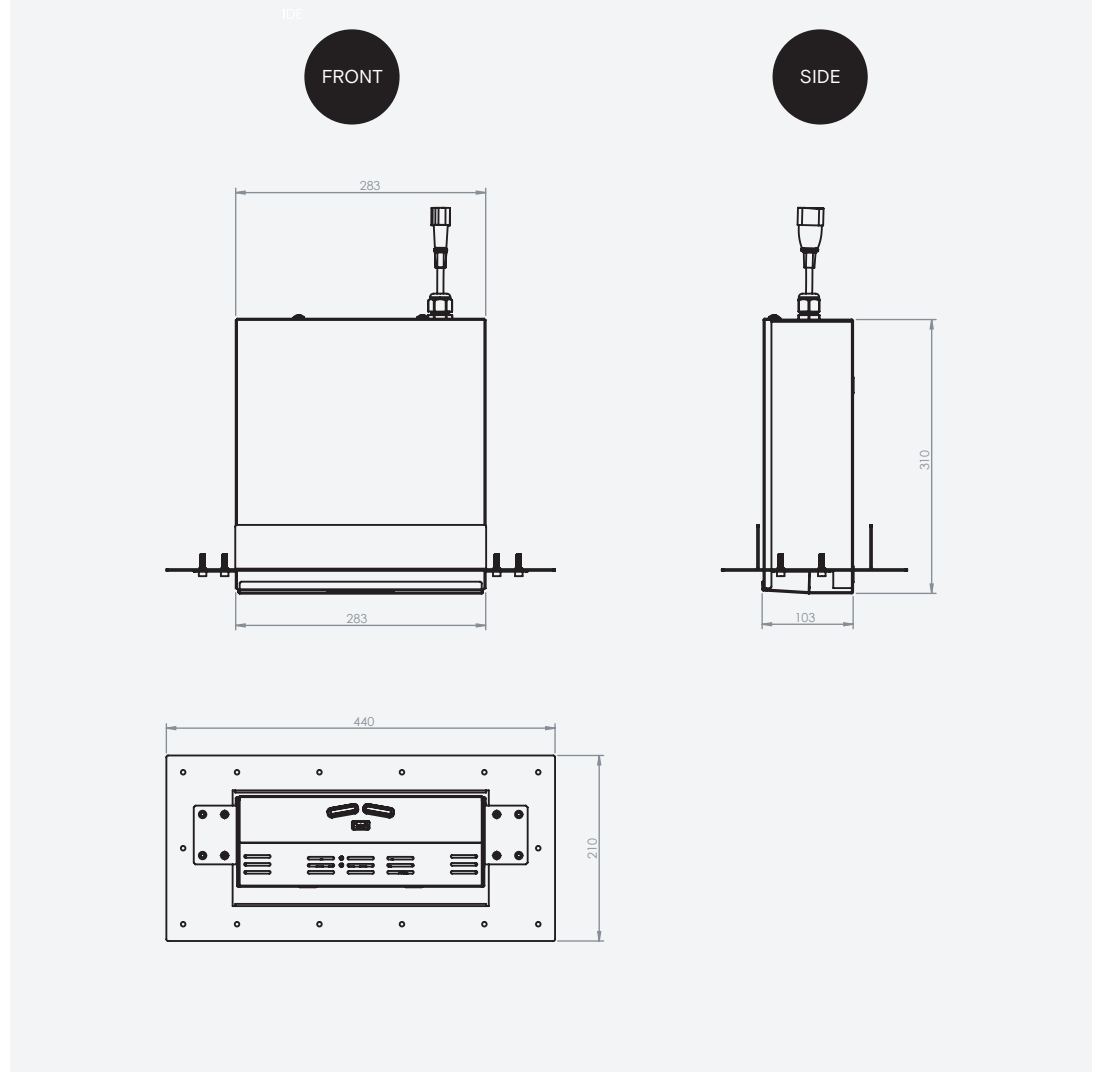
PCB (includes sensor)
TSLP.409498

Optional Extras

HEPA Filter Assembly
TSLP.20110

HEPA Filter Refill
TSLP.230330

+ Technical drawing



Warranty & Spare parts

For warranty terms and conditions please visit www.thesplashlab.com

If additional spare parts are required and are not listed above, please contact us at info.uk@thesplashlab.com

Related products



IR Sensor Tap
TSL.882



150mm IR Sensor Tap
TSL.884



Sensor Deck Mounted Tap / Small
TSL.990



Sensor Deck Mounted Tap / Large
TSL.960