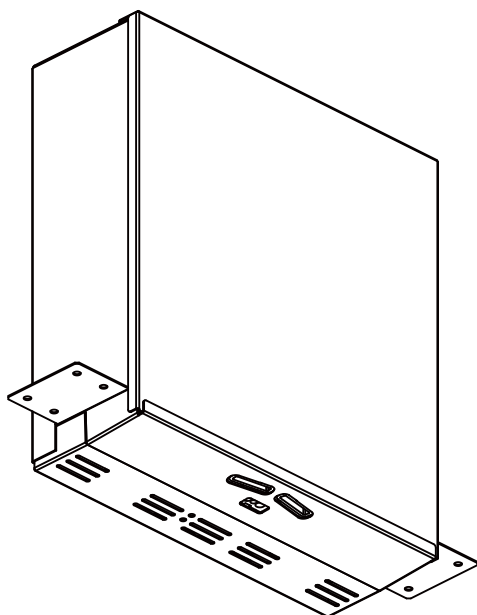


TSL.3012

hand dryer



installation + maintenance

+ THE
SPLASH
LAB

contents

3	Safety and Warnings
4	Box Contents
5	Technical Data
6	Before You Install
7	How to Install
10	Commissioning
12	Operation
13	Maintenance & Cleaning
14	Troubleshooting
16	Diagram
17	Spare Parts / Accessories
18	Warranty
19	Contact Details

TSL.3012 hand dryer

Read and save these instructions

WARNING 

To reduce the risk of fire, electric shock or injury to persons, observe the following:

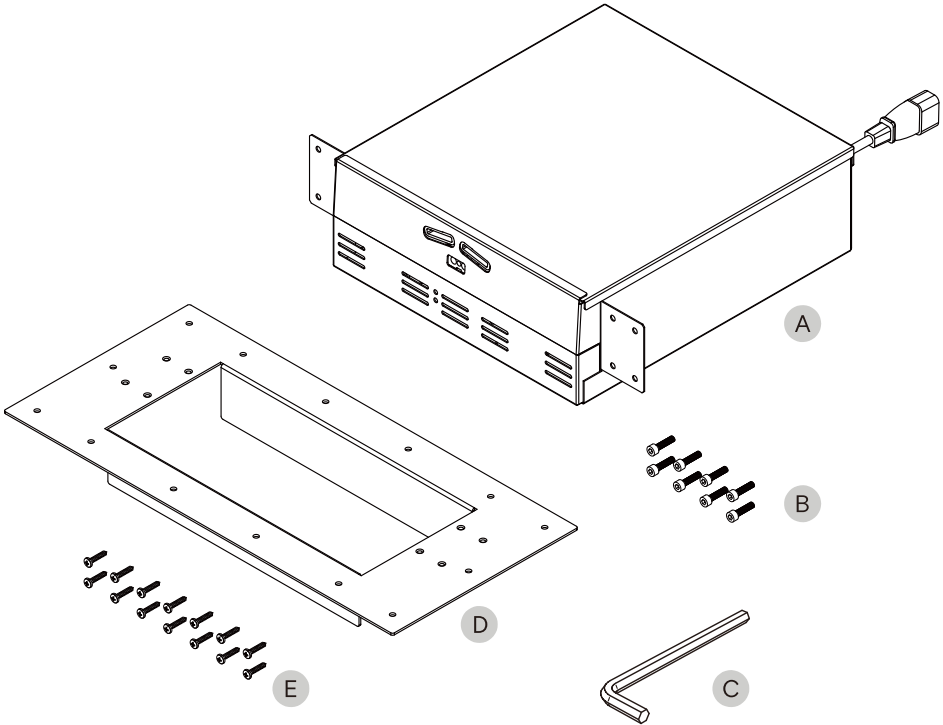
- + This product is not intended for use in a domestic or residential application.
- + The dryer must be installed in accordance with the electrical installation regulations in force at the time of installation.
- + The hand dryer must be earthed.

For more information contact:

Tel: +44 (0) 161 482 7000

Email: Info.uk@thesplashlab.com

box contents



M5 x 20 Socket Cap Head Screws

A	TSL.3012 Hand Dryer
B	M5x20 Socket Cap Head Screws (8 reqd.)
C	Security hex wrench
D	Bracket
E	5x25 Screws (14 reqd.)

technical data

Finishes	CS (Brushed satin stainless steel)
Voltage	220-240V ac; 50/60Hz
Current	3.8-4.2A
Power consumption	0.84-1.0kW
Standby power	0.3-0.4kW
Drying time	<15 seconds
Weight	4.9kg
Material	304 Stainless steel
Noise levels	Min 69dB to 76.6dB Max @ 1 metre
Heating element	450W
Motor type	Brush type; dual ball bearings;
Motor power	500-350W
Motor speed	16,000-29,000 RPM variable speed
Air speed	95-115 m/s
Air flow	74 m ³ /h
Circuit operation	Infrared automatic, self-adjusting
Sensor range	100-230mm variable; standard set at 17cm
Security cut-off time	60 seconds
Motor thermal protection	Auto resetting thermostat set at 95°C
Heater thermal protection	Auto resetting thermostat set at 85°C Thermal cutout fuse set to 142°C
Insulation	Class 1
IP rating	IP24
Approvals	CE
Warranty	One year limited warranty (Motor brushes excluded as these are a wearing part, and dependent on usage)

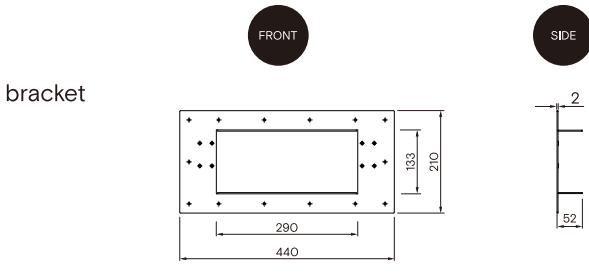
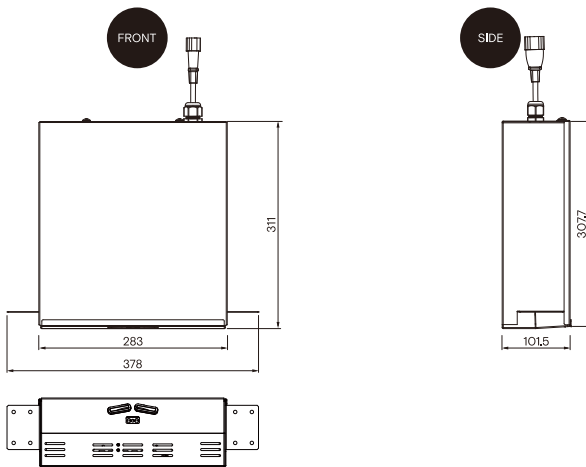
before you install

Location

The dryer should typically be installed between the wash basin and the washroom exit. If the dryer is to be mounted over a washbasin or horizontal surface, the recommended minimum distance from dryer to basin should be 400mm. The dryer can be installed behind a mirror or cabinet, but must be accessible for maintenance. In this application, the dryer must be mounted with the base flush with the base of the cabinet so that the sensor is not obstructed.

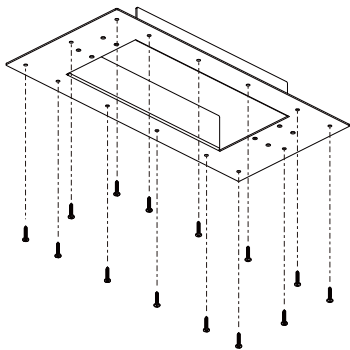
Power supply

A fused 13A power supply is required for connection to the dryer.



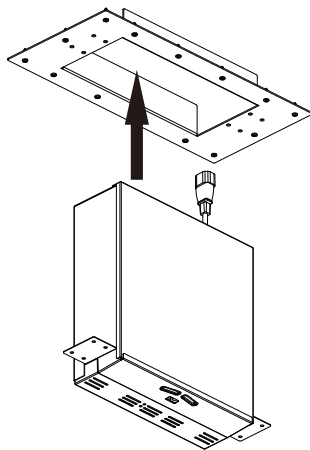
bracket

how to install



1

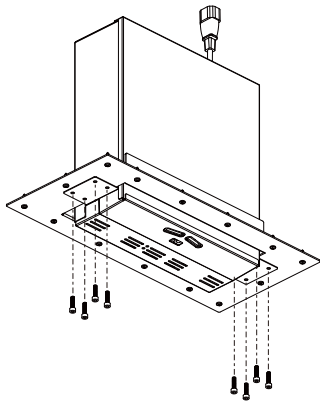
Place the bracket at the installation location and fasten with the 5x25 screws (14 reqd.).



2

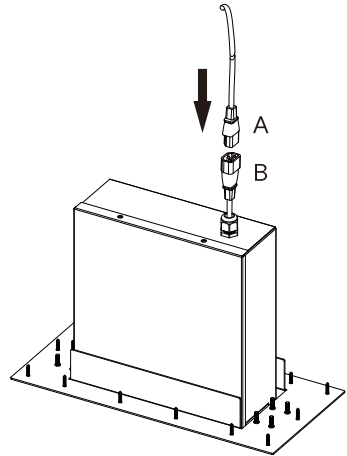
Insert the dryer through the bracket.

how to install



3

Fasten the dryer to the bracket with the M5x20 Socket Cap Head Screws (8 reqd.).

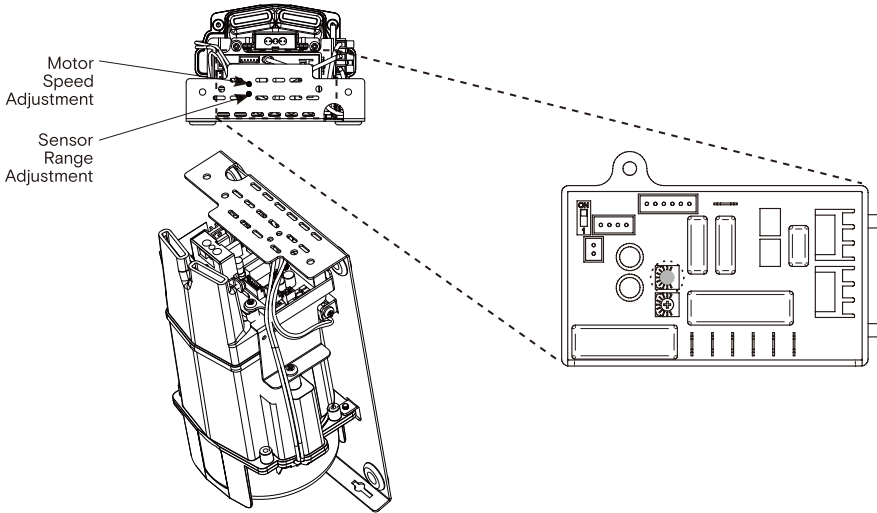


4

First connect the power cable with male connector (A) to the power source, then connect it to the power cable on the dryer (B).

commissioning

Turn on the power supply to the dryer, and then test that the dryer will operate when the user's hands are placed within the detection range.



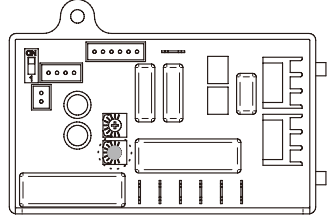
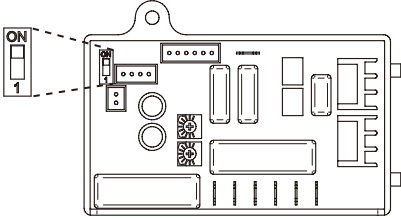
Location of adjustment screws

The air speed and the sensor detection range can be adjusted if necessary. The adjuster screws are located on the control module, and can be accessed through the dryer base-p.

Warm air speed adjustment

1. Switch off the power, loosen the cover screws and remove the cover.
2. Use small Phillips head screwdriver or small instrument screwdriver to turn variable resistor shaft. Clock-wise [CW] to increase power to maximum (+) ↻, turn tool gently [CCW] to reduce power as required (-) ↻.



commissioning



Heater Element Switch ON/ OFF

1. Switch off the power, loosen the cover screws and remove the cover.
2. Adjust the heater switch on the PCB with a small plastic or wood flat blade probe.
 - 2-1. Slide the switch to “ON” :
Enables heater.
 - 2-2. Slide the switch to “1” :
Disables heater.

Sensor range adjustment

1. The range is 100mm to 230mm, standard setting is 170mm \pm 20mm.
2. Clockwise: Increases the sensing range(+).
3. Counterclockwise: Decreases the sensing range(-).
- 4. DO NOT OVERTURN !**

operation

- + The user is to shake excess water off their hands.
- + The user then places their hands within the detection range of the sensor on the underside the dryer to activate the hand dryer.
- + The motor will start and air is blown onto the user's hands.
- + The motor will stop when the user's hands are removed from the detection range.

maintenance & cleaning

How to clean the inside of the case and how regularly

- + Please cut off the power, remove the cover and use dry cloth, soft brush or air duster gun to wipe away the dusts inside. It is recommended to clean the inside of the dryer every six months, depending on the frequency of usage and environment.
-

How to clean the cover/case and how regularly

- + Please cut off the power and use a clean cloth to wipe away the dusts outside the case or use a damp cloth to clean the case. It is recommended to clean the case every six months, depending on the frequency of usage and environment.
-

What to use when cleaning the unit, inside and out

- + For the inside, please clean it only with a dry cloth, soft brush or air duster gun. For the outside, please clean it with a damp cloth and water; mild cleaning solution can be used if needed.
-

What should NOT be used

- + Do not use steel brush or abrasive that could scratch the cover.
-

Cleaning around the dryer setting which could affect the dryer

- + Dusts and objects around dryer could affect the air intake and the performance of motor, therefore, please do keep the environment tidy.
-

troubleshooting

Corrective Actions for Initial Installation Failures

If the dryer will not run:

- + First ensure that the breaker supplying the dryer is operational. If it is, disconnect the power and remove the dryer cover. Taking suitable precautions to avoid shock hazard, reconnect the power and check for voltage at the terminal block. Verify that connections are made correctly.
-

The dryer cycles by itself or runs constantly:

- + Ensure that there is no obstruction on or in front of the IR sensor. Clean any dirt or debris off the sensor lens. If problem persists, replace sensor.
-

The dryer makes a loud noise and does not run for a complete cycle:

- + Ensure that the supply voltage is correct. Dryer will make a loud humming noise if the input voltage is too high. Verify voltage requirement on unit rating label and correct supply as required. (If circuit board module has been damaged, replace it and the infra-red sensor module.)
-

The dryer runs but air stream is low pressure and/or low velocity:

- + Ensure that the supply voltage is correct. Dryer will run weakly if the input voltage is too low. Verify voltage requirement on unit rating label and correct supply as required.
-

We are always looking to improve. If these did not solve your problem please contact us and we will endeavour to help.

Tel: +44 (0) 161 482 7000

Email: Info.uk@thesplashlab.com

Corrective Actions for Initial Installation Failures

If the dryer will not run:

- + First ensure that the breaker supplying the dryer is operational. If it is, disconnect the power and remove the dryer cover. Replace the CBM and IR sensor module. Taking suitable precautions to avoid shock hazard, reconnect the power and check for Voltage at the terminal block.
-

The IR sensor only sees close range objects:

- + Ensure that there is no obstruction on or in front of the IR sensor. Clean any dirt or debris off the sensor lens. Check variable resistor for sensor range setting. If problem persists, disconnect the power and remove the dryer cover and replace CBM, IR sensor module.
-

The heater gets hot but no air stream is produced:

- + Disconnect the power. Remove the dryer cover. Check variable resistor for speed setting. Disassemble the blower- motor/ fan housing. Replace the fan motor. Reassemble.
-

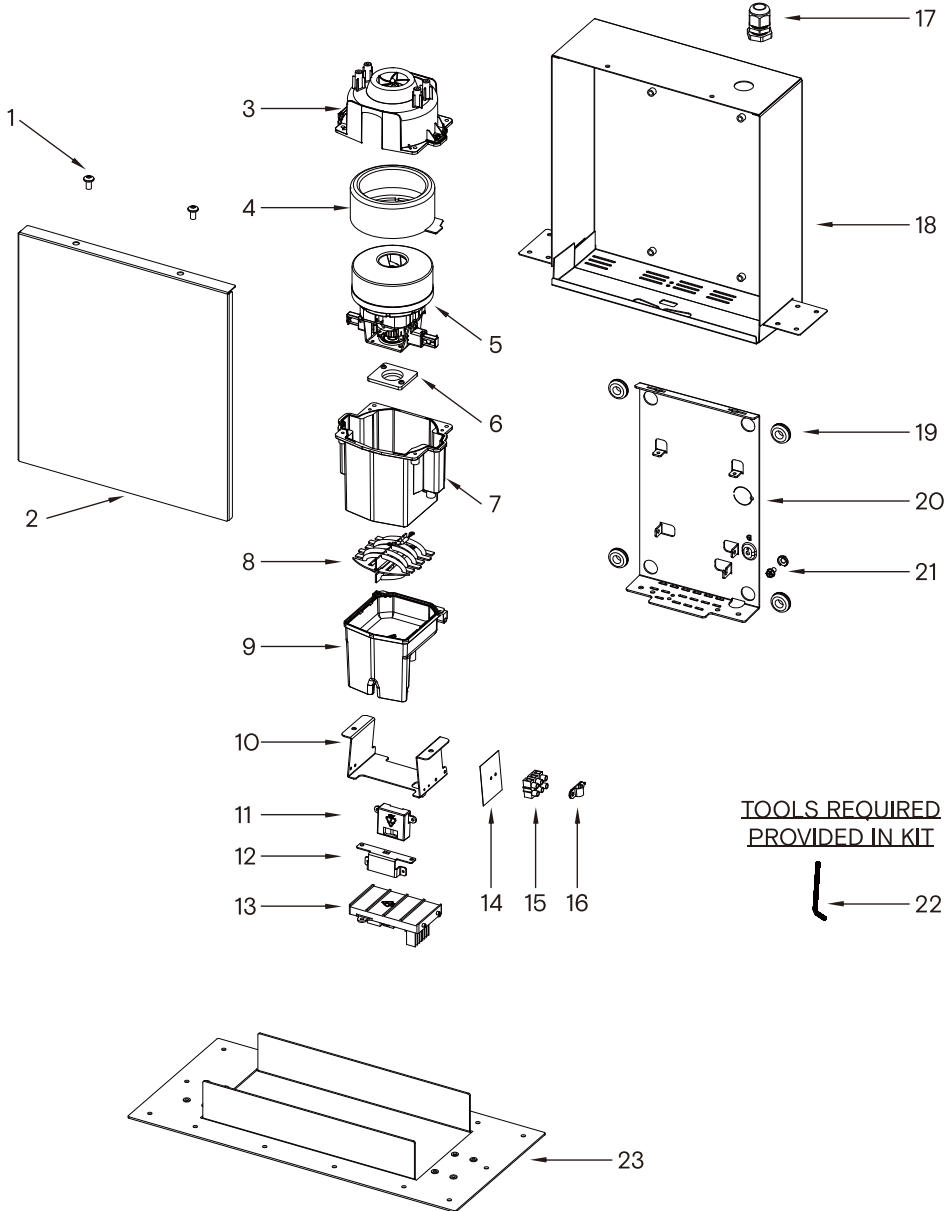
The dryer only blows cold air during a full cycle:

- + Disconnect the power. Remove the dryer cover and check/ ensure heater switch is ON. Disassemble the blower-motor/fan housing. Test the thermostat for open circuit. Check the heater element for signs of burning or breakage. Damaged element must be replaced.
-

The air stream is low pressure and velocity:

- + Check the output nozzle for obstructions, If none are present, disconnect the power. Remove the dryer cover. Remove any dust/lint buildup from intake vent slots. Check VR for speed setting. Disassemble the blower / motor / fan housing. Check the motor brushes for worn condition (6mm graphite remains) and replace them, if necessary. Check motor brushes for wear; if less than 6mm is remaining, replace brushes.
-

diagram



TOOLS REQUIRED
PROVIDED IN KIT

spare parts & accessories

Spare parts

1	Security hex screw (2 reqd.)	17	Cable holder
2	Stainless Steel - Satin finish	18	Casing
3	Blower housing - Top	19	Rubber grommet - Base (4 reqd.)
4	Motor rubber - Large	20	Base plate
5	Motor	21	Grounding screw
6	Motor rubber - Small	22	Security hex wrench
7	Blower housing - Bottom	23	Bracket
8	Heater assembly		
9	Air outlet		
10	Air outlet bracket		
11	Sensor module		
12	Sensor bracket		
13	Circuit Board Module		
14	Mylar shield with LNG marked		
15	Terminal block		
16	Cable clamp		

**If further information is required,
contact The Splash Lab team
for more detailed guidelines.**

warranty

We believe the future is personal. With a global mindset, we challenge conventional restroom norms via product innovation to create considered washroom solutions for corporate and educational spaces. We use rich raw materials, cutting-edge automation and considered washroom design to powerfully and positively influence the lives of people. We are The Splash Lab.

Demonstrating our commitment to quality and our belief in the strength of our designs, we can offer the following warranties.

The Splash Lab will warrant that its products will be free of manufacturing and material defects during normal use and environmental conditions as detailed below:

One year limited warranty

If a defect is found in normal use, The Splash Lab will, at their discretion, repair, provide a replacement part or product, or make appropriate adjustments. Damage caused by accident, misuse, or abuse is not covered by this warranty. Improper care and cleaning will void the warranty.

Non-operation of the product due to environmental conditions beyond our control, installation error, incorrect maintenance, water quality, fair wear and tear, incorrect or inappropriate installation, misuse and abuse is not covered by the warranty.

Proof of purchase (original sales receipt) must be provided to The Splash Lab with all warranty claims.

The above warranty is valid for goods supplied within the United Kingdom.

For goods supplied outside of the United Kingdom, The Splash Lab will honour the above stated warranty periods for the parts only.

THE SPLASH LAB DISCLAIMS ANY LIABILITY FOR SPECIAL, INCIDENTAL OR CONSEQUENTIAL DAMAGES.

The Product falls within the scope of the Waste Electrical & Electronic Equipment Directive 2012/19/EU (WEEE)



NOTE: This Product should not be disposed of with household waste.
Please recycle where facilities exist.
Check with your local authority for recycling advice.

contact



General information

Info.uk@thesplashlab.com
+44 (0) 161 482 7000

Technical support

Info.uk@thesplashlab.com

For further contact information visit:

www.thesplashlab.com

