

# The Aerofoil

The Aerofoil is a single-plane sink system with a proprietary in-wall support system. Crafted from solid surface, the washplane can be specified in a wide range of finishes to suit any project.

**+ TSL.AERO6**



**+ TSL.AERO30**



**+ TSL.AERO24**



**+ TSL.AERO18**



**+ TSL.AERO12**



Variant code	Size	Users
TSL.AERO6	600 x 525	1
TSL.AERO12	1200 x 525	2
TSL.AERO18	1800 x 525	3
TSL.AERO24	2400 x 525	4
TSL.AERO30	30000 x 525	5

#### Technical Data

Warranty	10 year material warranty	1 year mechanical warranty
Washplane Material	Uqnf"Uwthceg	
Support System	Mild steel, Stainless steel, Aluminium and PVC	
Colours	Refer to colour range	

#### Installation requirements

Wall construction	Brackets included. Installer should ascertain that wall construction is sufficiently designed to support the Aerofoil.
Fixed height	See Drawing
Wall Fixings	Must be fixed to a suitable wall substrate to allow for the correct use of the Aerofoil. The Splash Lab recommend that installers contact a fixings specialist for advice to ensure the correct fixings are used for the location. Wall fixings are not included with the Aerofoil
Plumbing	Connection to 1" waste outlet required. (one connection per user) Installer to provide water for faucets. See separate datasheet for The Splash Lab
Access requirements	Solenoid and isolation valves must be accessible for initial installation & commissioning and for ongoing and routine maintenance.

#### Compliance & certificates

DDA	DDA compliant when installed correctly
IPC	2021, 2018, 2015, 2012 and 2009
IRC	2021, 2018, 2015, 2012 and 2009
NPC	2015, 2010 and 2005
LEED	Solid surface products contribute to LEED v.4 points for Indoor Air Quality
CSA	B45.5 / IAPMO Z124-2017 - Plastic Plumbing Fixtures

### Included

Washplane

Washplane extrusion

PVC gully extrusion

Grate housing extrusion

Sprung steel grate

Waste support bracket

Waste funnel

Leg assembly w/ clamp block

### Not included

Tap

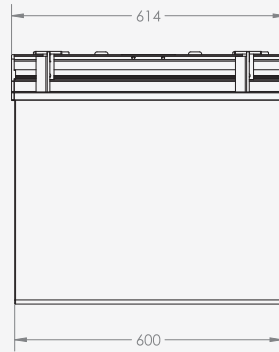
Mounting hardware

### Warranty

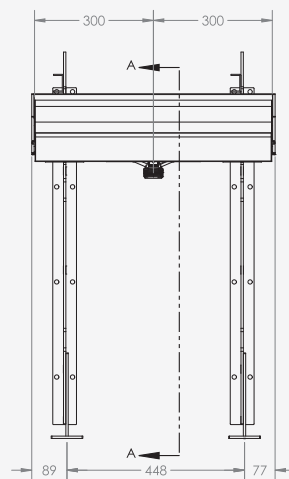
10 year material warranty

1 year mechanical warranty

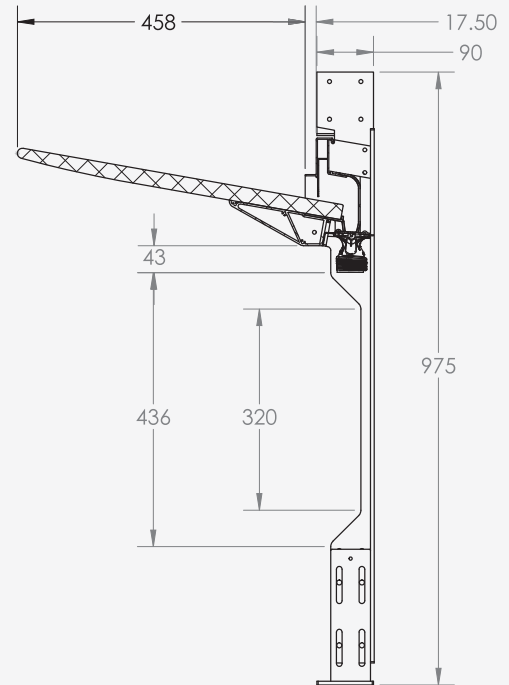
### + Technical drawing



PLAN



ELEVATION



SECTION

### Spare parts

If a situation arises where you require replacement components outside of a maintenance contract, there may be provision to obtain spare parts. Providing the components are under warranty and the parts have become non-functioning during normal use within their assumed usable life, they may be replaced. Should a replacement mains power supply be required it is imperative that an identical type is used. Contact **The Splash Lab** for further information.

### Related products



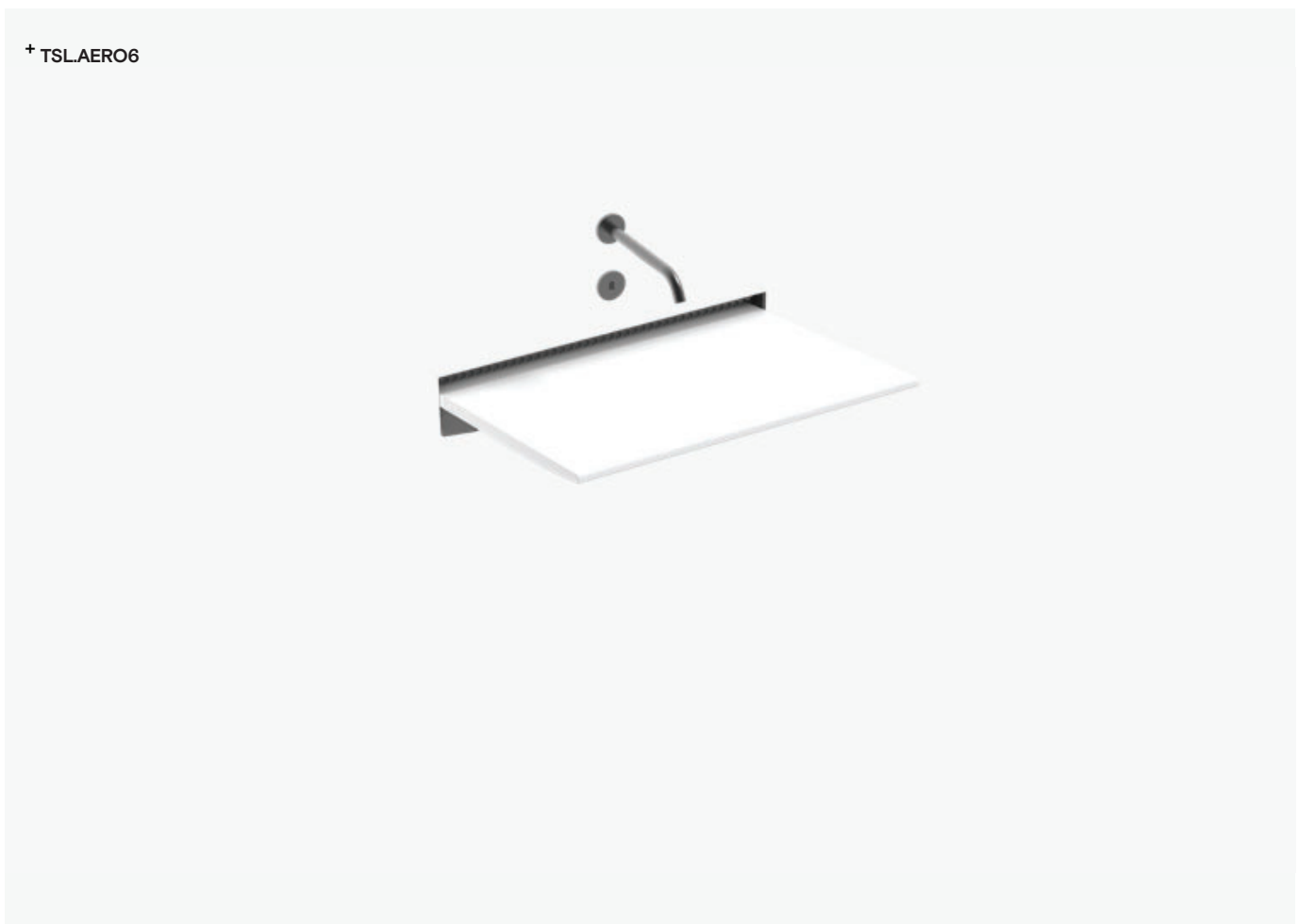
**The Radius Sensor Tap**  
TSL::4



**The Radius Soap Dispenser**  
TSL.689

# The Aerofoil

The Aerofoil is a single-plane sink system with a proprietary in-wall support system. Crafted from solid surface, the washplane can be specified in a wide range of finishes to suit any project.



Variant code	Size (mm)	Users
TSLAERO6	600 x 525	1

#### Technical Data

Warranty	10 year material warranty	1 year mechanical warranty
Washplane Material	Solid Surface	
Support Frame	Mild steel, Stainless steel, Aluminium and PVC	
Colours	Refer to colour range	

#### Installation requirements

Wall construction	Frame included. Installer should ascertain that wall construction is sufficiently designed to support the Aerofoil
Fixed height	See Drawing
Wall Fixings	Must be fixed to a suitable wall substrate to allow for the correct use of the Aerofoil. The Splash Lab recommend that installers contact a fixings specialist for advice to ensure the correct fixings are used for the location. Wall fixings are not included with the Aerofoil.
Plumbing	Connection to 1 ¼" waste outlet required. (one connection per user) Installer to provide water for taps. See separate datasheet for The Splash Lab sensor taps.
Access requirements	Solenoid and isolation valves must be accessible for initial installation & commissioning and for ongoing and routine maintenance.

#### Compliance & certificates

DDA	DDA compliant when installed correctly
IPC	2021, 2018, 2015, 2012 and 2009
IRC	2021, 2018, 2015, 2012 and 2009
NPC	2015, 2010 and 2005
LEED	Solid surface products contribute to LEED v.4 points for Indoor Air Quality
CSA	B45.5 / IAPMO Z124-2017 - Plastic Plumbing Fixtures

Continued on next page

### Included

Washplane

Washplane extrusion

PVC gully extrusion

Grate housing extrusion

Sprung steel grate

Waste support bracket

Waste funnel

Leg assembly w/ clamp block

### Not included

Tap

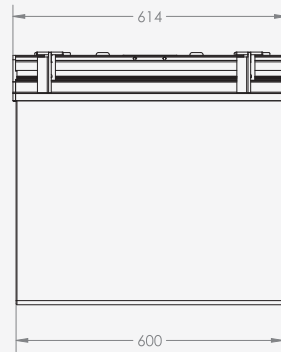
Mounting hardware

### Warranty

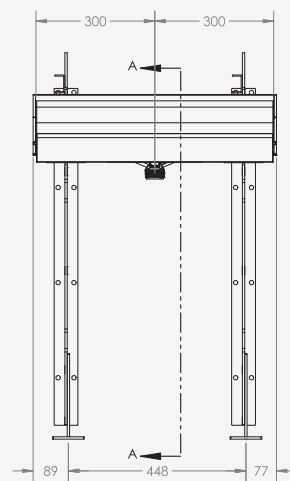
10 year material warranty

1 year mechanical warranty

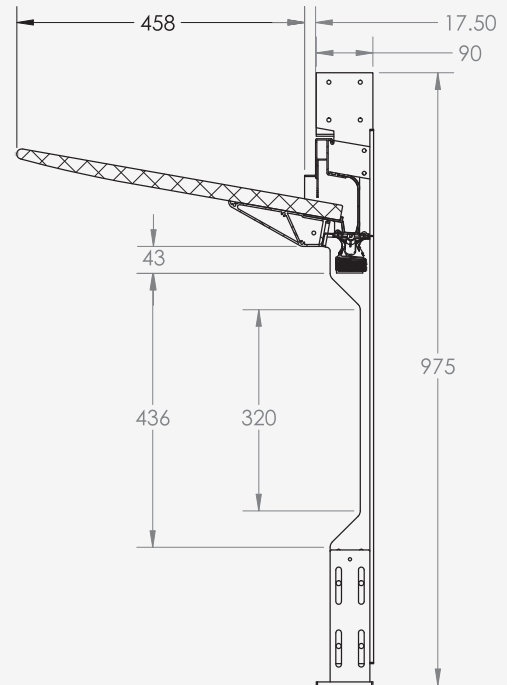
### + Technical drawing



PLAN



ELEVATION



SECTION

### Spare parts

If a situation arises where you require replacement components outside of a maintenance contract, there may be provision to obtain spare parts. Providing the components are under warranty and the parts have become non-functioning during normal use within their assumed usable life, they may be replaced. Should a replacement mains power supply be required it is imperative that an identical type is used. Contact **The Splash Lab** for further information.

### Related products



**The Radius Sensor Tap**  
TSL.4



**The Radius Soap Dispenser**  
TSL.689

# The Aerofoil

The Aerofoil is a single-plane sink system with a proprietary in-wall support system. Crafted from solid surface, the washplane can be specified in a wide range of finishes to suit any project.



Variant code	Size (mm)	Users
TSLAERO12	1200 x 525	2

#### Technical Data

Warranty	10 year material warranty	1 year mechanical warranty
Washplane Material	Solid Surface	
Support Frame	Mild steel, Stainless steel, Aluminium and PVC	
Colours	Refer to colour range	

#### Installation requirements

Wall construction	Frame included. Installer should ascertain that wall construction is sufficiently designed to support the Aerofoil
Fixed height	See Drawing
Wall Fixings	Must be fixed to a suitable wall substrate to allow for the correct use of the Aerofoil. The Splash Lab recommend that installers contact a fixings specialist for advice to ensure the correct fixings are used for the location. Wall fixings are not included with the Aerofoil.
Plumbing	Connection to 1 ¼" waste outlet required. (one connection per user) Installer to provide water for taps. See separate datasheet for The Splash Lab sensor taps.
Access requirements	Solenoid and isolation valves must be accessible for initial installation & commissioning and for ongoing and routine maintenance.

#### Compliance & certificates

DDA	DDA compliant when installed correctly
IPC	2021, 2018, 2015, 2012 and 2009
IRC	2021, 2018, 2015, 2012 and 2009
NPC	2015, 2010 and 2005
LEED	Solid surface products contribute to LEED v.4 points for Indoor Air Quality
CSA	B45.5 / IAPMO Z124-2017 - Plastic Plumbing Fixtures

Continued on next page



**Included**

- Washplane
- Washplane extrusion
- PVC gully extrusion
- Grate housing extrusion
- Sprung steel grate
- Waste support bracket
- Waste funnel
- Leg assembly w/ clamp block

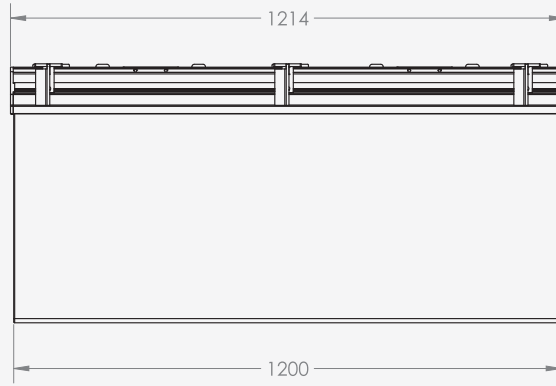
**Not included**

- Tap
- Mounting hardware

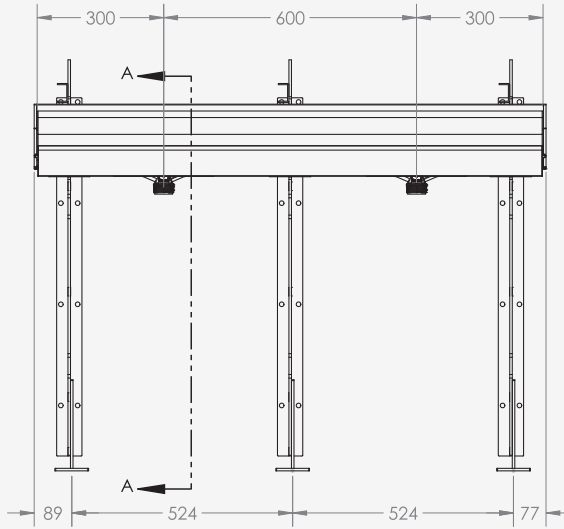
**Warranty**

- 10 year material warranty
- 1 year mechanical warranty

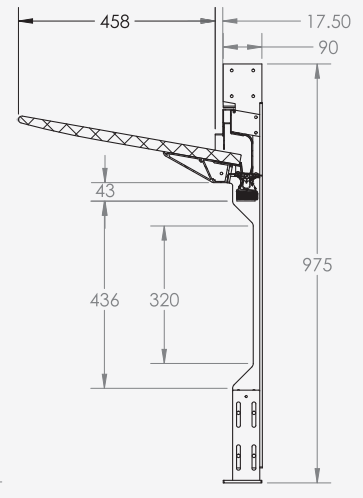
**+ Technical drawing**



**PLAN**



**ELEVATION**



**SECTION**

**Spare parts**

If a situation arises where you require replacement components outside of a maintenance contract, there may be provision to obtain spare parts. Providing the components are under warranty and the parts have become non-functioning during normal use within their assumed usable life, they may be replaced. Should a replacement mains power supply be required it is imperative that an identical type is used. Contact **The Splash Lab** for further information.

**Related products**



**The Radius Sensor Tap**  
TSL.4



**The Radius Soap Dispenser**  
TSL.689

# The Aerofoil

The Aerofoil is a single-plane sink system with a proprietary in-wall support system. Crafted from solid surface, the washplane can be specified in a wide range of finishes to suit any project.



Variant code	Size (mm)	Users
TSLAERO18	1800 x 525	3

#### Technical Data

Warranty	10 year material warranty	1 year mechanical warranty
Washplane Material	Solid Surface	
Support Frame	Mild steel, Stainless steel, Aluminium and PVC	
Colours	Refer to colour range	

#### Installation requirements

Wall construction	Frame included. Installer should ascertain that wall construction is sufficiently designed to support the Aerofoil
Fixed height	See Drawing
Wall Fixings	Must be fixed to a suitable wall substrate to allow for the correct use of the Aerofoil. The Splash Lab recommend that installers contact a fixings specialist for advice to ensure the correct fixings are used for the location. Wall fixings are not included with the Aerofoil.
Plumbing	Connection to 1 ¼" waste outlet required. (one connection per user) Installer to provide water for taps. See separate datasheet for The Splash Lab sensor taps.
Access requirements	Solenoid and isolation valves must be accessible for initial installation & commissioning and for ongoing and routine maintenance.

#### Compliance & certificates

DDA	DDA compliant when installed correctly
IPC	2021, 2018, 2015, 2012 and 2009
IRC	2021, 2018, 2015, 2012 and 2009
NPC	2015, 2010 and 2005
LEED	Solid surface products contribute to LEED v.4 points for Indoor Air Quality
CSA	B45.5 / IAPMO Z124-2017 – Plastic Plumbing Fixtures

Continued on next page

**Included**

- Washplane
- Washplane extrusion
- PVC gully extrusion
- Grate housing extrusion
- Sprung steel grate
- Waste support bracket
- Waste funnel
- Leg assembly w/ clamp block

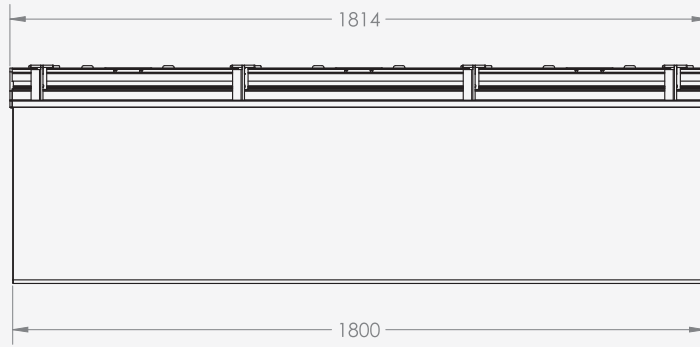
**Not included**

- Tap
- Mounting hardware

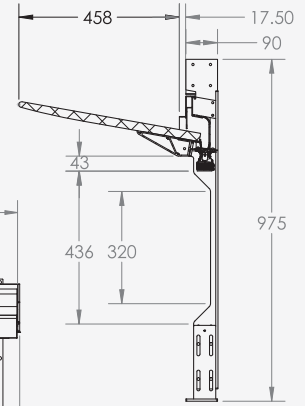
**Warranty**

- 10 year material warranty
- 1 year mechanical warranty

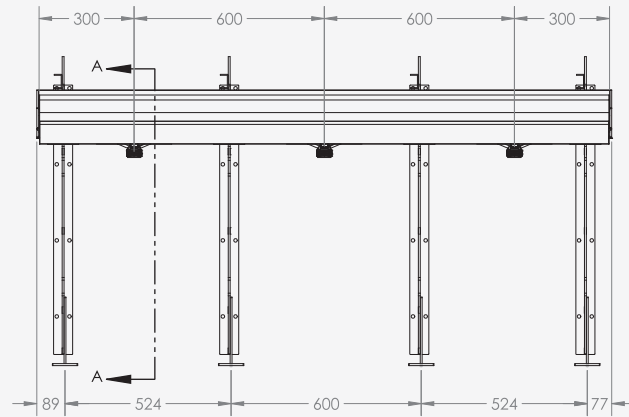
**+ Technical drawing**



**PLAN**



**SECTION**



**ELEVATION**

**Spare parts**

If a situation arises where you require replacement components outside of a maintenance contract, there may be provision to obtain spare parts. Providing the components are under warranty and the parts have become non-functioning during normal use within their assumed usable life, they may be replaced. Should a replacement mains power supply be required it is imperative that an identical type is used. Contact **The Splash Lab** for further information.

**Related products**



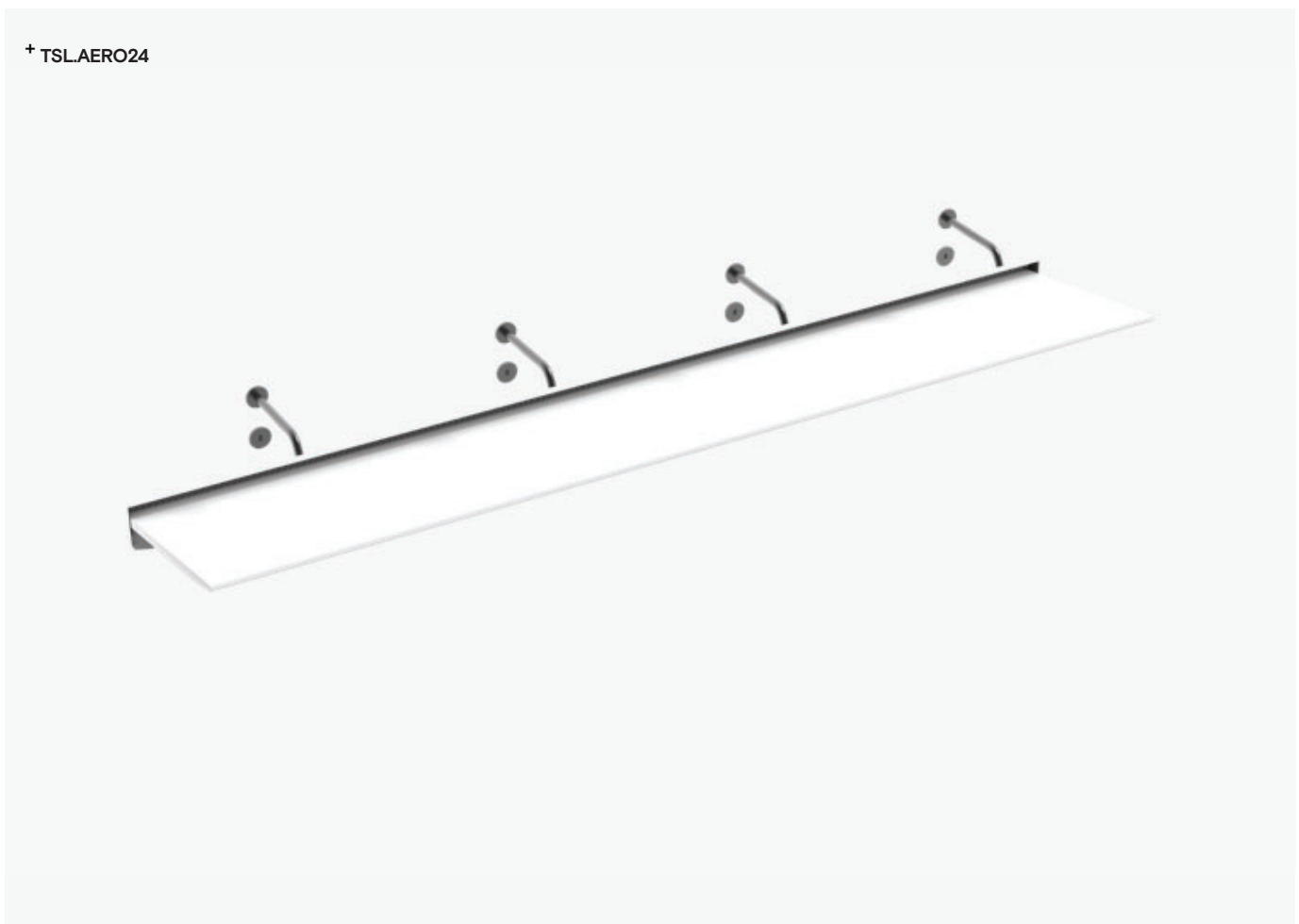
**The Radius Sensor Tap**  
TSL::4



**The Radius Soap Dispenser**  
TSL.689

# The Aerofoil

The Aerofoil is a single-plane sink system with a proprietary in-wall support system. Crafted from solid surface, the washplane can be specified in a wide range of finishes to suit any project.



Variant code	Size (mm)	Users
TSLAERO24	2400 x 525	4

#### Technical Data

Warranty	10 year material warranty	1 year mechanical warranty
Washplane Material	Solid Surface	
Support Frame	Mild steel, Stainless steel, Aluminium and PVC	
Colours	Refer to colour range	

#### Installation requirements

Wall construction	Frame included. Installer should ascertain that wall construction is sufficiently designed to support the Aerofoil
Fixed height	See Drawing
Wall Fixings	Must be fixed to a suitable wall substrate to allow for the correct use of the Aerofoil. The Splash Lab recommend that installers contact a fixings specialist for advice to ensure the correct fixings are used for the location. Wall fixings are not included with the Aerofoil.
Plumbing	Connection to 1 ¼" waste outlet required. (one connection per user) Installer to provide water for taps. See separate datasheet for The Splash Lab sensor taps.
Access requirements	Solenoid and isolation valves must be accessible for initial installation & commissioning and for ongoing and routine maintenance.

#### Compliance & certificates

DDA	DDA compliant when installed correctly
IPC	2021, 2018, 2015, 2012 and 2009
IRC	2021, 2018, 2015, 2012 and 2009
NPC	2015, 2010 and 2005
LEED	Solid surface products contribute to LEED v.4 points for Indoor Air Quality
CSA	B45.5 / IAPMO Z124-2017 – Plastic Plumbing Fixtures

Continued on next page

**Included**

- Washplane
- Washplane extrusion
- PVC gully extrusion
- Grate housing extrusion
- Sprung steel grate
- Waste support bracket
- Waste funnel
- Leg assembly w/ clamp block

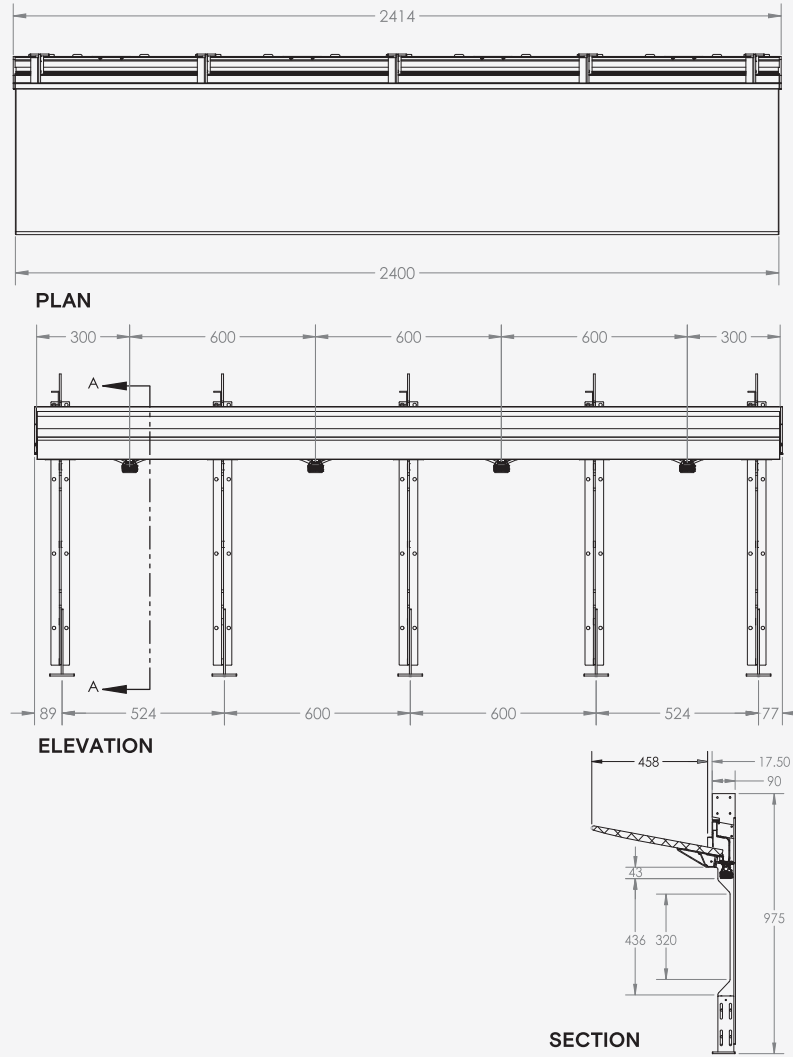
**Not included**

- Tap
- Mounting hardware

**Warranty**

- 10 year material warranty
- 1 year mechanical warranty

**+ Technical drawing**



**Spare parts**

If a situation arises where you require replacement components outside of a maintenance contract, there may be provision to obtain spare parts. Providing the components are under warranty and the parts have become non-functioning during normal use within their assumed usable life, they may be replaced. Should a replacement mains power supply be required it is imperative that an identical type is used. Contact **The Splash Lab** for further information.

**Related products**



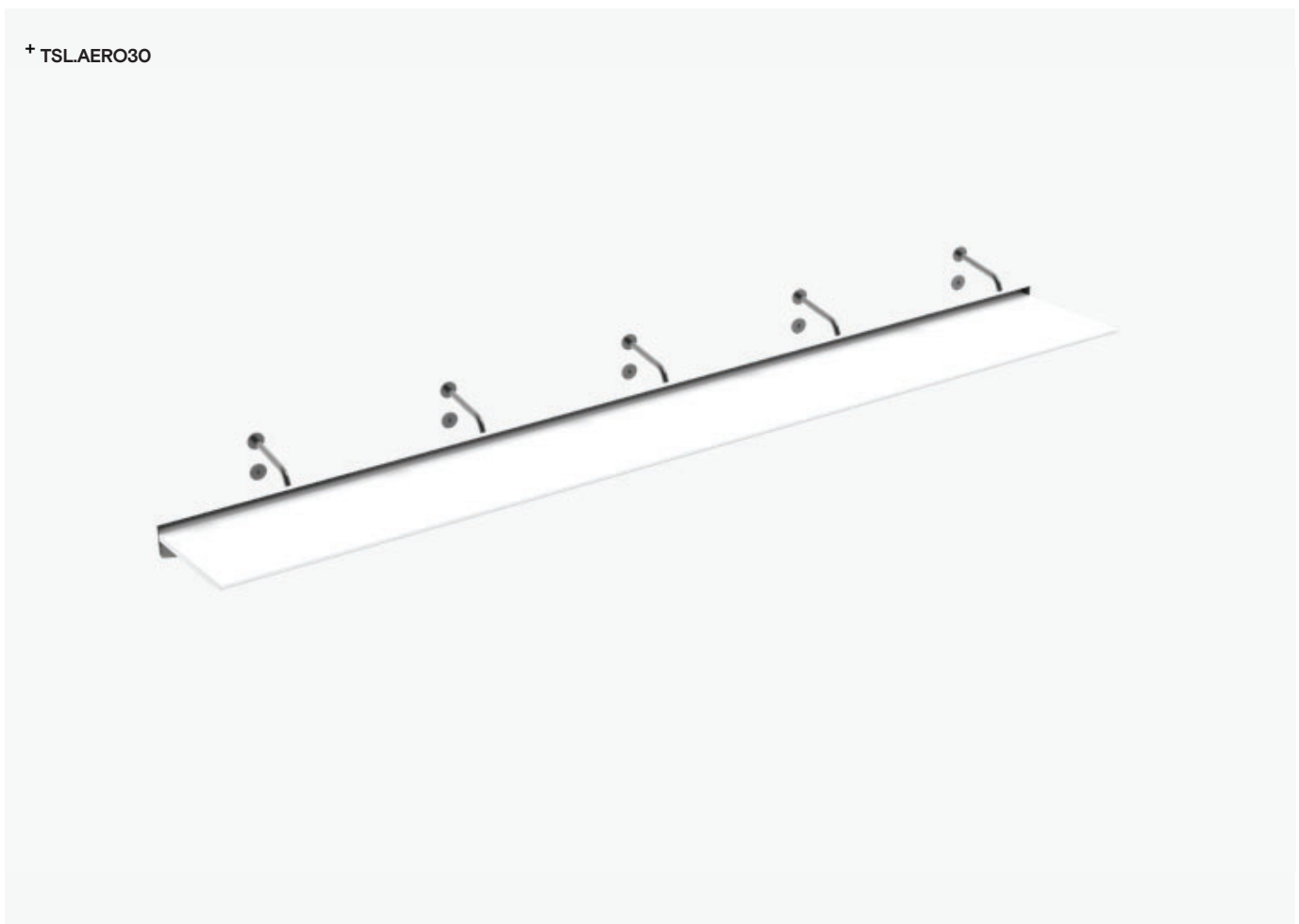
**The Radius Sensor Tap**  
TSL::4



**The Radius Soap Dispenser**  
TSL.689

# The Aerofoil

The Aerofoil is a single-plane sink system with a proprietary in-wall support system. Crafted from solid surface, the washplane can be specified in a wide range of finishes to suit any project.





Variant code	Size (mm)	Users
TSLAERO30	30000 x 525	5

#### Technical Data

Warranty	10 year material warranty	1 year mechanical warranty
Washplane Material	Solid Surface	
Support Frame	Mild steel, Stainless steel, Aluminium and PVC	
Colours	Refer to colour range	

#### Installation requirements

Wall construction	Frame included. Installer should ascertain that wall construction is sufficiently designed to support the Aerofoil
Fixed height	See Drawing
Wall Fixings	Must be fixed to a suitable wall substrate to allow for the correct use of the Aerofoil. The Splash Lab recommend that installers contact a fixings specialist for advice to ensure the correct fixings are used for the location. Wall fixings are not included with the Aerofoil.
Plumbing	Connection to 1 ¼" waste outlet required. (one connection per user) Installer to provide water for taps. See separate datasheet for The Splash Lab sensor taps.
Access requirements	Solenoid and isolation valves must be accessible for initial installation & commissioning and for ongoing and routine maintenance.

#### Compliance & certificates

DDA	DDA compliant when installed correctly
IPC	2021, 2018, 2015, 2012 and 2009
IRC	2021, 2018, 2015, 2012 and 2009
NPC	2015, 2010 and 2005
LEED	Solid surface products contribute to LEED v.4 points for Indoor Air Quality
CSA	B45.5 / IAPMO Z124-2017 – Plastic Plumbing Fixtures

Continued on next page

**Included**

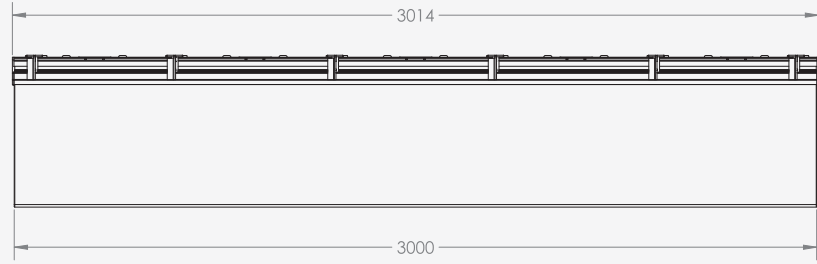
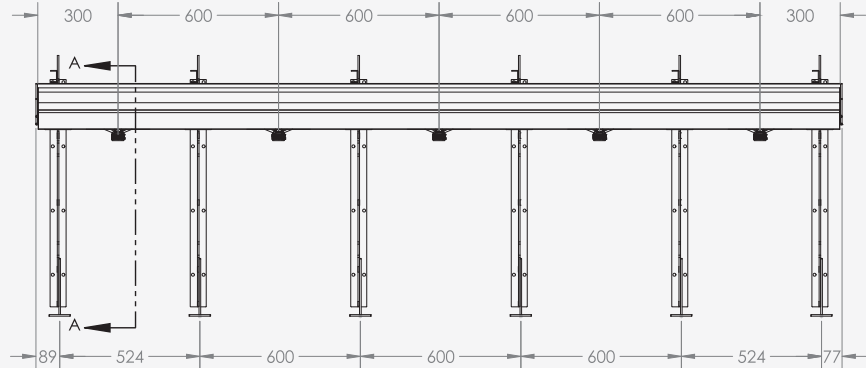
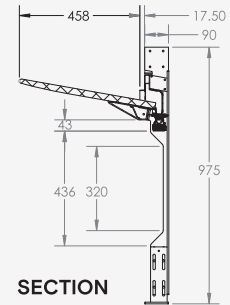
- Washplane
- Washplane extrusion
- PVC gully extrusion
- Grate housing extrusion
- Sprung steel grate
- Waste support bracket
- Waste funnel
- Leg assembly w/ clamp block

**Not included**

- Tap
- Mounting hardware

**Warranty**

- 10 year material warranty
- 1 year mechanical warranty

**+ Technical drawing****PLAN****ELEVATION****SECTION****Spare parts**

If a situation arises where you require replacement components outside of a maintenance contract, there may be provision to obtain spare parts. Providing the components are under warranty and the parts have become non-functioning during normal use within their assumed usable life, they may be replaced. Should a replacement mains power supply be required it is imperative that an identical type is used. Contact **The Splash Lab** for further information.

**Related products**

**The Radius Sensor Tap**  
TSL::4



**The Radius Soap Dispenser**  
TSL.689