

Aerofoil

installation Guide

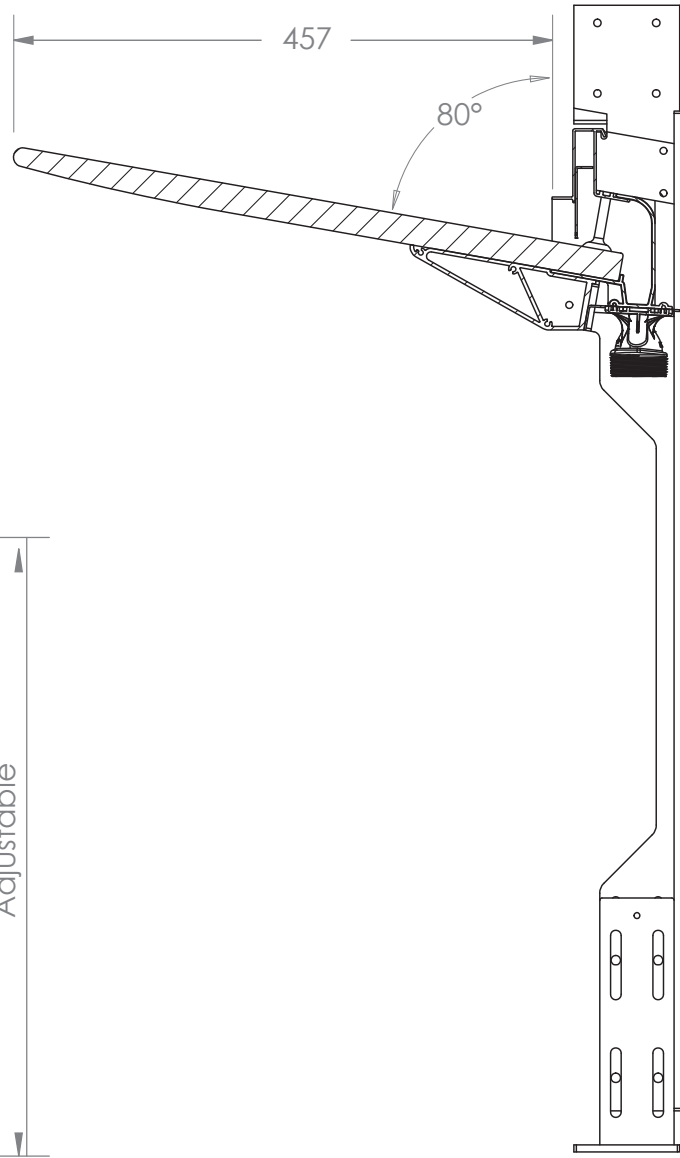
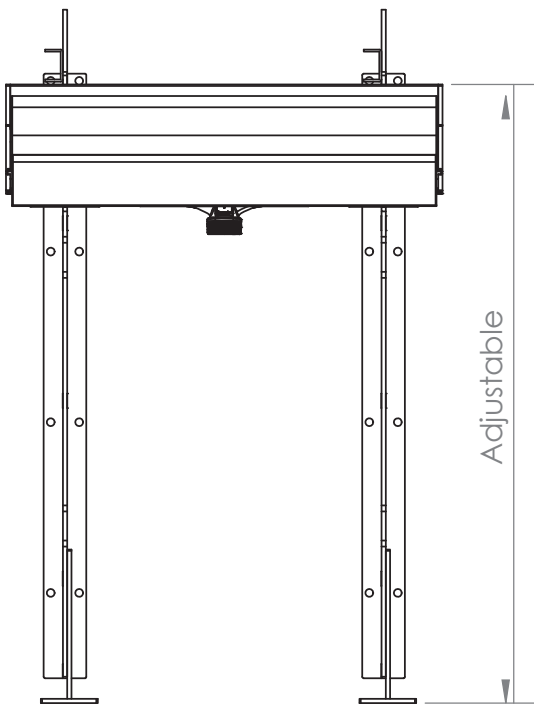
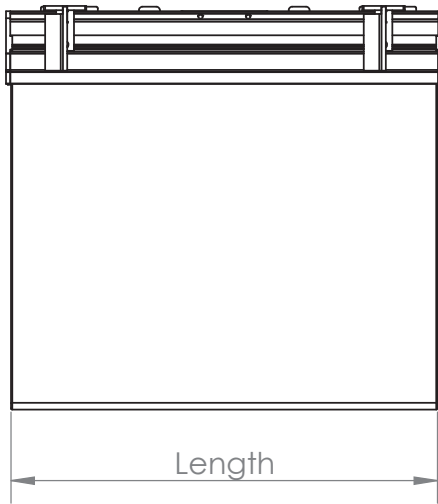
+
THE
SPLASH
LAB

contents

4	Technical Drawings
5	Components List
6	Before you Install
7	Installation Guide
24	Warranty
25	Contact Information

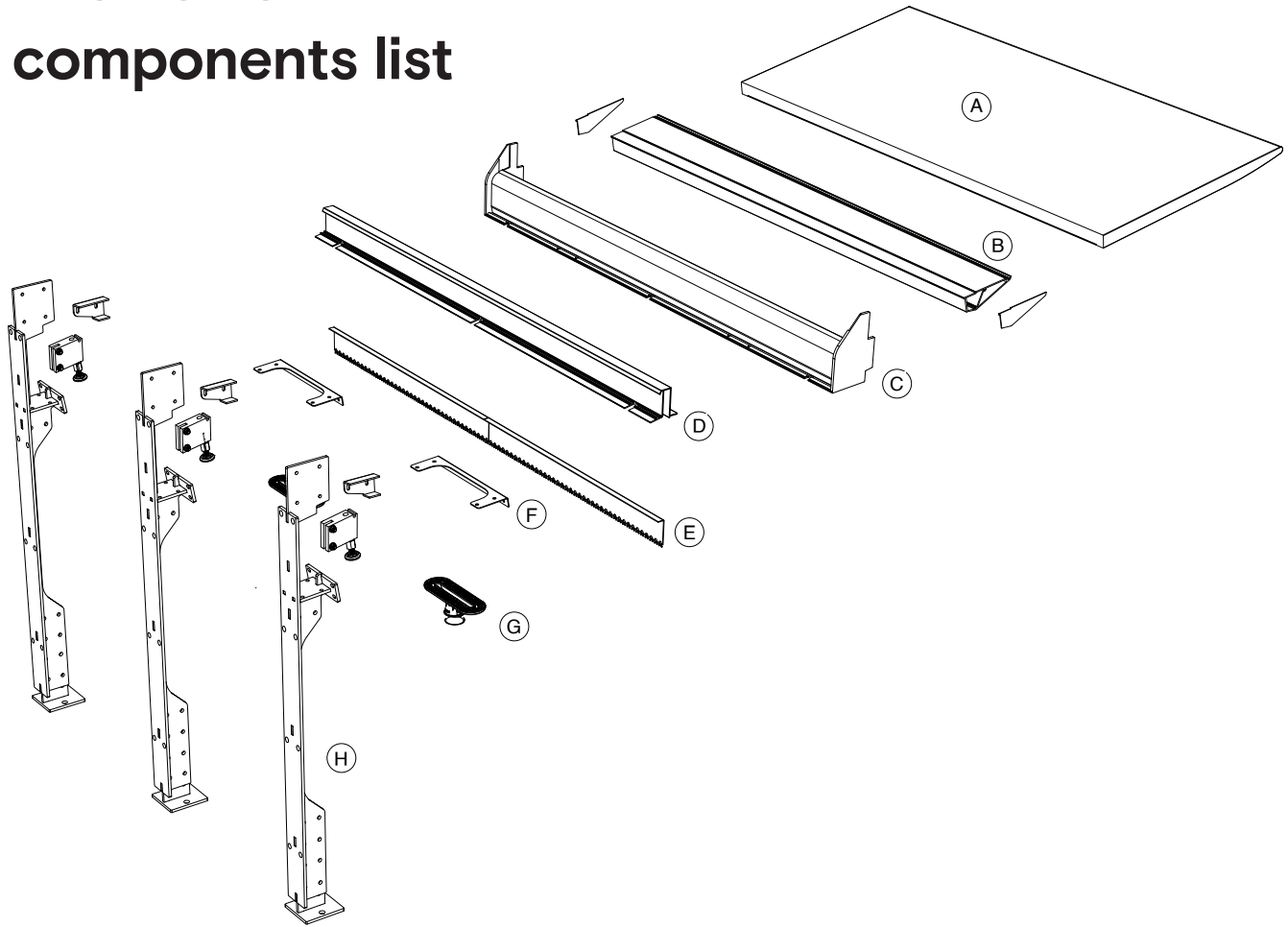
Aerofoil

technical drawings



Aerofoil

components list



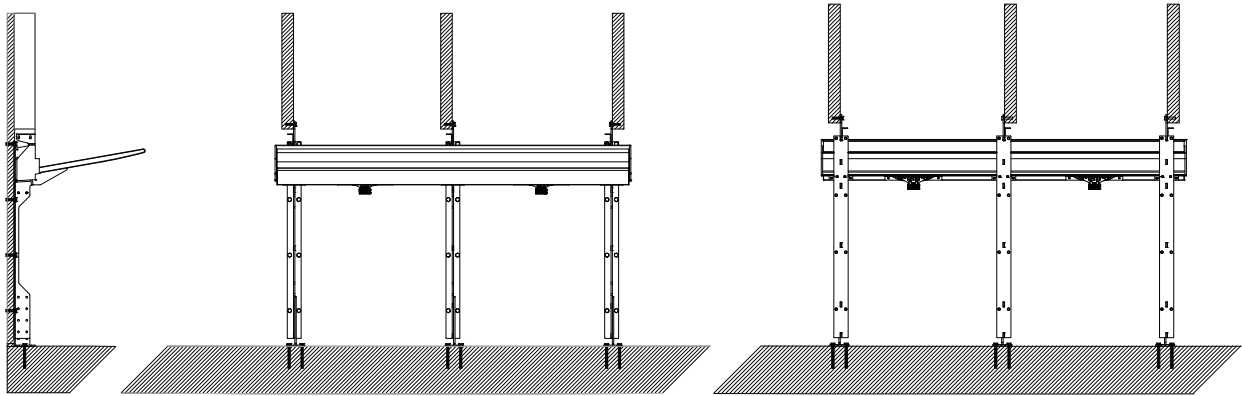
		600mm	1200mm	1800mm	2400mm	3000mm
A	Washplane	1	1	1	1	1
B	Washplane extrusion	1	1	1	1	1
C	PCV gully extrusion	1	1	1	1	1
D	Grate housing extrusion	1	1	1	1	1
E	Sprung steel grate	1	2	3	4	5
F	Waste support bracket	1	2	3	4	5
G	Waste funnel	1	2	3	4	5
H	Leg assembly w/ clamp block	2	3	4	5	6

For bespoke sizes not listed above please speak with our design team.

Please check that all components are included and advise The Splash lab if any parts are missing. Fixings are not included for fastening the support system to the wall or floor as each location is different. The Splash Lab recommend that you consult a fixings specialist for advice on the most appropriate fixing method for your project.

Aerofoil

before you install

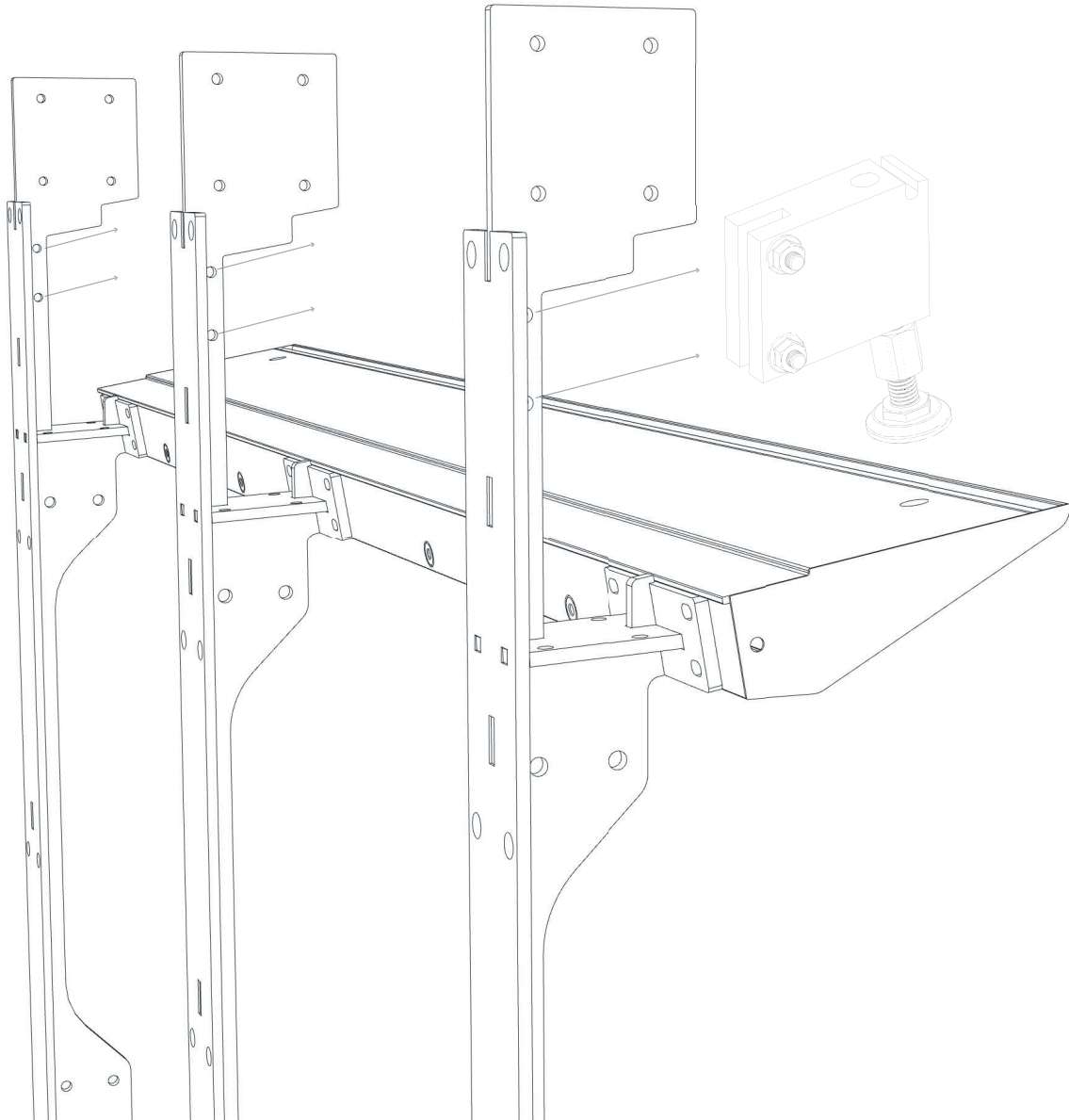


IMPORTANT MUST READ

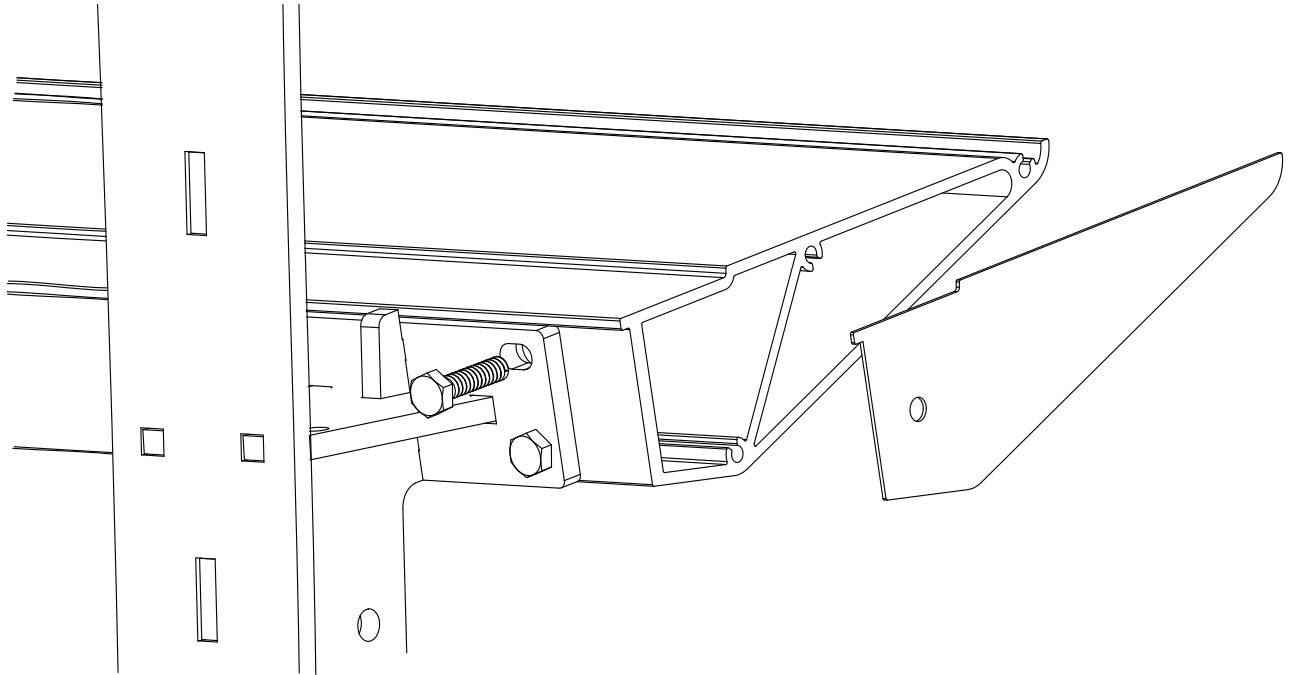
1. The Setting out of the Aerofoil support system will determine the position of your walling and finishes. Care must therefore be taken when setting out your Aerofoil and when fixing it into position; to ensure that your wall build-up and selection of finishes are well coordinated with the installation.
2. A water supply would need to be provided to suit the taps that have been selected for use with the Aerofoil.
3. A waste water connection and appropriate trap is required to connect to the 1 1/4" BSP thread on the waste funnel. The trap should conform to the current waste water regulations.
4. The water supply pipes should be within the wall void with access to allow for plumbing connections.
5. Typically access should be provided both below and above the Aerofoil to allow for ease of maintenance. Access systems for the Aerofoil are available. Speak with our sales team for more information.

Aerofoil - installation

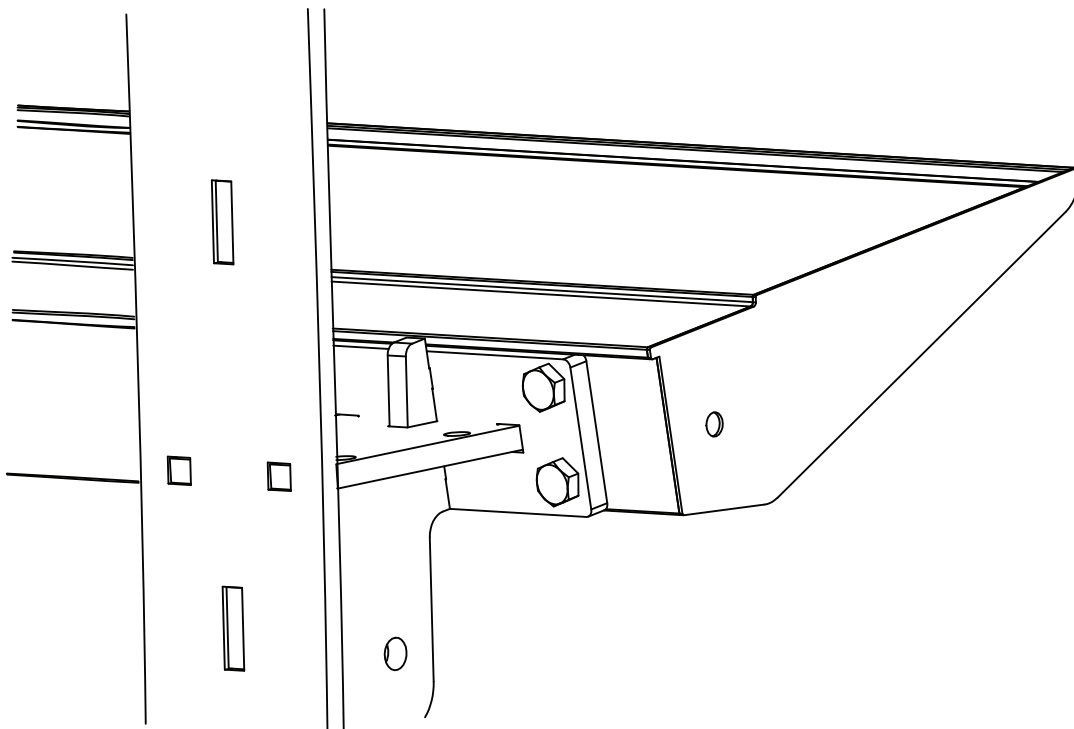
STEP 1 - Position washplane extrusion (Part B) and leg assembly (Part H) as illustrated. Ensure correct hole alignment. Remove the clamping blocks from the assembly at this stage.



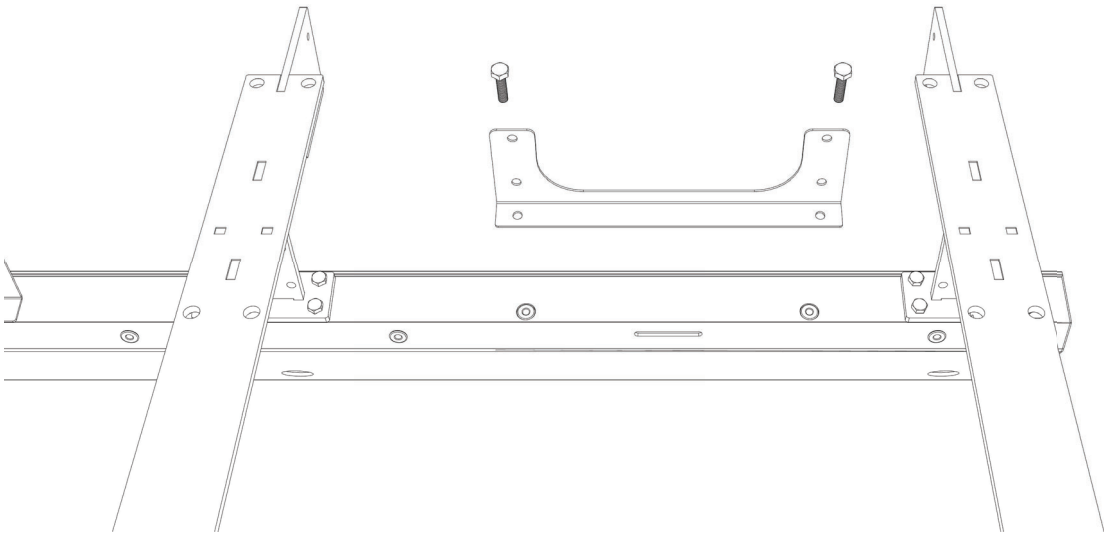
Aerofoil - installation



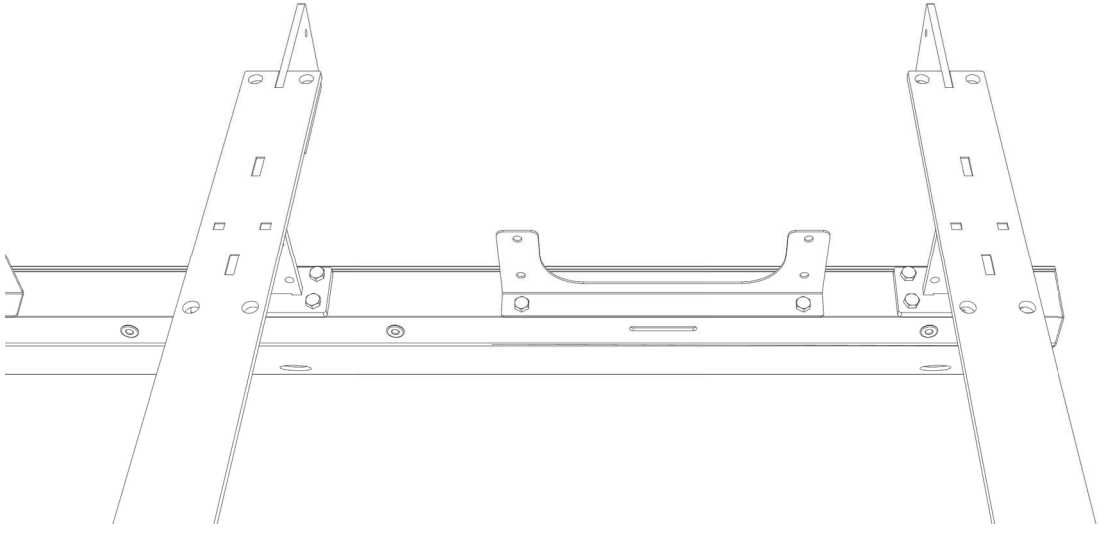
STEP 2 - Using the fixings supplied and a socket wrench, secure parts as shown and clip on the end caps. (End caps are stored inside the washplane extrusion)



Aerofoil - installation

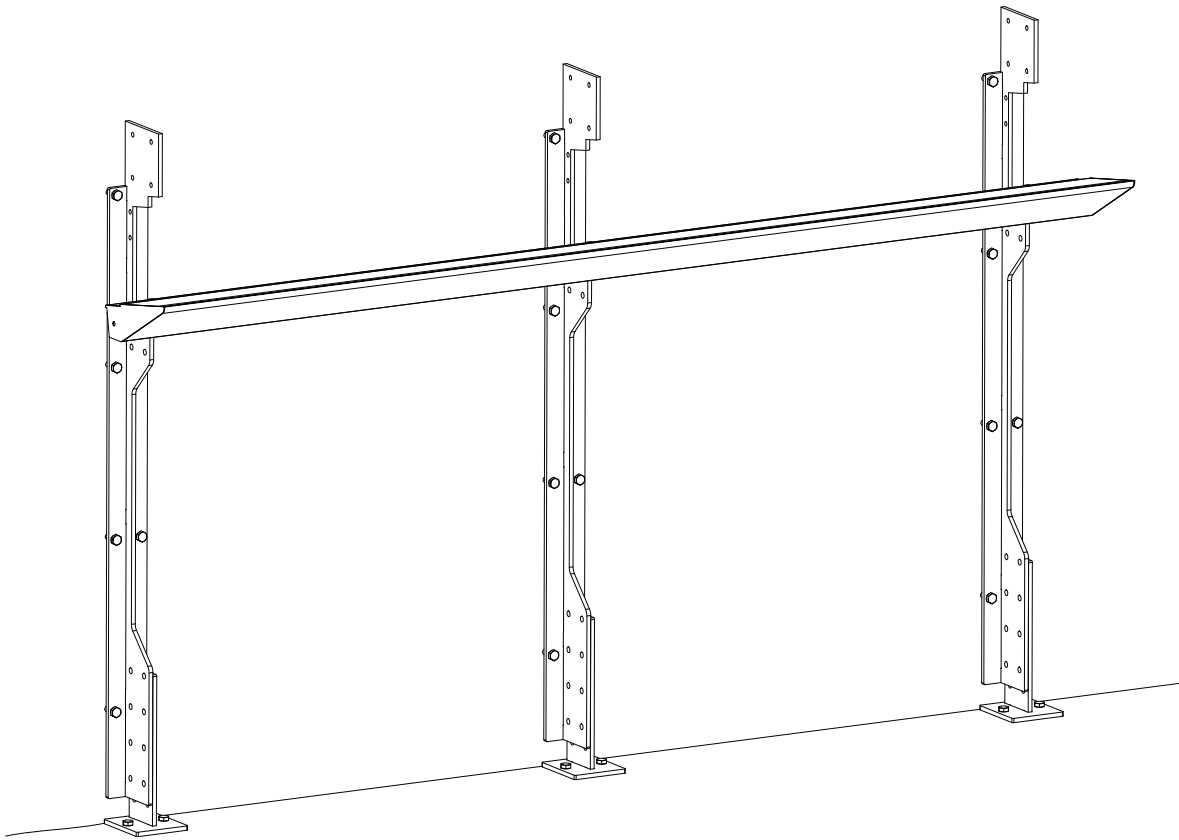


STEP 3 - Position waste support bracket(s) (Part F) and secure to the assembly using a socket wrench



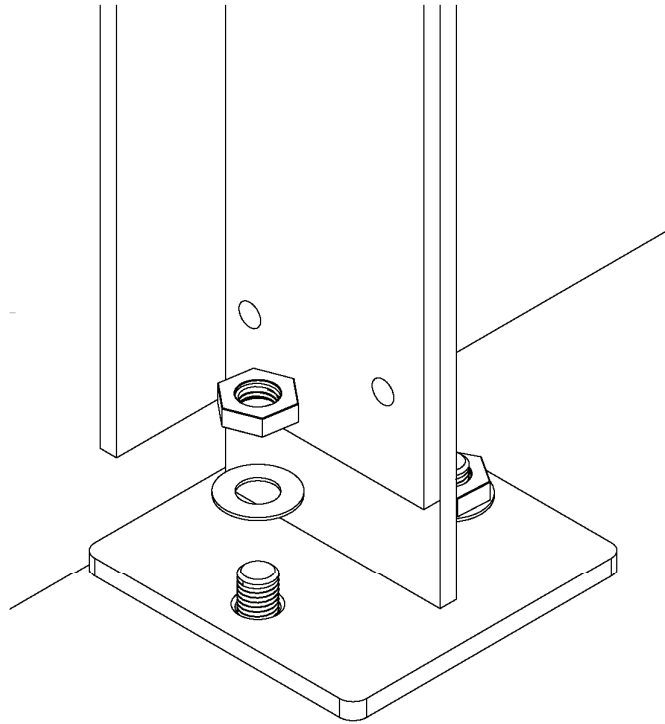
Aerofoil - installation

STEP 4 - Position the support frame into its install location. Adjust the height setting using a socket wrench.

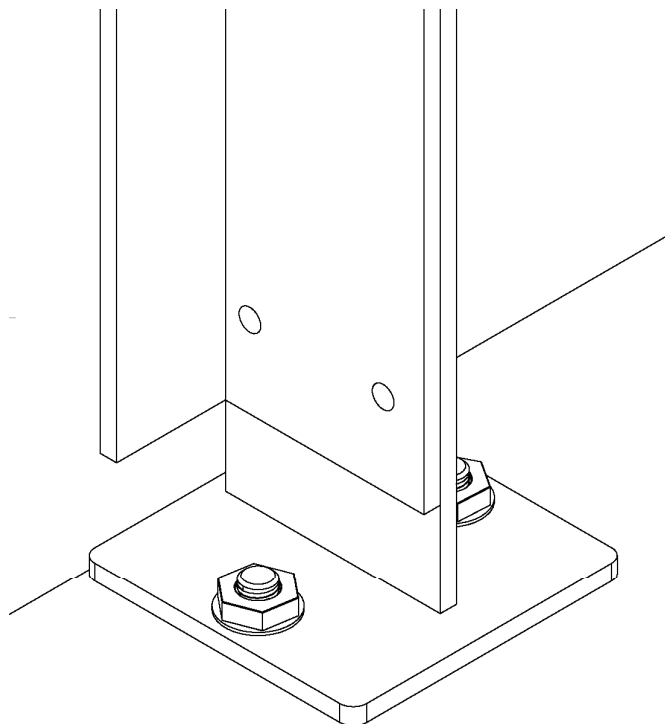


STEP 5 - Ensure the frame is level and mark holes positions.

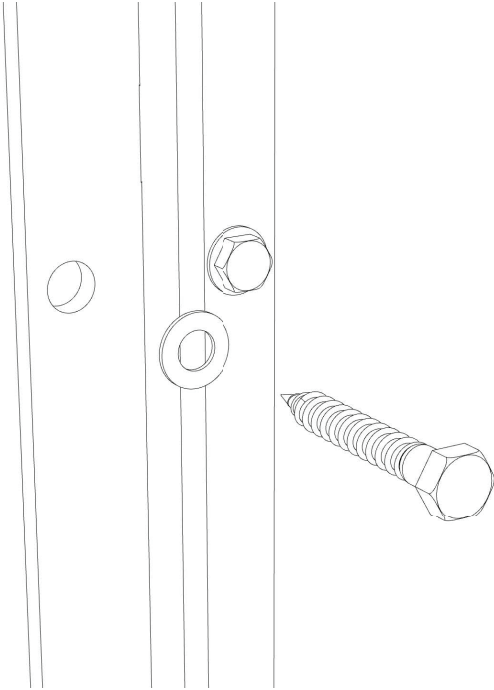
Aerofoil - installation



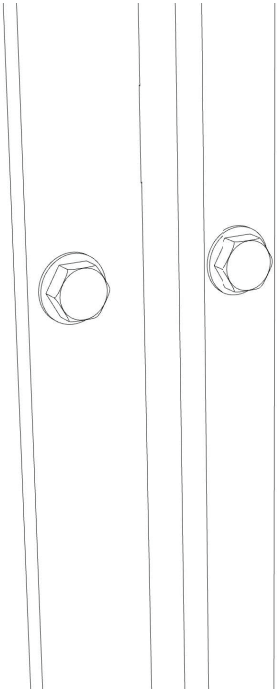
STEP 6 - Secure the support frame to the floor. Depending on your floor build-up, the type of fixing used will vary. The illustration shows anchor fixings which would be suitable for concrete floor slabs. (Fixings not included.)



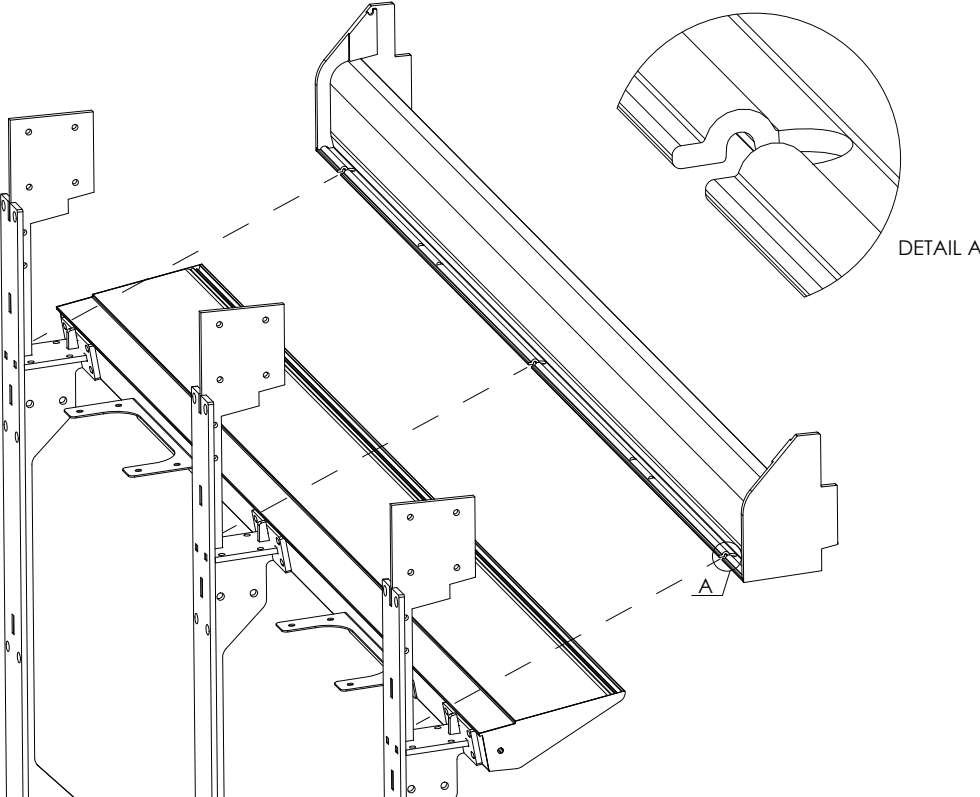
Aerofoil - installation



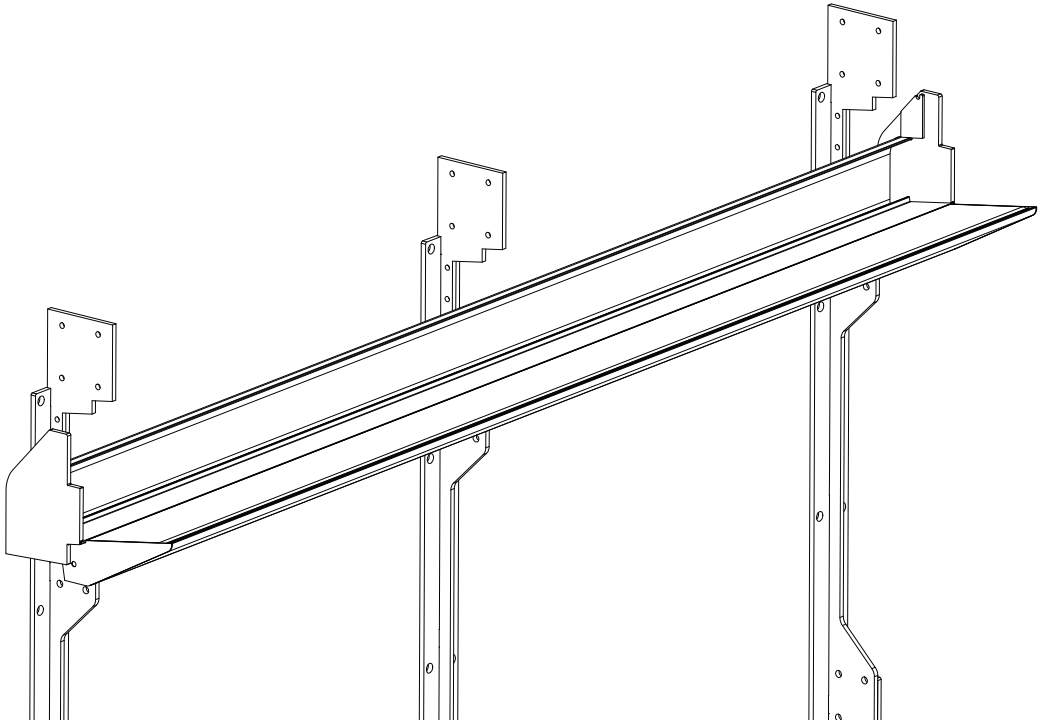
STEP 7- Secure legs to the back wall using suitable washers and fixings



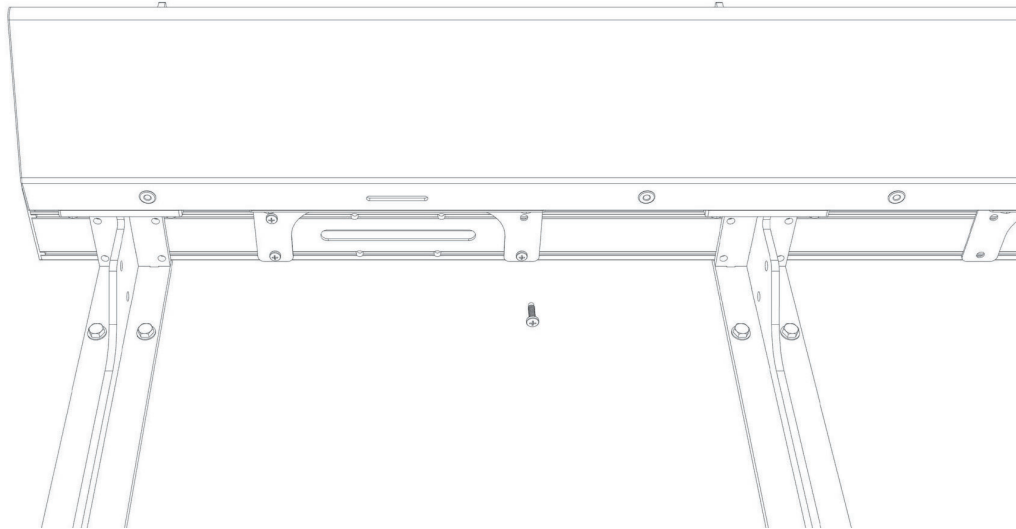
Aerofoil - installation



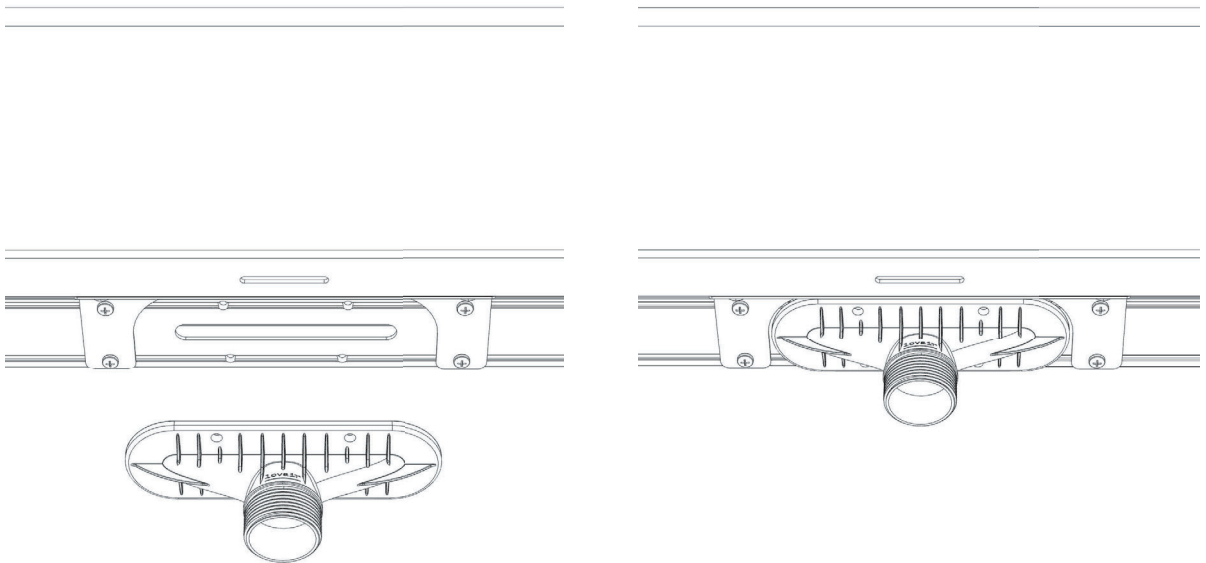
STEP 8 - Lift and position PVC gully extrusion (Part C) onto the assembly. The rear slots will interface with the frame if positioned correctly.



Aerofoil - installation

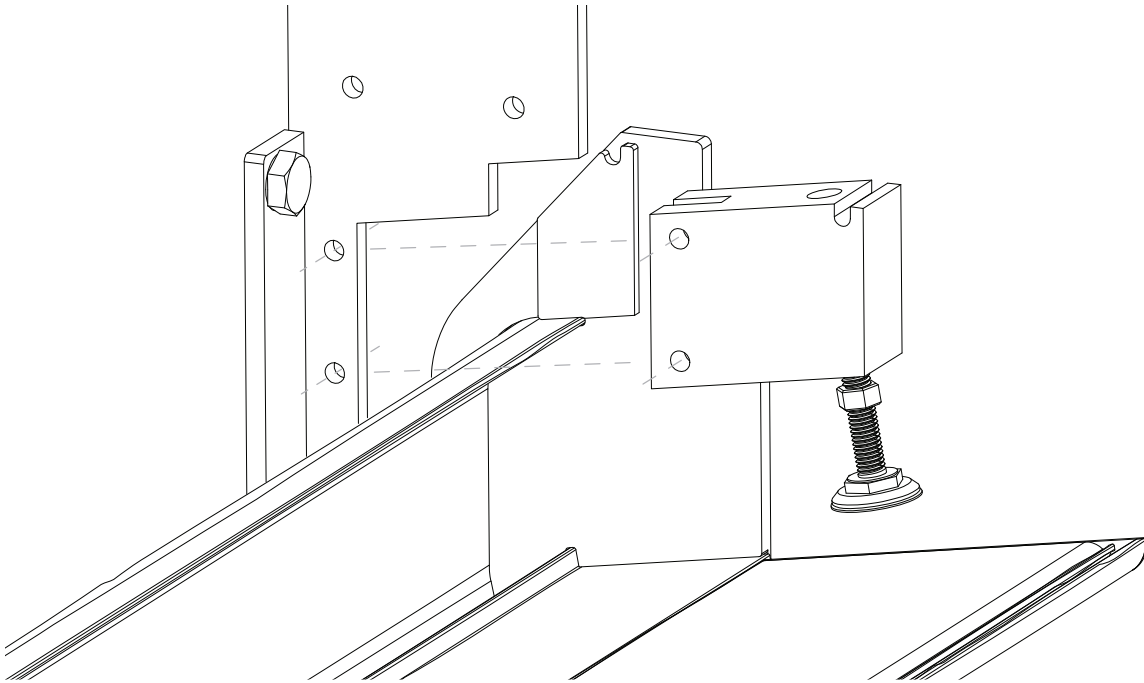


STEP 9 - Secure PVC gully extrusion (Part C) and waste support bracket (Part F) using the self tapping fixings provided. Ensure the gully is aligned correctly to the leg assembly before attaching the waste support plate.

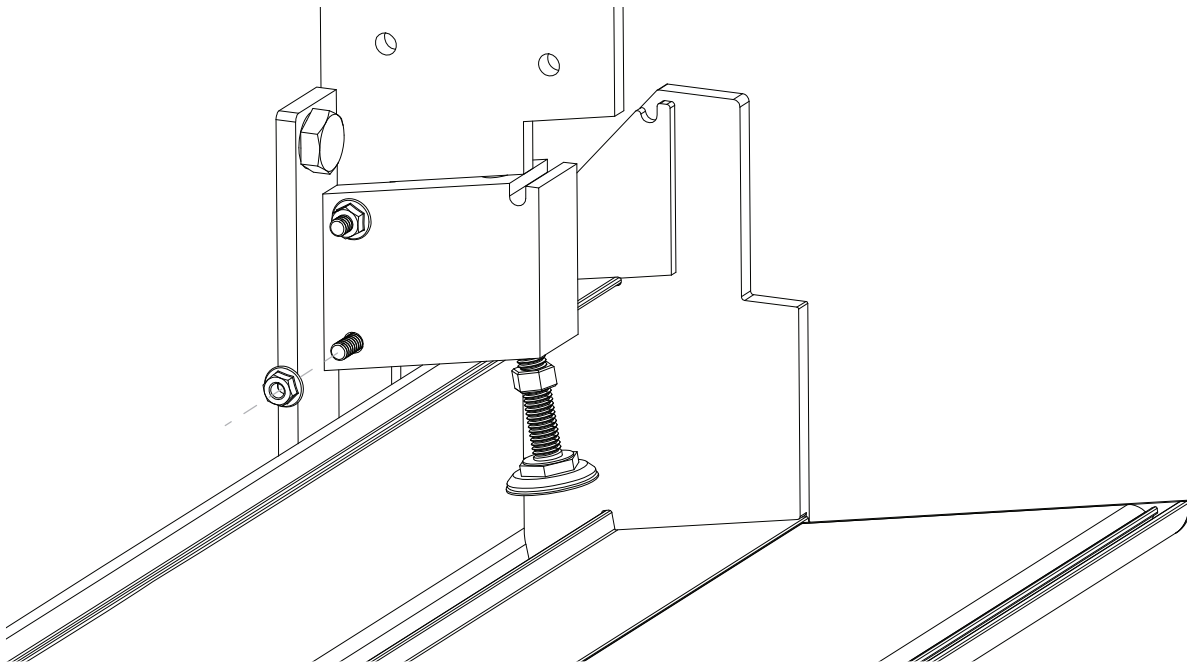


STEP 10 - Fit waste funnel(s) (Part G) using the fixing provided.

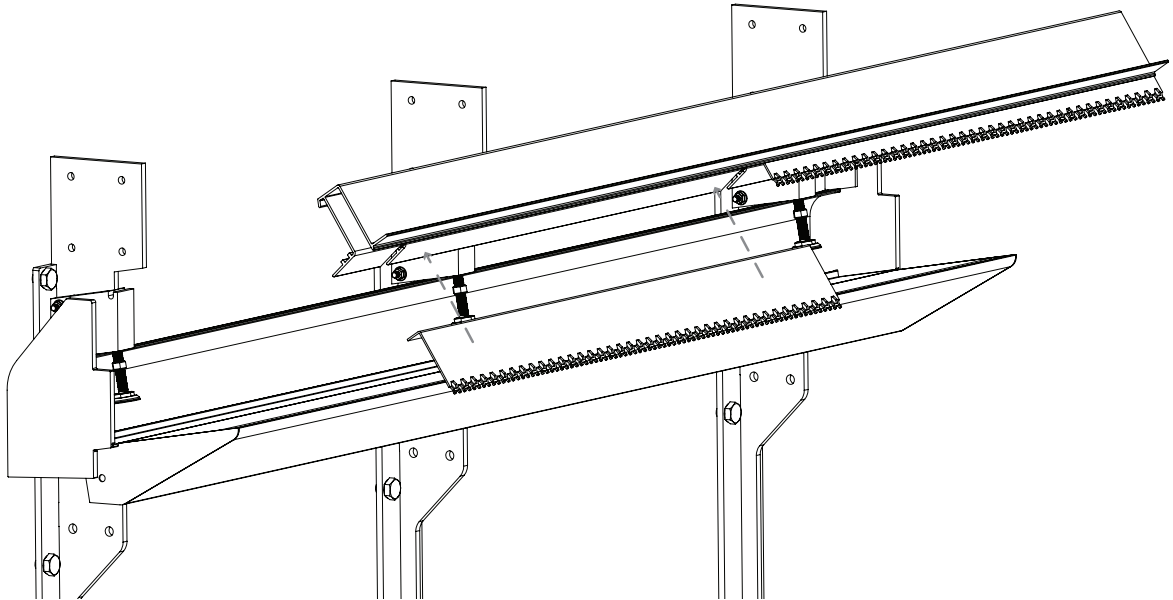
Aerofoil - installation



STEP 11 - Refit the clamping blocks to the leg assembly (Part H) as shown and secure using the fixing provided. Secure blocks loosely enough to allow for the grates to be fitted in the next step.

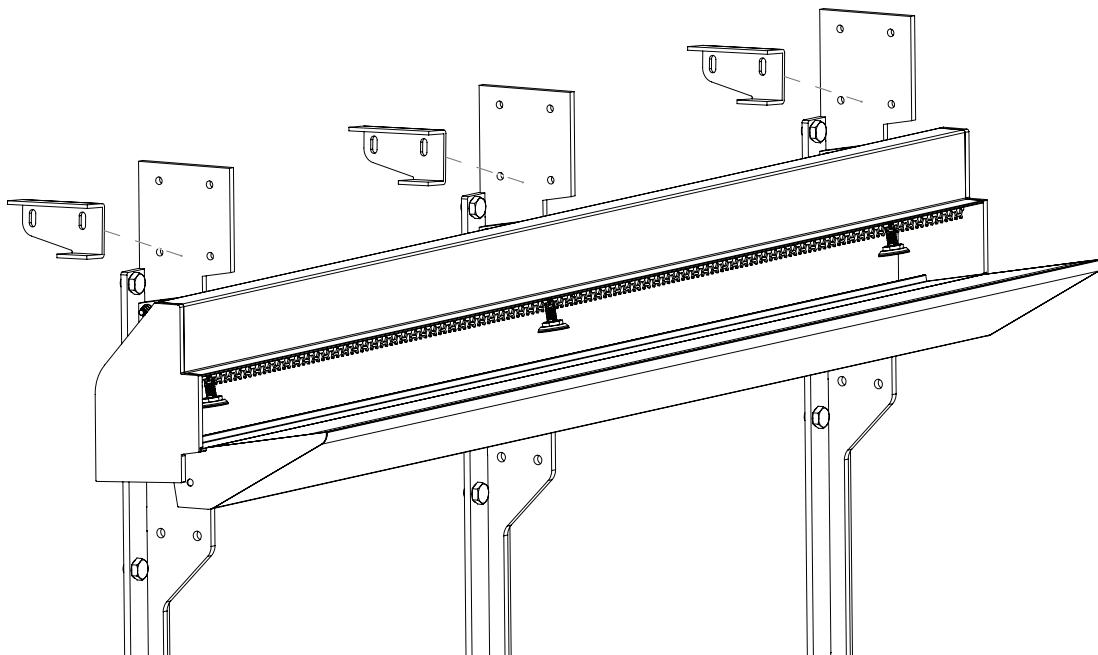


Aerofoil - installation



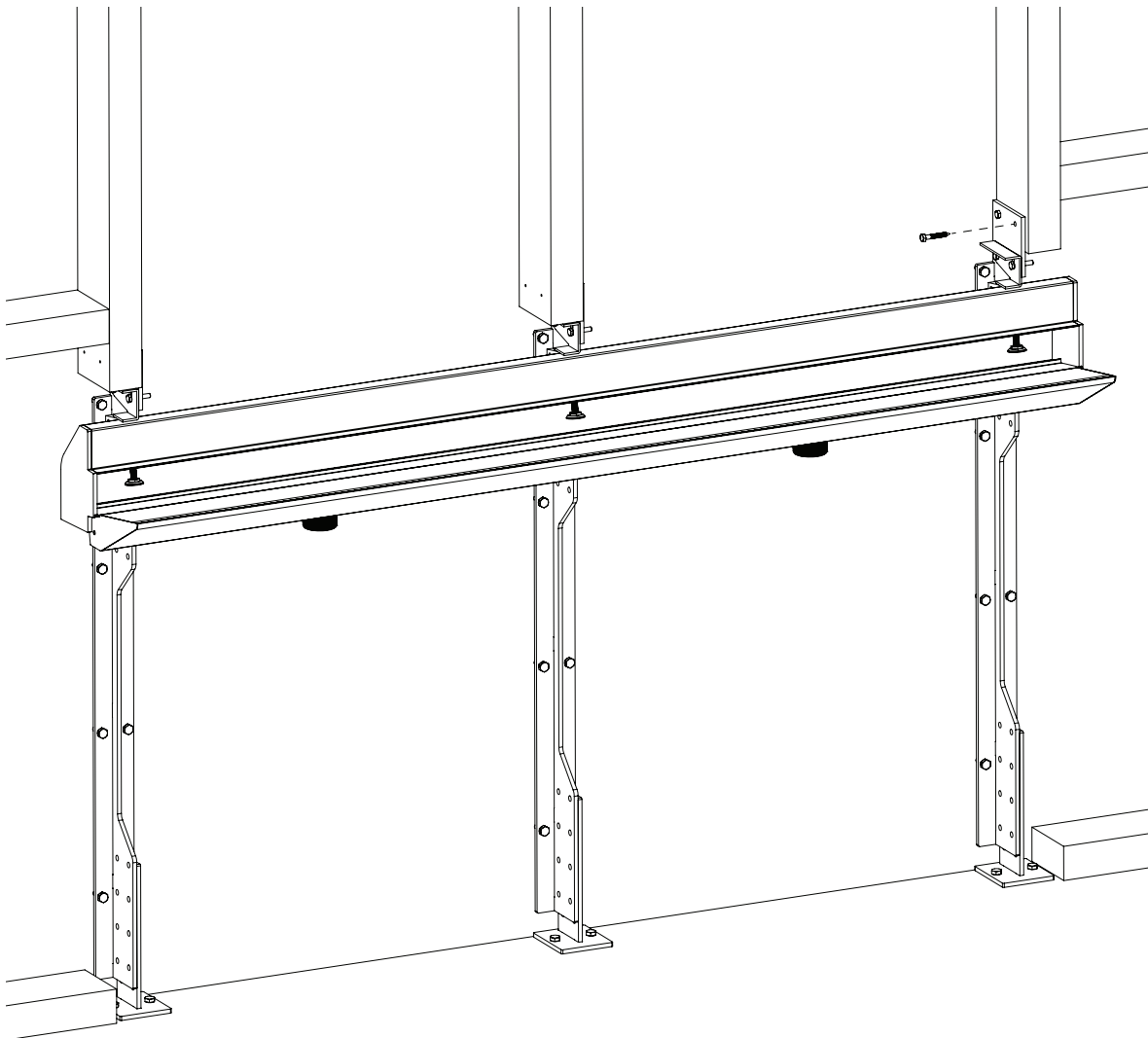
STEP 12 - Insert the grate(s) (Part E) into the grate housing extrusion (Part D). Then lift and position the extrusion (D) onto the assembly. The rear slots will interface with the frame if positioned correctly.

Proceed to attach clamping plates as shown.

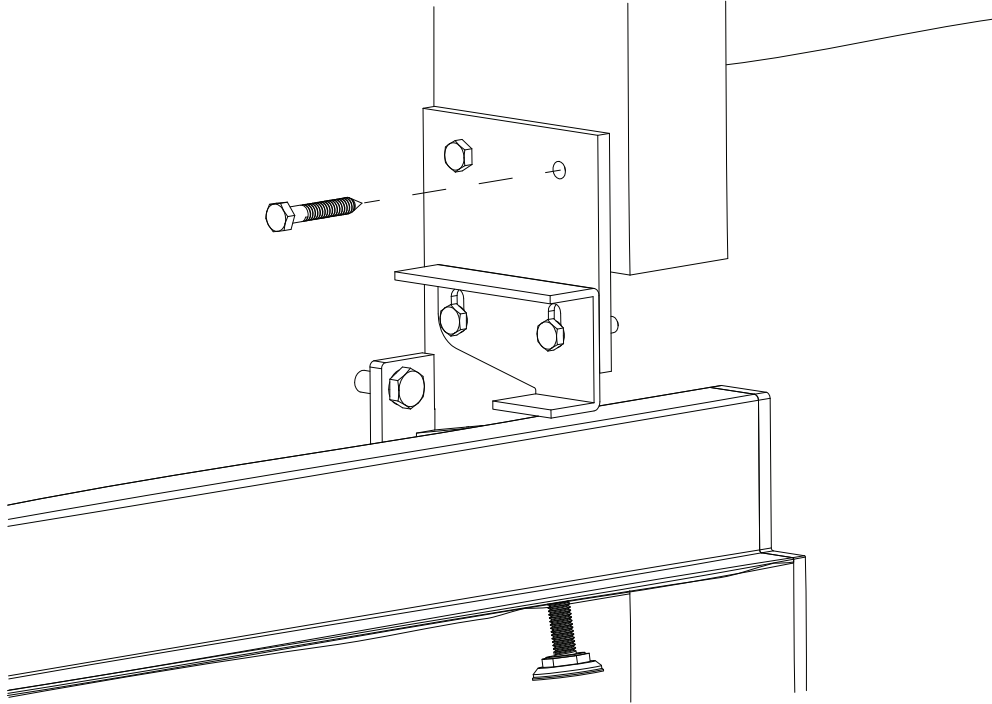


Aerofoil - installation

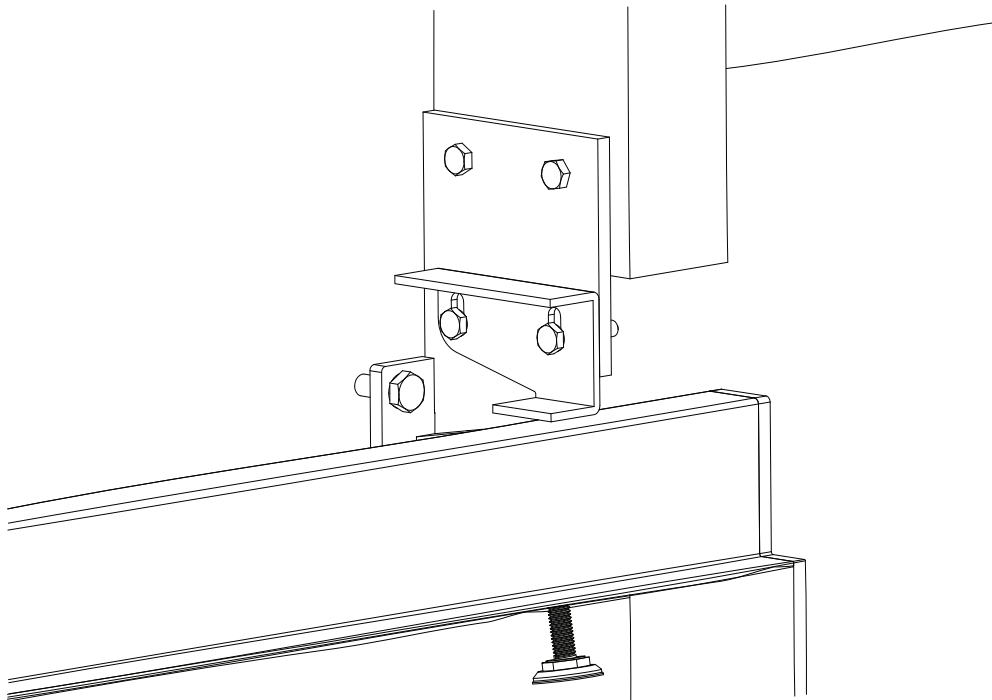
STEP 13 - Building up your wall framing using suitable metal or timber walling



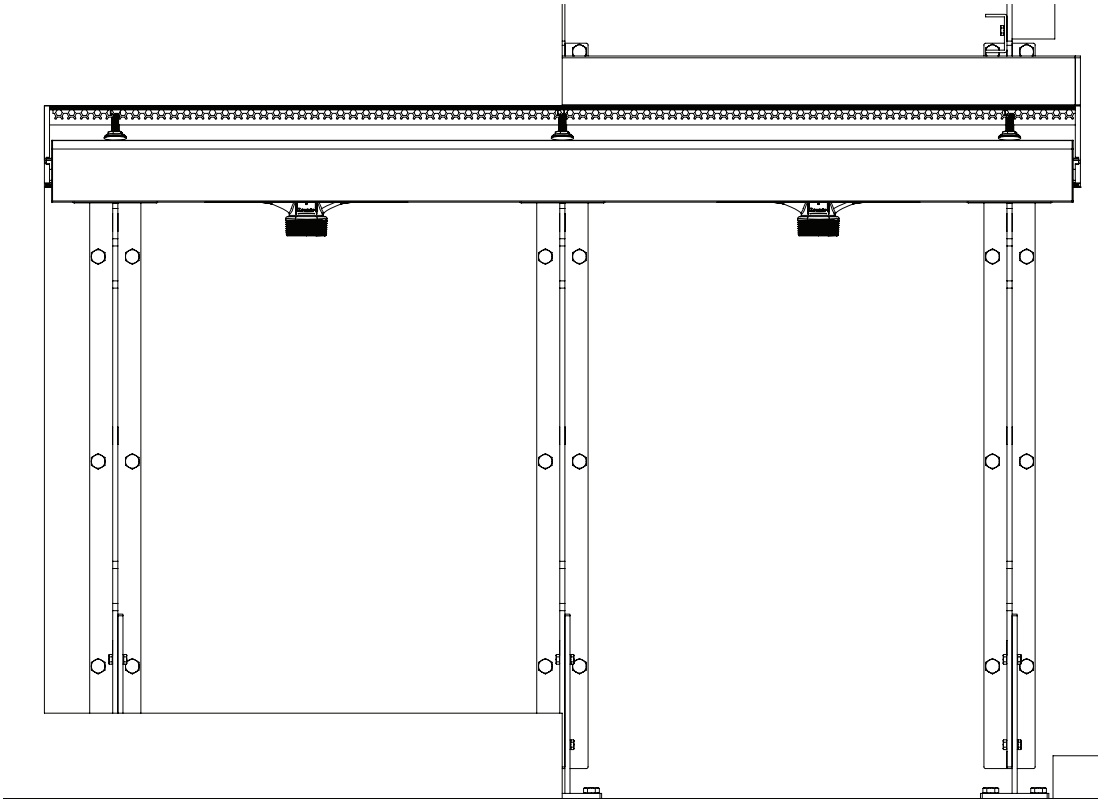
Aerofoil - installation



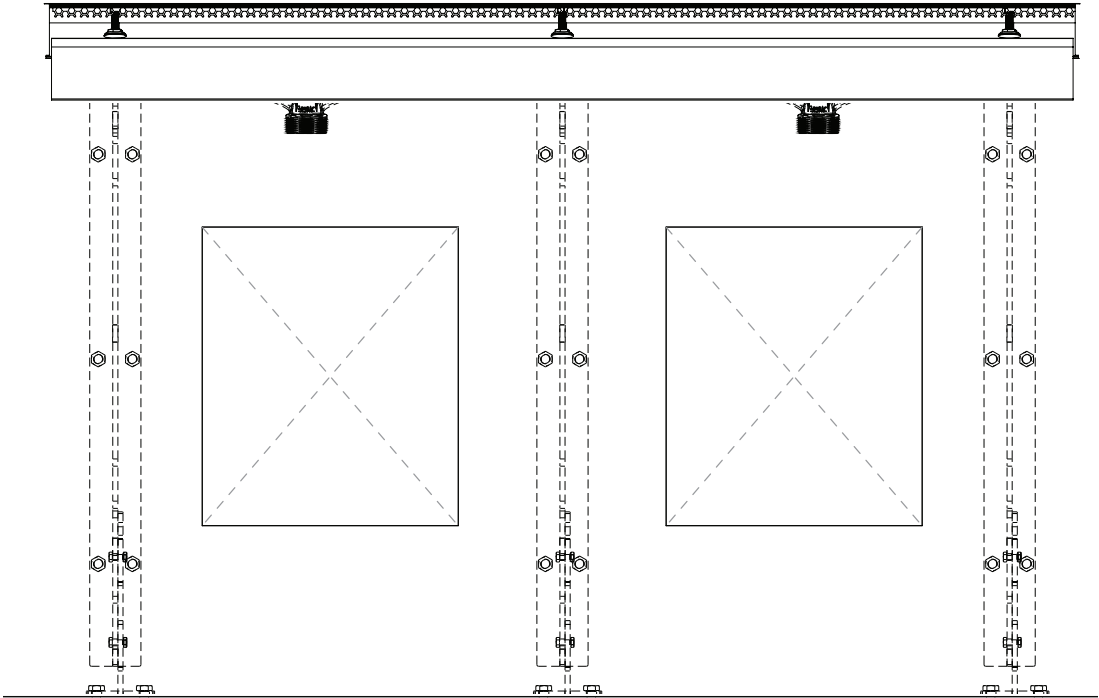
STEP 14 - Fixing holes are provided at the top of each support leg. The type of fixing will depend on your walling system



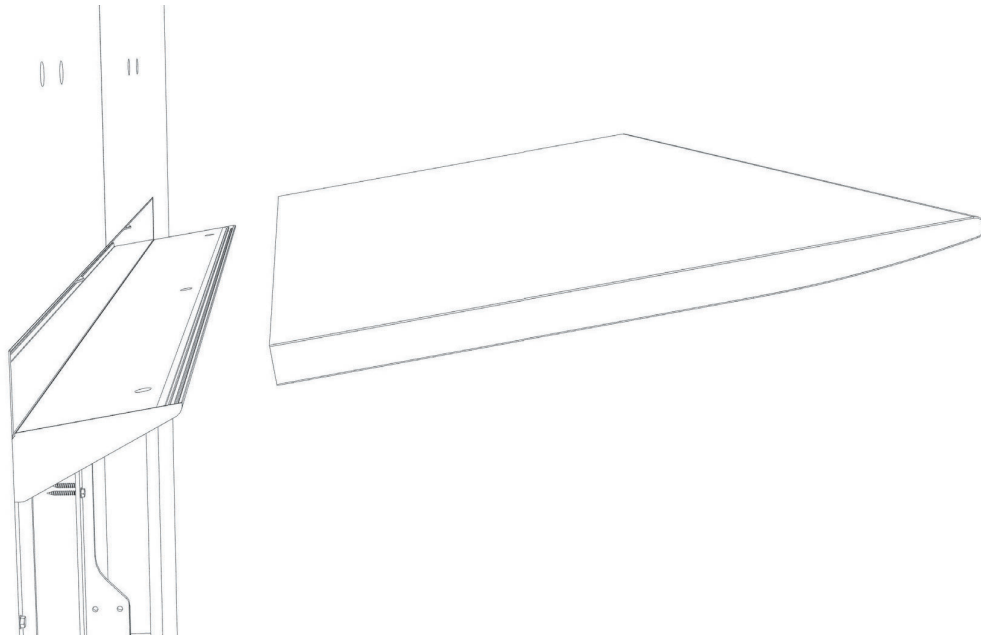
Aerofoil - installation



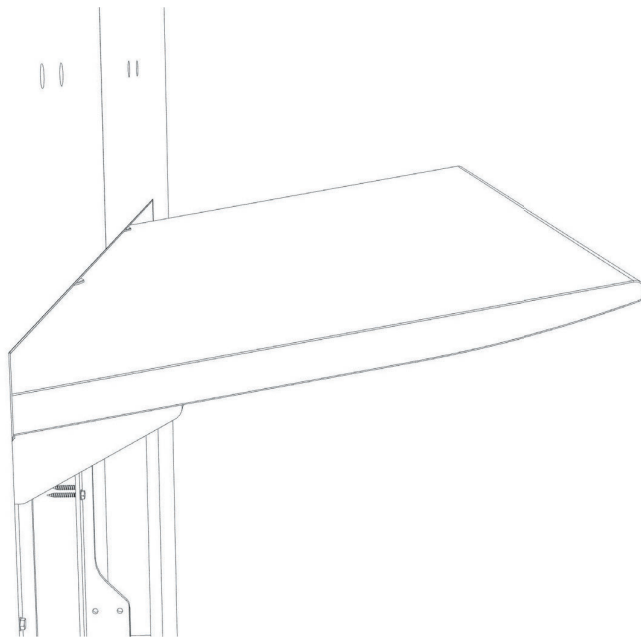
STEP 15 - Board your wall making sure to leave apertures for access, above and below the aerofoil system.



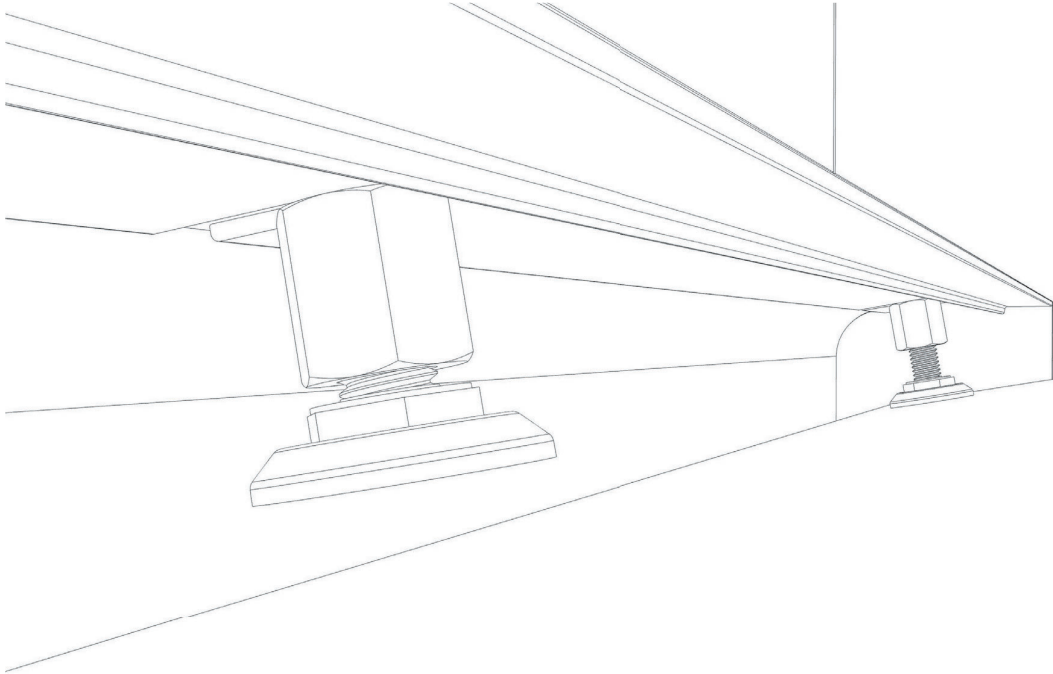
Aerofoil - installation



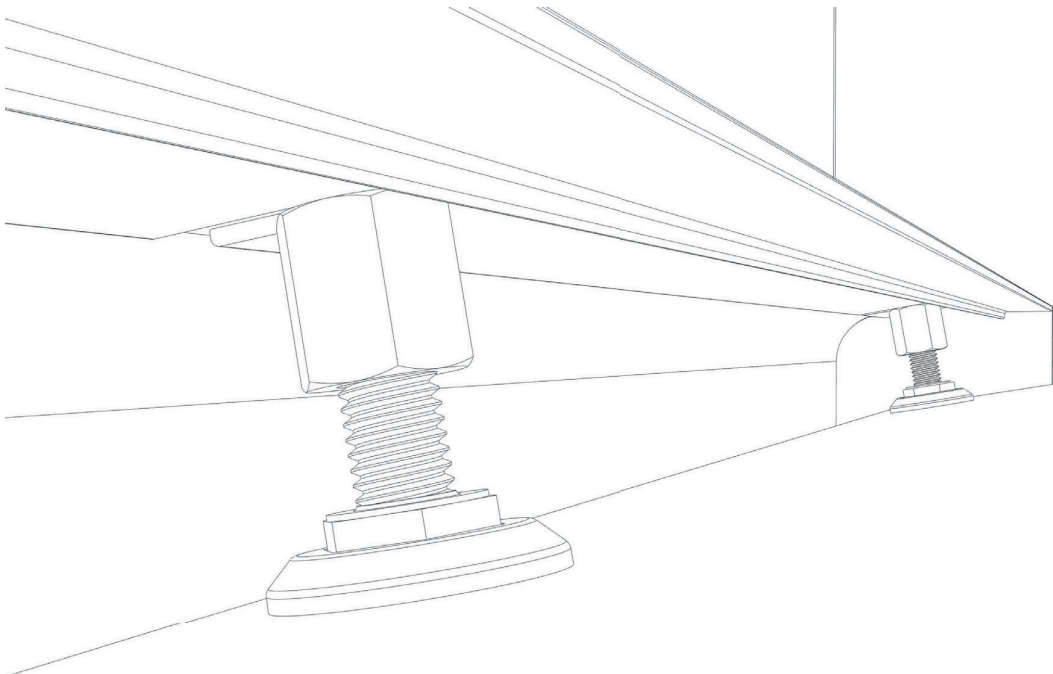
STEP 16 - Install the washplane (Part A) by carefully sliding into the reveal.



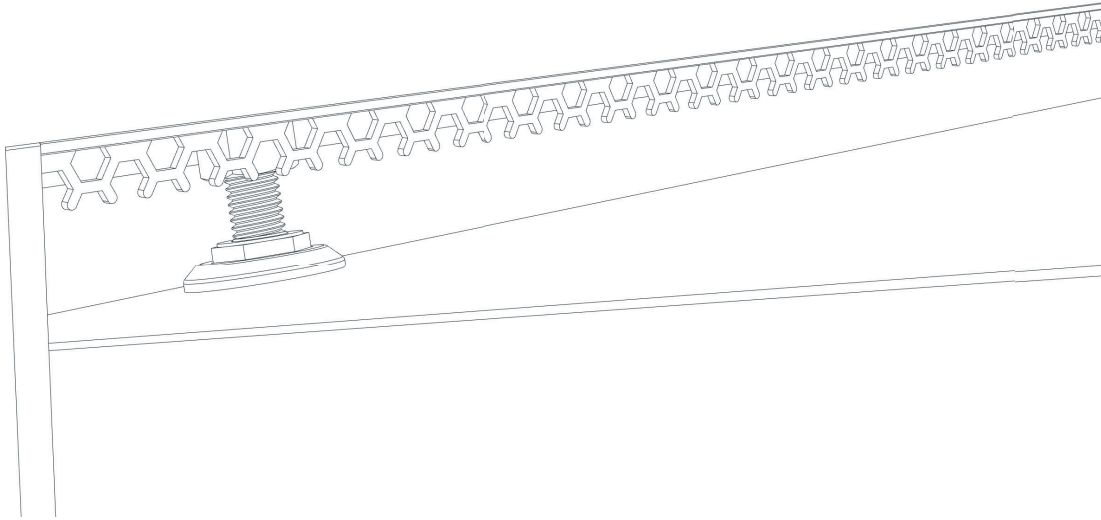
Aerofoil - installation



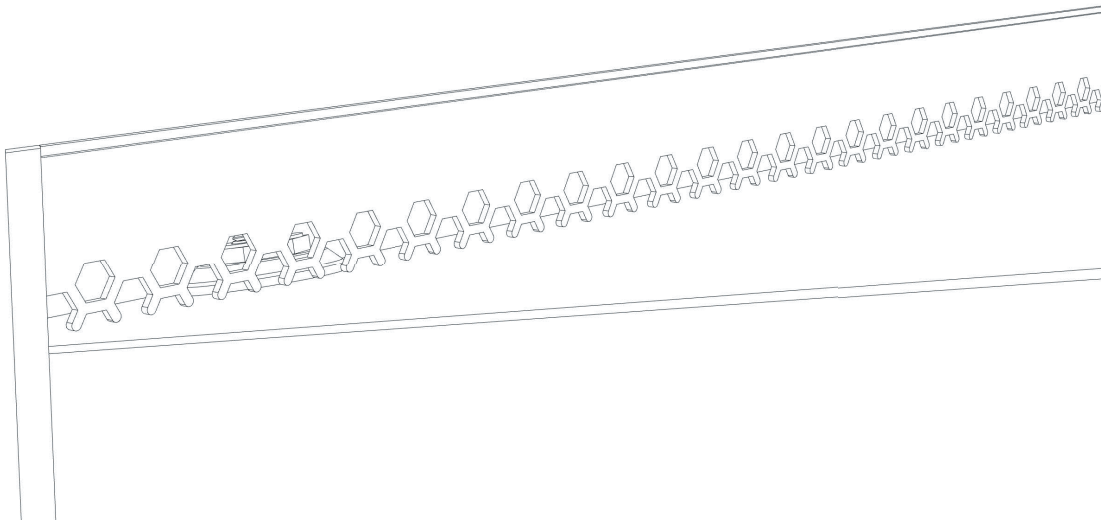
STEP 17 - Secure the leg assembly clamping nuts (Part H) to the washplane (Part A) by tightening with an adjustable spanner.



Aerofoil - installation

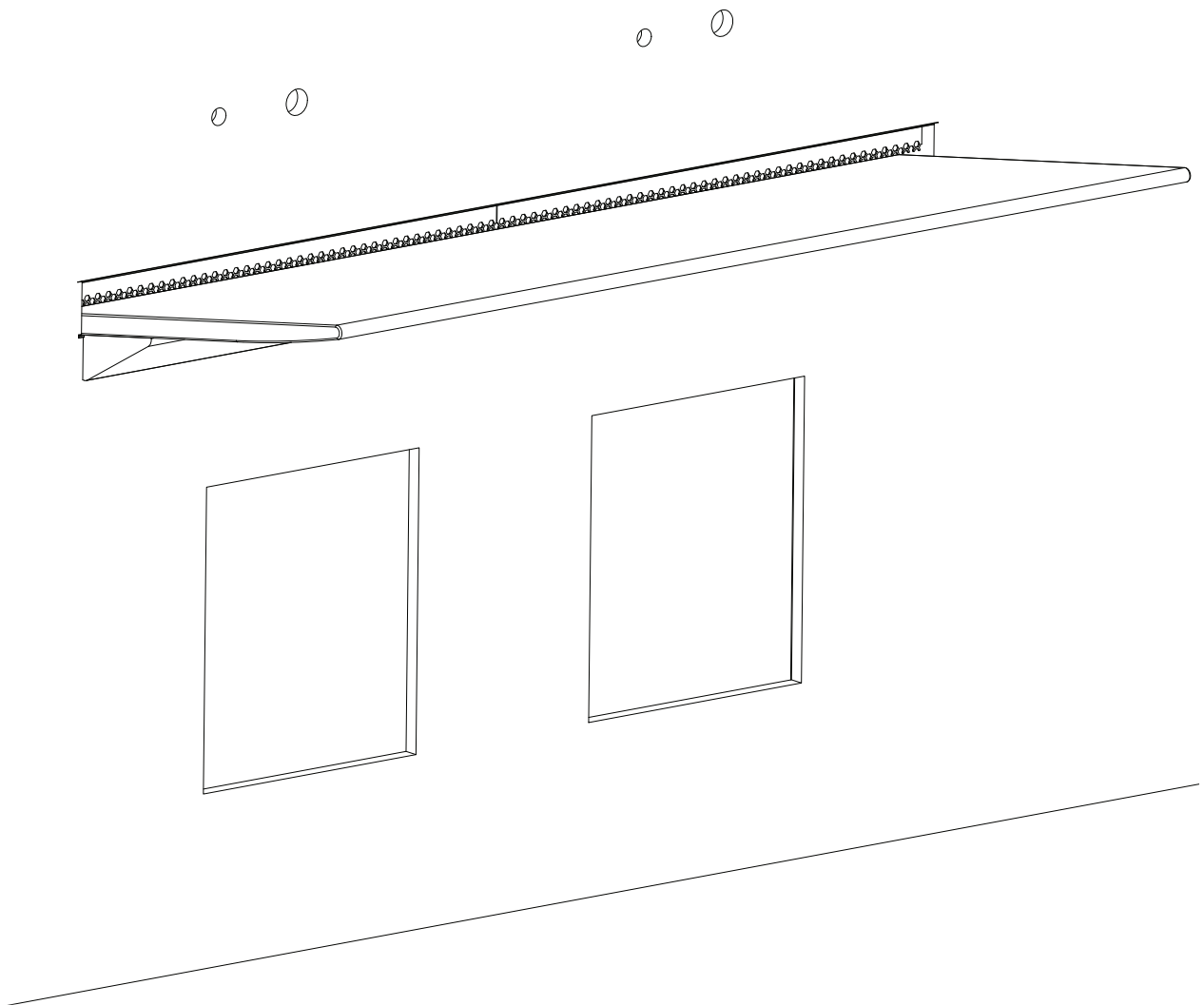


STEP 18 - Lower the grates (Part E) to meet the washplane (Part A)



Aerofoil - installation

STEP 19 - You are now ready to plumb your Aerofoil.



warranty

We believe the future is personal. With a global mindset, we challenge conventional restroom norms via product innovation to create considered washroom solutions for corporate and educational spaces. We use rich raw materials, cutting-edge automation and considered washroom design to powerfully and positively influence the lives of people. We are The Splash Lab.

Demonstrating our commitment to quality and our belief in the strength of our designs, we can offer the following warranties.

The Splash Lab will warrant that its products will be free of manufacturing and material defects during normal use and environmental conditions as detailed below:

Aerofoil hand wash units:	10 Year Material Warranty
	1 Year Mechanical Warranty

If a defect is found in normal use, The Splash Lab will, at their discretion, repair, provide a replacement part or product, or make appropriate adjustments. Damage caused by accident, misuse, or abuse is not covered by this warranty. Improper care and cleaning will void the warranty.

Non-operation of the product due to environmental conditions beyond our control, installation error, incorrect maintenance, water quality, fair wear and tear, incorrect or inappropriate installation, misuse and abuse is not covered by the warranty.

Proof of purchase (original sales receipt) must be provided to The Splash Lab with all warranty claims. The above warranty is valid for goods supplied within the United Kingdom.

For goods supplied outside of the United Kingdom, The Splash Lab will honour the above stated warranty periods for the parts only.

THE SPLASH LAB DISCLAIM ANY LIABILITY FOR SPECIAL, INCIDENTAL OR CONSEQUENTIAL DAMAGES.

contact



General information

info.uk@thesplashlab.com

+44 (0) 161 482 7000

Meadow Industrial Estate, 34 Water Street,
Stockport SK1 2BU

Technical support

info.uk@thesplashlab.com

For further contact information visit:

www.thesplashlab.com

