

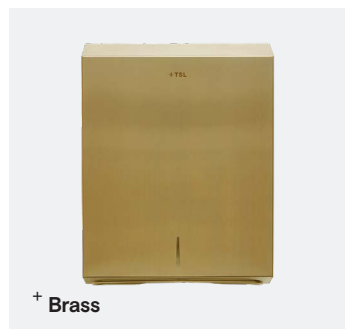
Wall-Mounted Paper Towel Dispenser

TSL.735

A wall-mounted paper towel dispenser made from AISI 304 type stainless steel in a brushed satin finish. Housing hinges open at flush lock for easy refilling. Suitable for commercial C-fold towels.

Finish	Codes	LRV*
● Black	TSL.735.BK	3
● Brass	TSL.735.BR	40
● Satin	TSL.735.CS	58
● Bronze	TSL.735.BZ	17
● Copper	TSL.735.CP	19

Light Reflectance Value*



Included

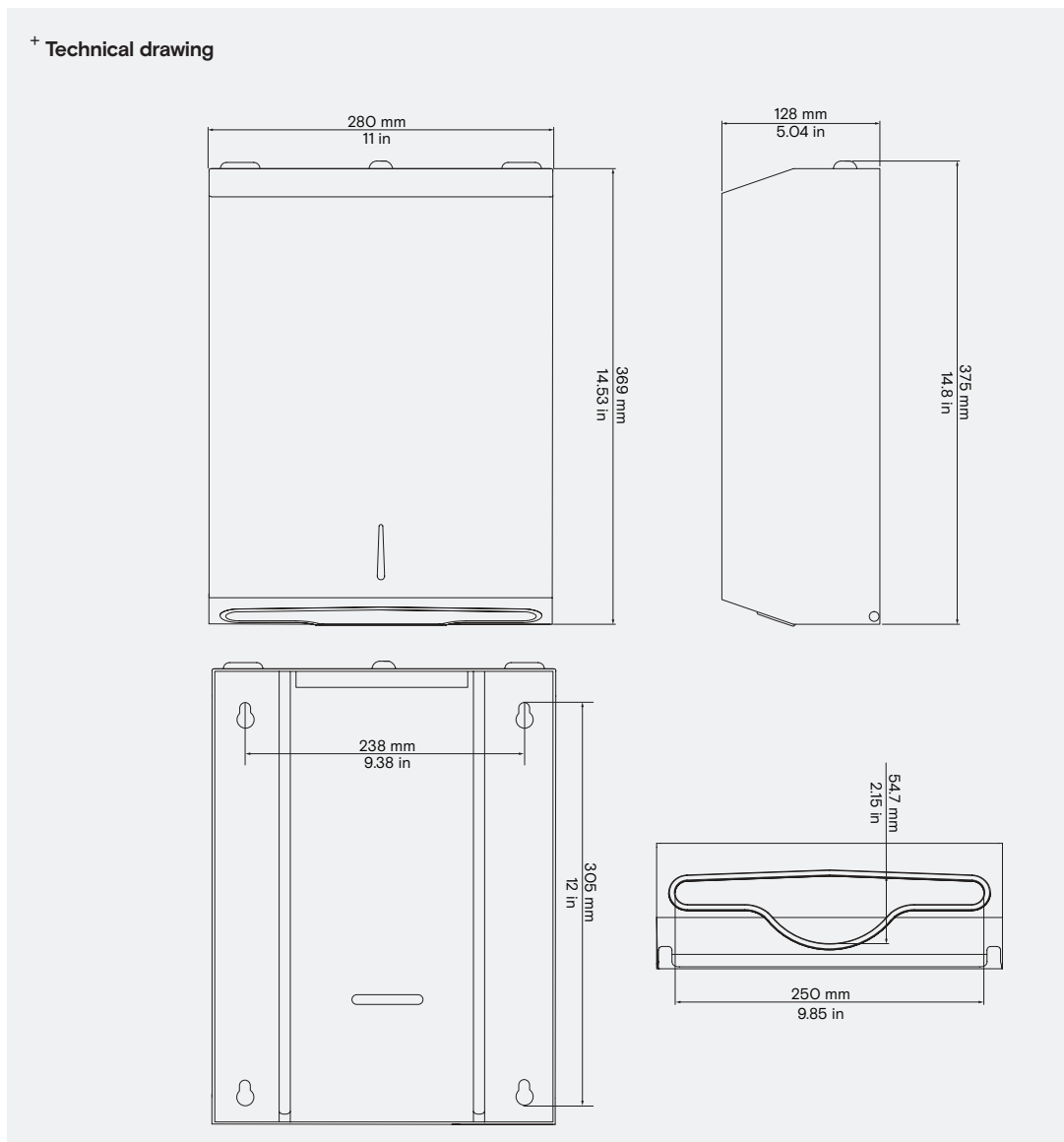
Paper Towel Dispenser
TSL.735

Key
L735K

Technical Data

Weight	2.31kg
Stainless Steel	AISI 304
Capacity	400-600 sheets
Max fold size	270 x 110mm

+ Technical drawing



Warranty & Spare parts

For warranty terms and conditions please visit www.thesplashlab.com

If additional spare parts are required and are not listed above, please contact us at info.uk@thesplashlab.com

Installation Requirements

Substrate - Must be fixed to a hard surface. **Drywall anchors included.**

Related products



25L Waste Receptacle
TSL.279



Lockable Toilet Roll Holder
TSL.842