

# TSL.735

Paper Towel Dispenser

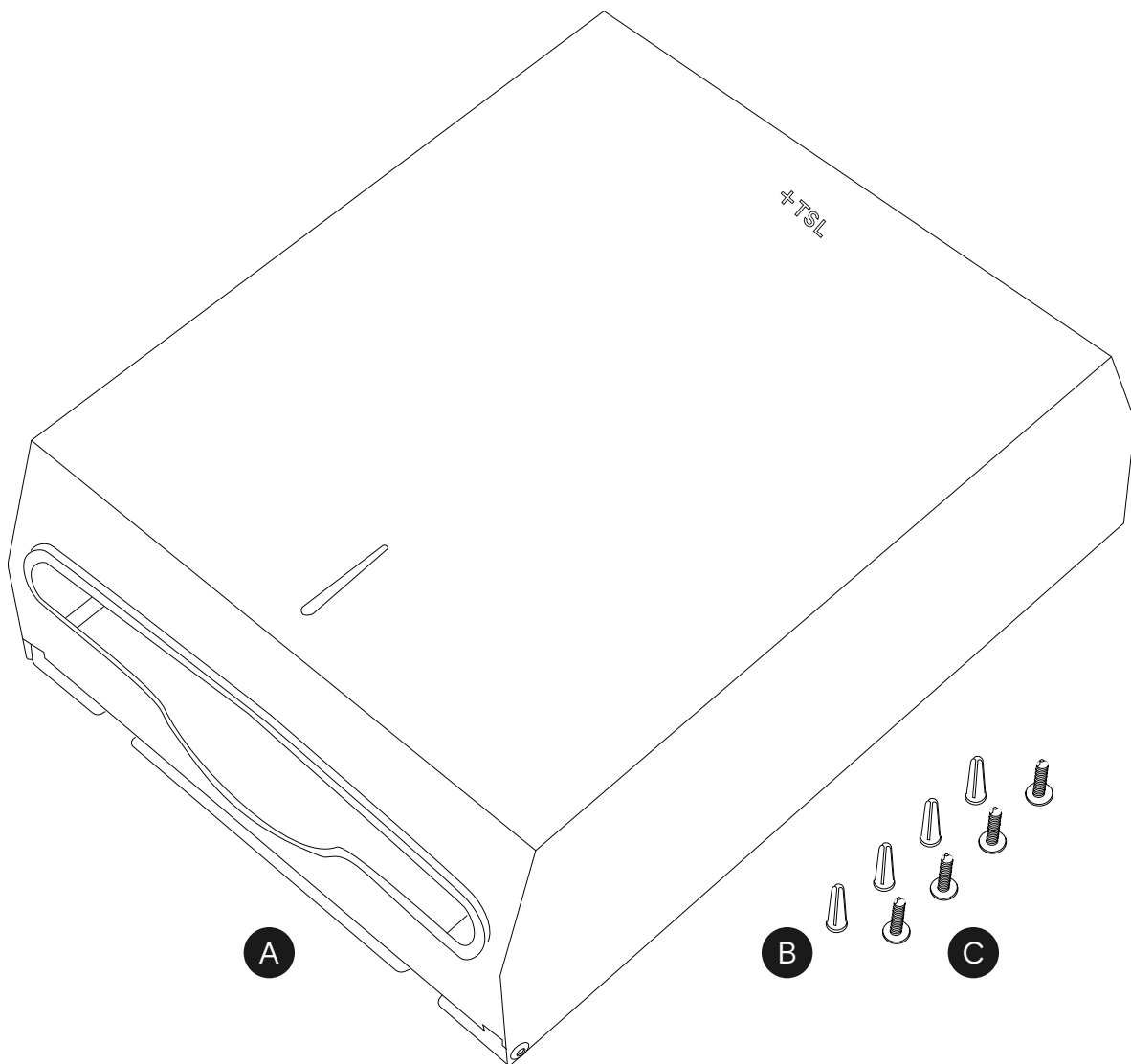
installation + maintenance

+  
THE  
SPLASH  
LAB

# contents

3	Box contents
4	Technical data
5	Before you install
6	How to install
7	Operation + maintenance
8	Warranty
9	Contact

# box contents



A Paper towel dispenser

---

B Wall anchor x4

---

C Mounting screw x4

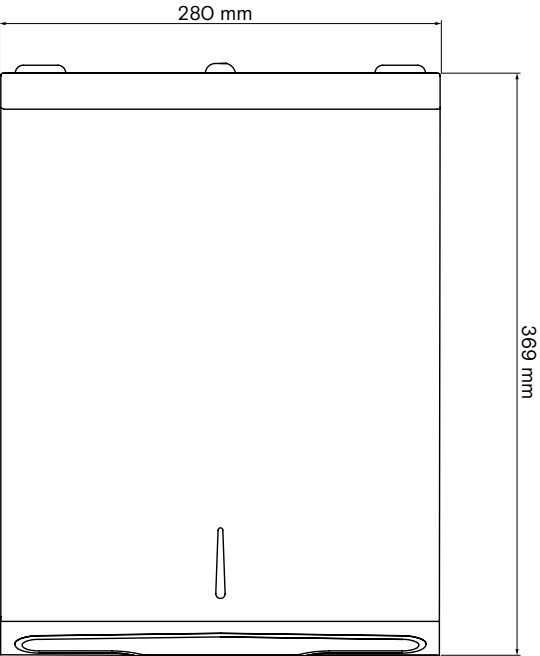
---

# technical data

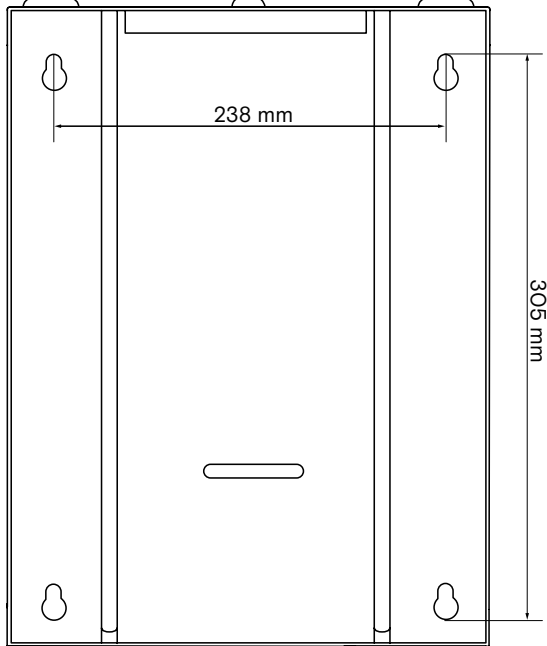
<b>Finishes</b>	CS (Brushed satin stainless steel) BK (Brushed black PVD) BR (Brushed brass PVD) CP (Brushed copper PVD) BZ (Brushed bronze PVD)
<b>Weight</b>	2.31 kg
<b>Stainless steel grade</b>	304 AISI Stainless steel
<b>Capacity</b>	400-600 sheets max fold size 270x110mm
<b>Warranty</b>	1 year limited warranty
<b>Installation requirements</b>	Must be fixed to a firm wall surface, with fixings appropriate to the wall substrate.

# before you install

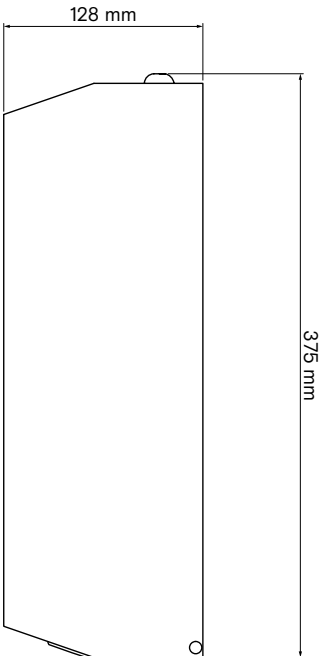
FRONT



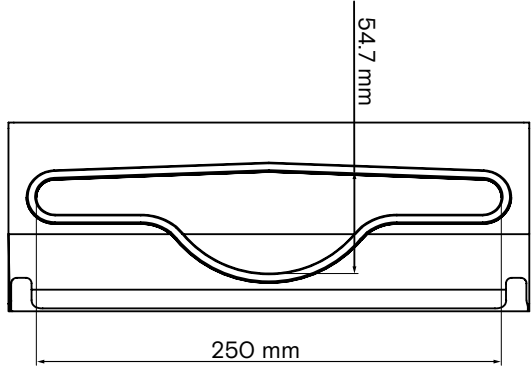
FIXING



SIDE



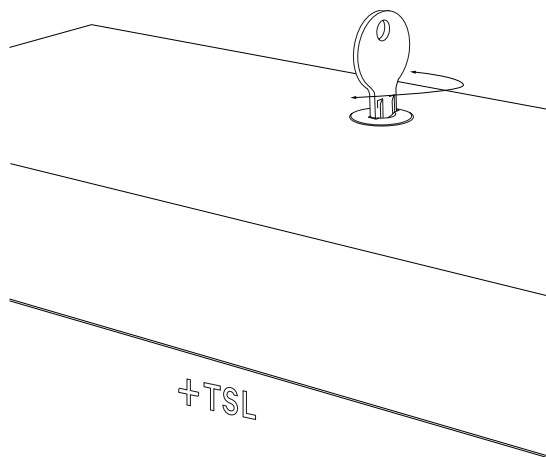
UNDER



# how to install

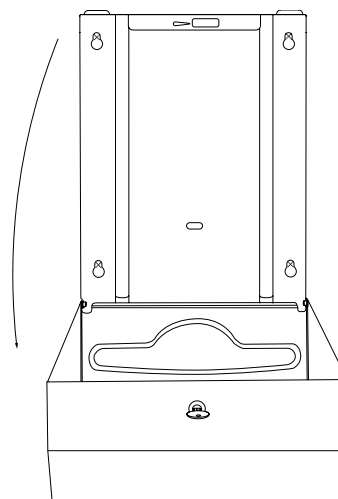
**1**

Unlock the housing and swing the door open



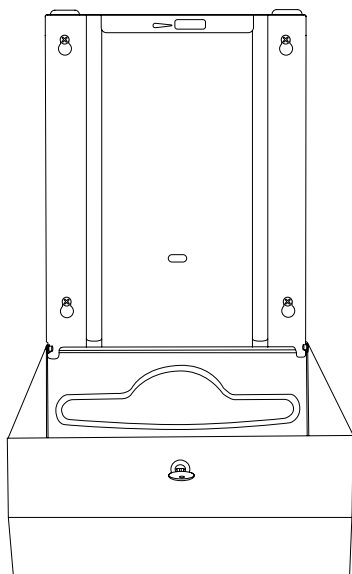
**2**

Place the dispenser against the wall and marking fixing locations.



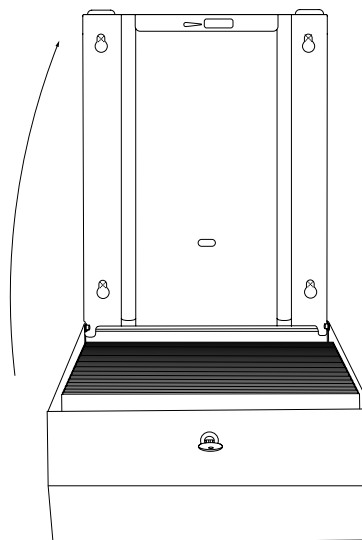
**3**

Drill four holes, and insert the wall anchors and mounting screws. Leave a small gap to allow the housing to sit snugly between the screw head and the wall



**4**

Load the dispenser housing with paper towels. Then close the door and secure with the key. The dispenser is now ready for use.



# operation + maintenance

## operation

Thread a paper towel through the opening on the bottom by tugging on the free end. The action of removing each towel will position the next at the opening.

## cleaning

All grades of stainless steel will stain or discolour if due care and attention is not taken. The surface must be regularly cleaned to ensure a long service life of the dispenser.

Use a soft cloth or sponge with a mild solution of soapy water as part of the regular washroom janitorial routine.

Do not use abrasive or cream cleaners as these will damage the surface finish.

If the dispenser is subjected to a highly chlorinated environment eg swimming pools or marine coastal locations, a further treatment, in addition to the regular cleaning as described above, is recommended by the application of a household cleaning product containing silicone.

If further information is required, contact The Splash Lab technical team for more detailed stainless steel care guidelines.

## maintenance

The dispenser should be inspected periodically to check that no damage has occurred and that the screws securing the housing are tight.

## refilling

Unlock the dispenser with the provided key to add more paper towels when supply is exhausted or as needed.

# warranty

We believe the future is personal. With a global mindset, we challenge conventional restroom norms via product innovation to create considered washroom solutions for corporate and educational spaces. We use rich raw materials, cutting-edge automation and considered washroom design to powerfully and positively influence the lives of people. We are The Splash Lab.

Demonstrating our commitment to quality and our belief in the strength of our designs, we can offer the following warranties.

The Splash Lab will warrant that its products will be free of manufacturing and material defects during normal use and environmental conditions as detailed below:

## **TSL.735 Paper Towel Dispenser                      1 year limited warranty**

If a defect is found in normal use, The Splash Lab will, at their discretion, repair, provide a replacement part or product, or make appropriate adjustments. Damage caused by accident, misuse, or abuse is not covered by this warranty. Improper care and cleaning will void the warranty.

Non-operation of the product due to environmental conditions beyond our control, installation error, incorrect maintenance, water quality, fair wear and tear, incorrect or inappropriate installation, misuse and abuse is not covered by the warranty.

Proof of purchase (original sales receipt) must be provided to The Splash Lab with all warranty claims. The above warranty is valid for goods supplied within the United Kingdom.

For goods supplied outside of the United Kingdom, The Splash Lab will honor the above stated warranty periods for the parts only.

**THE SPLASH LAB DISCLAIMS ANY LIABILITY FOR SPECIAL, INCIDENTAL OR CONSEQUENTIAL DAMAGES.**



# contact



## General information

[info.uk@thesplashlab.com](mailto:info.uk@thesplashlab.com)

+44 (0)161 482 7000

Unit 34, Meadow Industrial Estate,

Water Street

Stockport SK1 2BU

United Kingdom

Technical support

[info.uk@thesplashlab.com](mailto:info.uk@thesplashlab.com)

For further information visit:

[www.thesplashlab.com/uk](http://www.thesplashlab.com/uk)

