

TSL.673

Universal Click Clack Waste

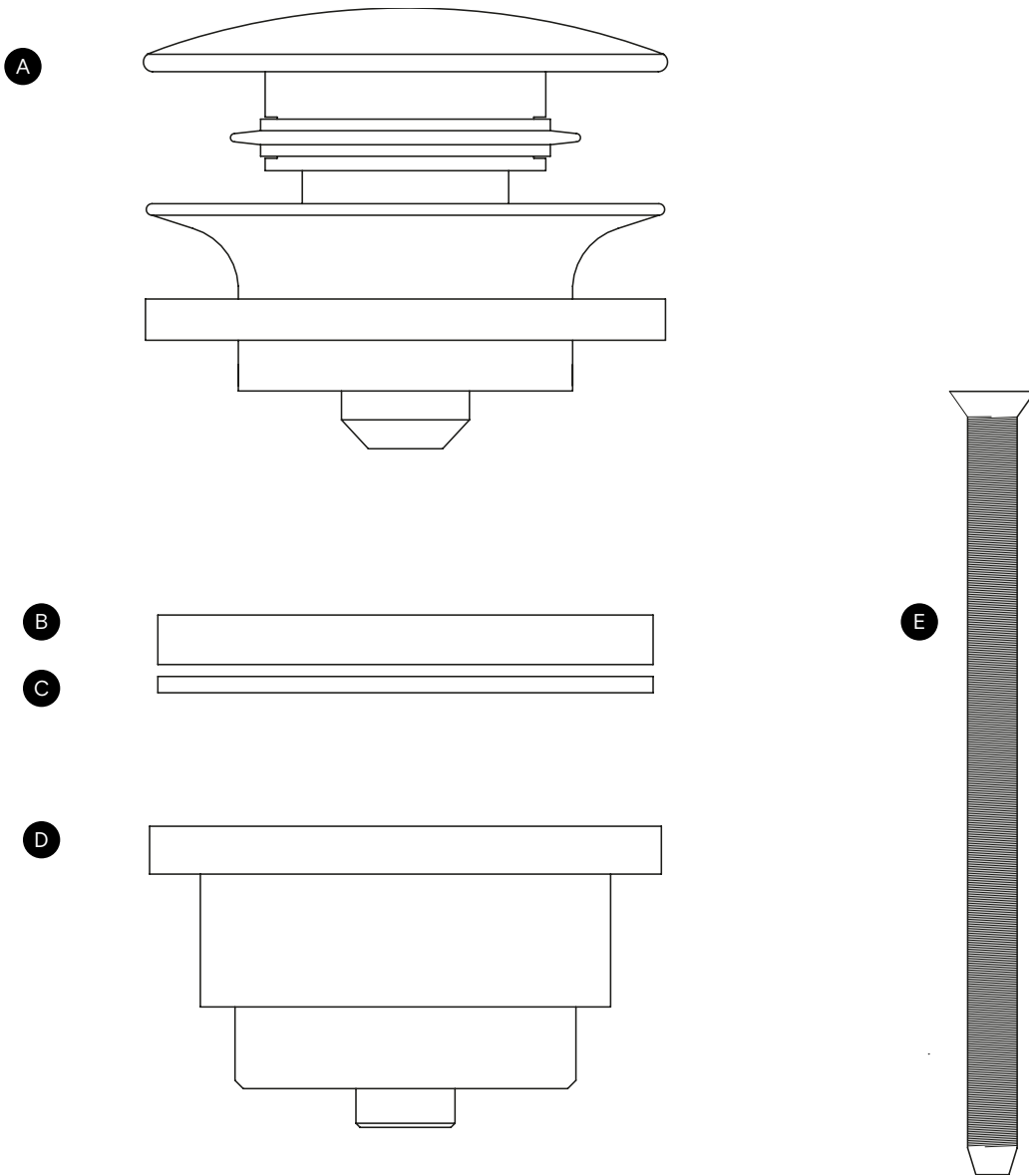
installation + maintenance

+
THE
SPLASH
LAB

contents

3	Box contents
4	Technical data
6	How to install
7	Operation + maintenance
8	Warranty
9	Contact

box contents



A Spring-loaded plug and waste grate

B Foam washer

C PVC washer

D Waste body assembly

E Locking nut

technical data

CS (Brushed satin stainless steel)
BK (Brushed black PVD)
BR (Brushed brass PVD)
CP (Brushed copper PVD)
BZ (Brushed bronze PVD)

Finishes

Weight

0.25 kg

Stainless steel grade

304 AISI Stainless steel

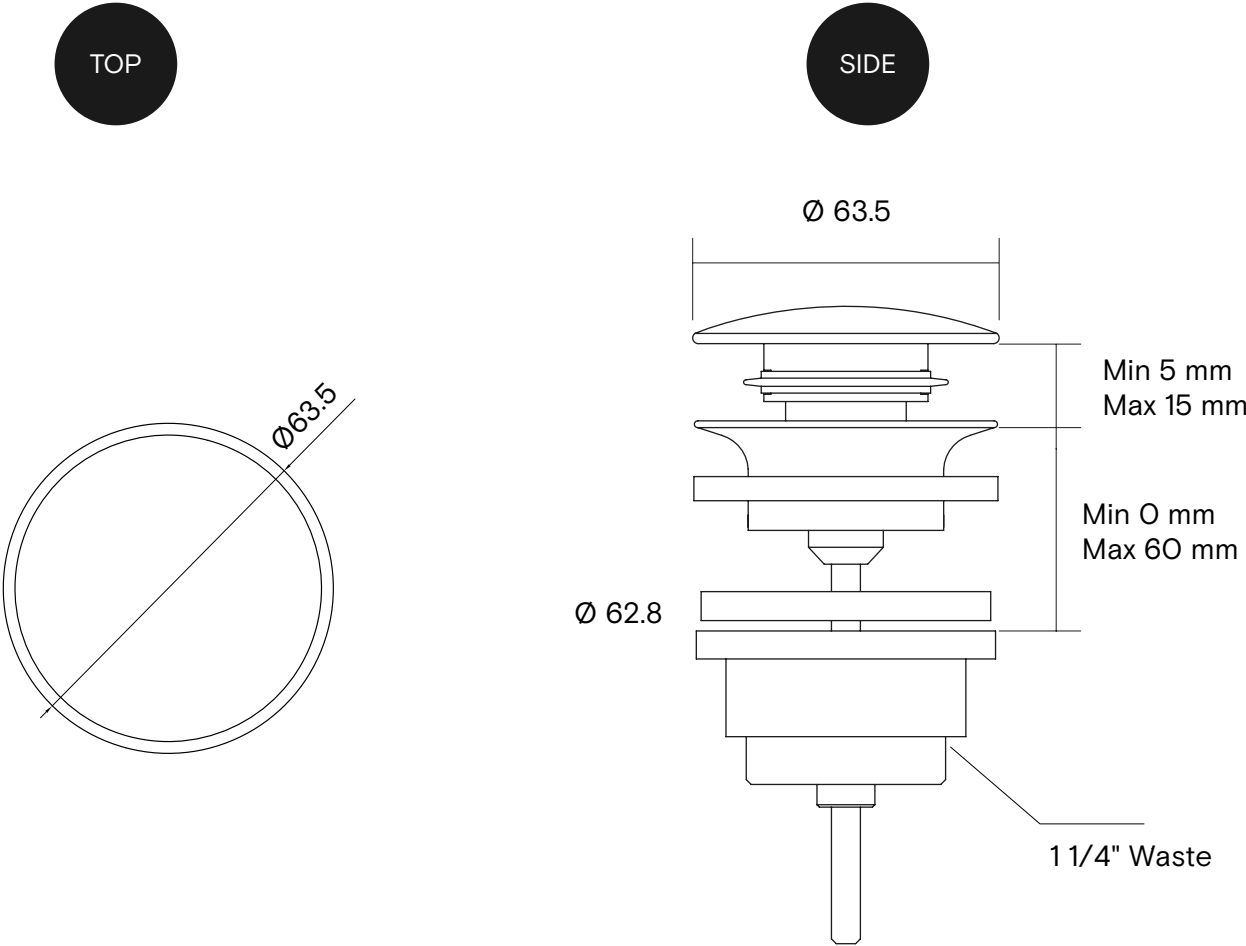
Compatibility

Slotted and unslotted basin

Warranty

1 year limited warranty

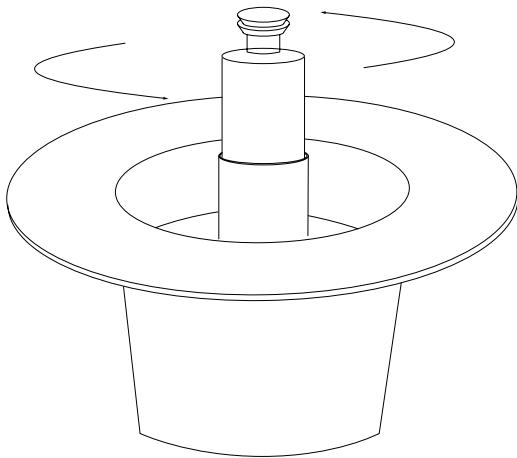
technical illustration



how to install

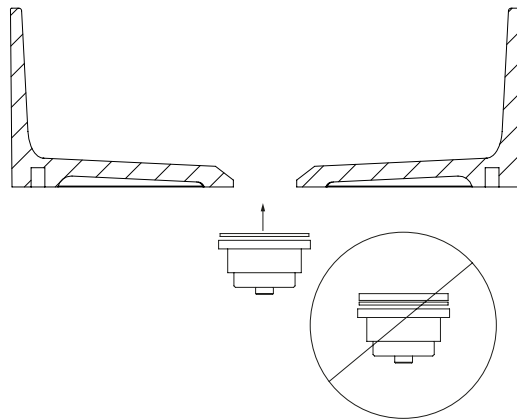
1

Unscrew the plug from the assembly (A) and use a wrench to remove the spring mechanism.



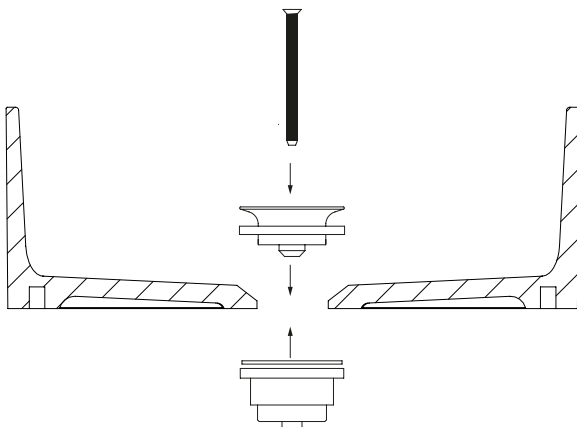
2

Position the correct washer on top of the waste body assembly (D) and fit to the underside of the basin drain hole. Do not use both provided washers.



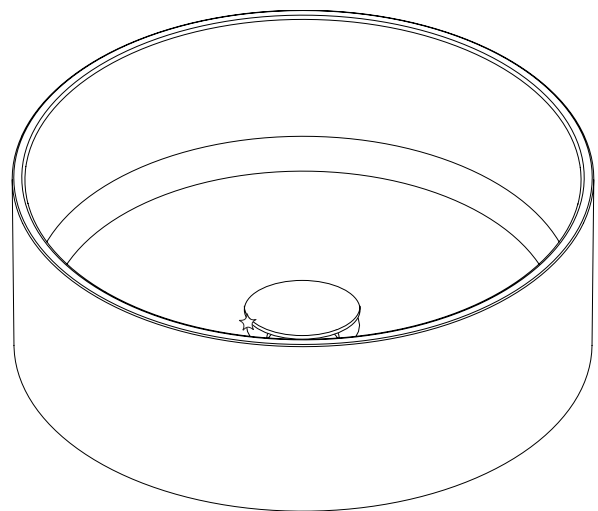
3

Position Part A above the drain hole and thread the locking bolt the assembly into Part B. Use a screwdriver to tighten fully.



4

Screw the spring mechanism back into place in Part A and then replace the drain cover.



operation + maintenance

cleaning

All grades of stainless steel will stain or discolour if due care and attention is not taken. The surface must be regularly cleaned to ensure a long service life of the dispenser.

Use a soft cloth or sponge with a mild solution of soapy water as part of the regular washroom janitorial routine.

Do not use abrasive or cream cleaners as these will damage the surface finish.

Keep clear of hair and debris.

If the dispenser is subjected to a highly chlorinated environment eg swimming pools or marine coastal locations, a further treatment, in addition to the regular cleaning as described above, is recommended by the application of a household cleaning product containing silicone.

If further information is required, contact The Splash Lab technical team for more detailed stainless steel care guidelines.

maintenance

The waste grate should be inspected periodically to check that no damage has occurred and fittings are still tight.

warranty

We believe the future is personal. With a global mindset, we challenge conventional restroom norms via product innovation to create considered washroom solutions for corporate and educational spaces. We use rich raw materials, cutting-edge automation and considered washroom design to powerfully and positively influence the lives of people. We are The Splash Lab.

Demonstrating our commitment to quality and our belief in the strength of our designs, we can offer the following warranties.

The Splash Lab will warrant that its products will be free of manufacturing and material defects during normal use and environmental conditions as detailed below:

TSL.673 Universal Click Clack Waste 1 year limited warranty

If a defect is found in normal use, The Splash Lab will, at their discretion, repair, provide a replacement part or product, or make appropriate adjustments. Damage caused by accident, misuse, or abuse is not covered by this warranty. Improper care and cleaning will void the warranty.

Non-operation of the product due to environmental conditions beyond our control, installation error, incorrect maintenance, water quality, fair wear and tear, incorrect or inappropriate installation, misuse and abuse is not covered by the warranty.

Proof of purchase (original sales receipt) must be provided to The Splash Lab with all warranty claims. The above warranty is valid for goods supplied within the United Kingdom.

For goods supplied outside of the United Kingdom, The Splash Lab will honor the above stated warranty periods for the parts only.

THE SPLASH LAB DISCLAIMS ANY LIABILITY FOR SPECIAL, INCIDENTAL OR CONSEQUENTIAL DAMAGES.

contact



General information

info.uk@thesplashlab.com

+44 (0)161 482 7000

Unit 34, Meadow Industrial Estate,

Water Street

Stockport SK1 2BU

United Kingdom

Technical support

info.uk@thesplashlab.com

For further information visit:

www.thesplashlab.com/uk

