

Toilet Brush with Holder

TSL.323

The TSL.323 Toilet Brush with Holder is a minimalist practical, stylish, compact design; fit for purpose within high footfall sectors such as office, retail, museum, transport and hospitality.

Finish	Codes	LRV*
● Black	TSL.323.BK	3
● Brass	TSL.323.BR	40
● Satin	TSL.323.CS	58
● Bronze	TSL.323.BZ	17
● Copper	TSL.323.CP	19

Light Reflectance Value*



Technical Data

Material	AISI304 stainless steel
Weight	1.5kg

Installation requirements

Installation height	(All dimensions taken from finished floor level to base of hand dryer) Male washroom 1220mm Female washroom 1120mm Primary school washroom 910mm Wheelchair accessible 910mm
Washroom layout	Number of hand dryers to be fitted – for toilet areas with normal frequency; one dryer per two washbasins. In high-frequency use toilet areas; two dryers per 3 basins. In very high frequency use washrooms, one dryer per basin. Mounting template included with dryer. Ideal location – between washbasin and exit. If mounted over a washbasin, recommended minimum distance from dryer to basin should be 300mm. Dryer can be installed behind a mirror or cabinet, but must be accessible for maintenance. In this application, the dryer must be mounted with the base flush with the base of the mirror or cabinet so that the sensor is not obstructed. Recommended mounting substrate is a solid wall. If dryer is installed on a stud plasterboard wall, sound levels are likely to exceed 78dB.

Compliance & certificates

CE

UL

RoHS

UKCA

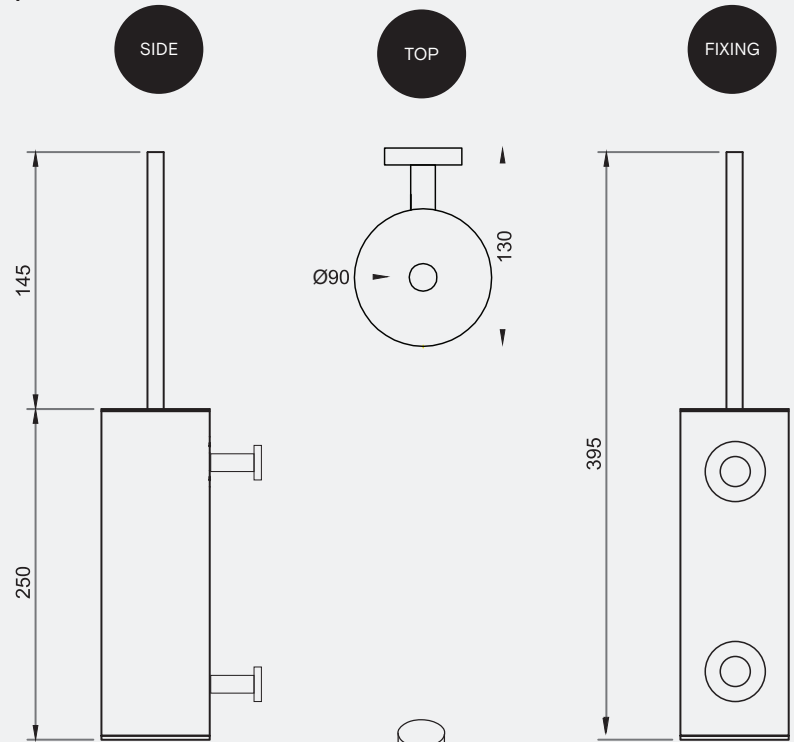
Included

Toilet Brush with Holder TSL.323

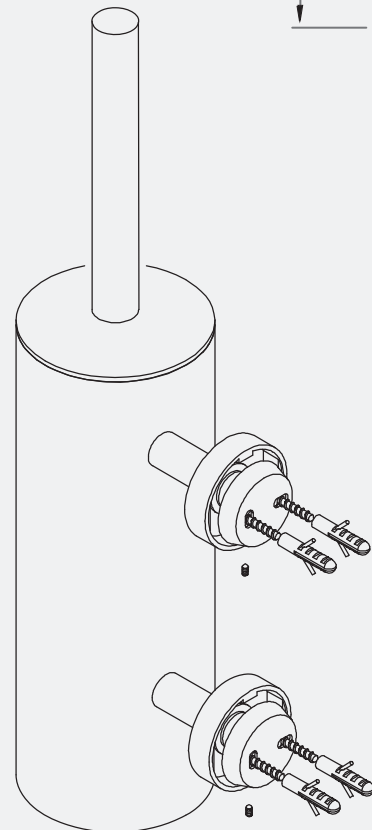
Warranty

2 years from the date of purchase

+ Technical drawing - 1



+ Technical drawing - 2



Related Documents

Installation and maintenance manual

email: info.uk@thesplashlab.com

Warranty document

email: info.uk@thesplashlab.com