

# 25L Waste Receptacle

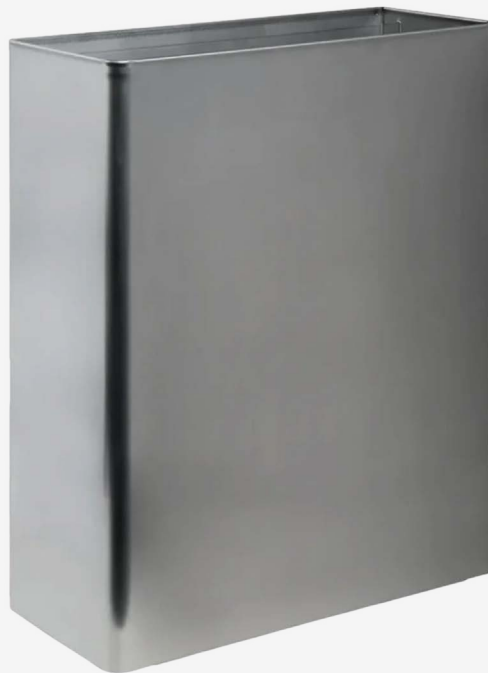
TSL.279

The TSL.279 is a stainless steel waste bin, available wall mounted, with a 25 litre capacity.

Finish	Codes	LRV*
● Black	TSL.279.BK	3
● Brass	TSL.279.BR	40
● Satin	TSL.279.CS	58
● Bronze	TSL.279.BZ	17
● Copper	TSL.279.CP	19

Light Reflectance Value\*

+ Satin



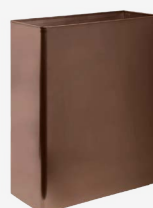
+ Black



+ Brass



+ Bronze



+ Copper



**Technical Data**

---

Weight 2.92kg

---

Stainless steel 304

---

Capacity 25 litres

---

**Installation requirements**

---

Installation and maintenance manual

---

Warranty document

---

**Compliance & certificates**

---

CE

---

UL

---

RoHS

---

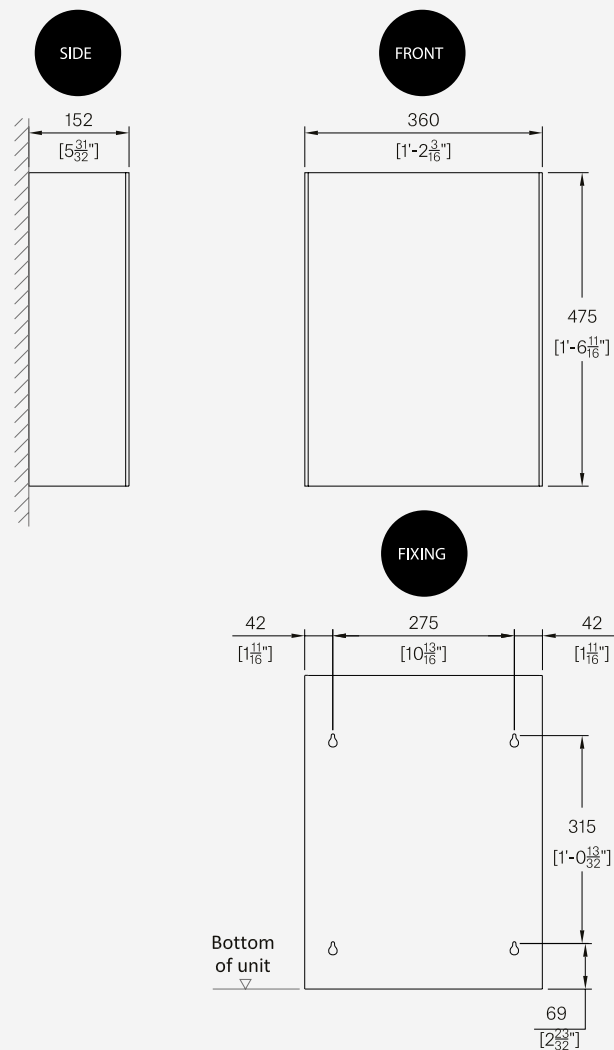
UKCA

---

## Included

TSL.279 25L Waste Receptacle

## + Technical drawing



## Spare parts

For warranty terms and conditions please visit [www.thesplashlab.com](http://www.thesplashlab.com)

If additional spare parts are required and are not listed above, please contact us at [info.uk@thesplashlab.com](mailto:info.uk@thesplashlab.com)

Part	Codes
Motor	TSLP.260040
PCB (includes sensor)	TSLP.409498

## Related products



**Waste Grate**  
TSL.680



**Universal Click Clack Waste Fitting**  
TSL.673



**Circular Waste Chute**  
TSL.R15