

# Universal Click Clack Waste Fitting

TSL.673

The TSL.673 is a universal basin waste, 1/4" connection, constructed from stainless steel and available in a selection of finishes.

Finish	Codes	LRV*
● Black	TSL.673.BK	3
● Brass	TSL.673.BR	40
● Satin	TSL.673.CS	58
● Bronze	TSL.673.BZ	17
● Copper	TSL.673.CP	19

Light Reflectance Value\*

**+ Satin**



**+ Black**



**+ Brass**



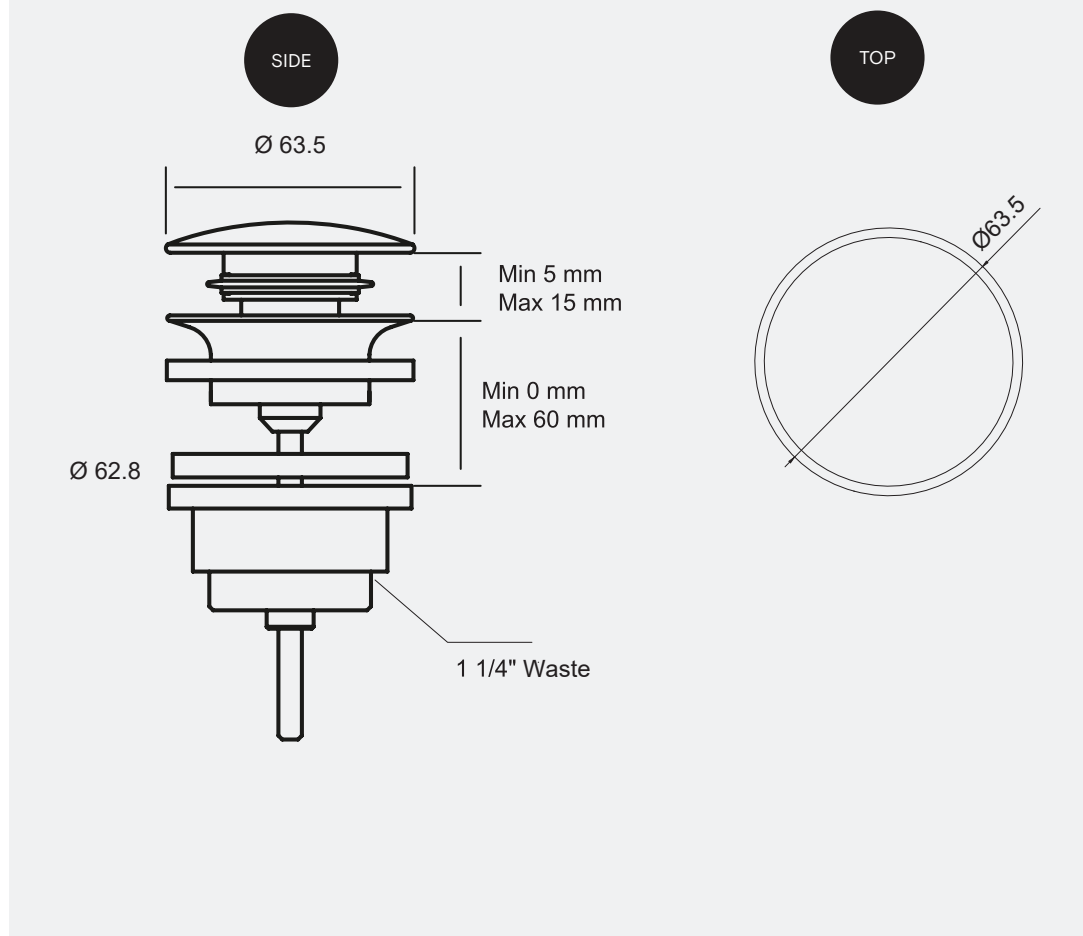
**+ Bronze**



**+ Copper**



+ Technical drawing



**Installation requirements**

The waste fitting is to be connected to a standard 1 1/4" wide.

**Warranty & Spare parts**

For warranty terms and conditions please visit [www.thesplashlab.com](http://www.thesplashlab.com)

If additional spare parts are required and are not listed above, please contact us at [info.uk@thesplashlab.com](mailto:info.uk@thesplashlab.com)

**Technical Data**

Weight	0.25 kg
Stainless steel	AISI304

**Related documents**

Installation and maintenance manual	<a href="mailto:info.uk@thesplashlab.com">info.uk@thesplashlab.com</a>
Warranty document	<a href="mailto:info.uk@thesplashlab.com">info.uk@thesplashlab.com</a>