

8 7 6 5 4 3 2 1

F F

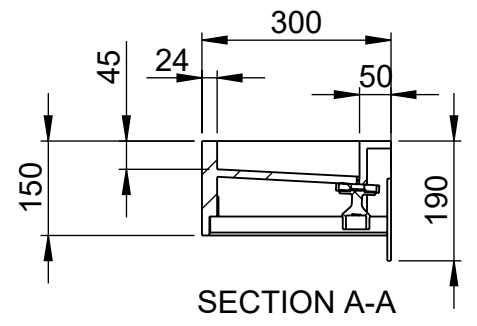
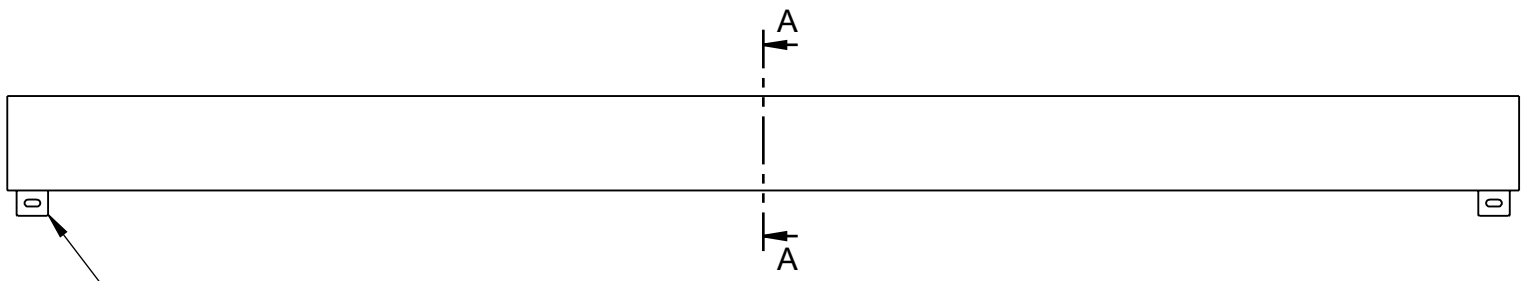
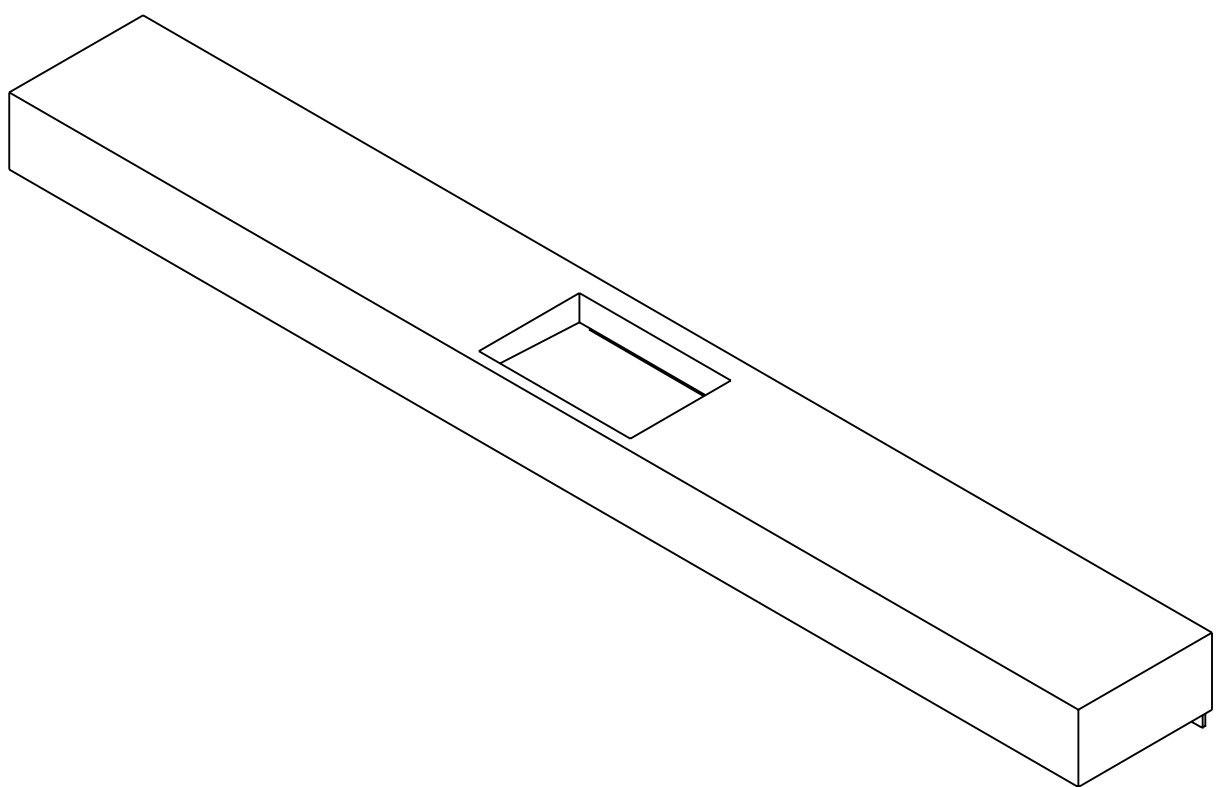
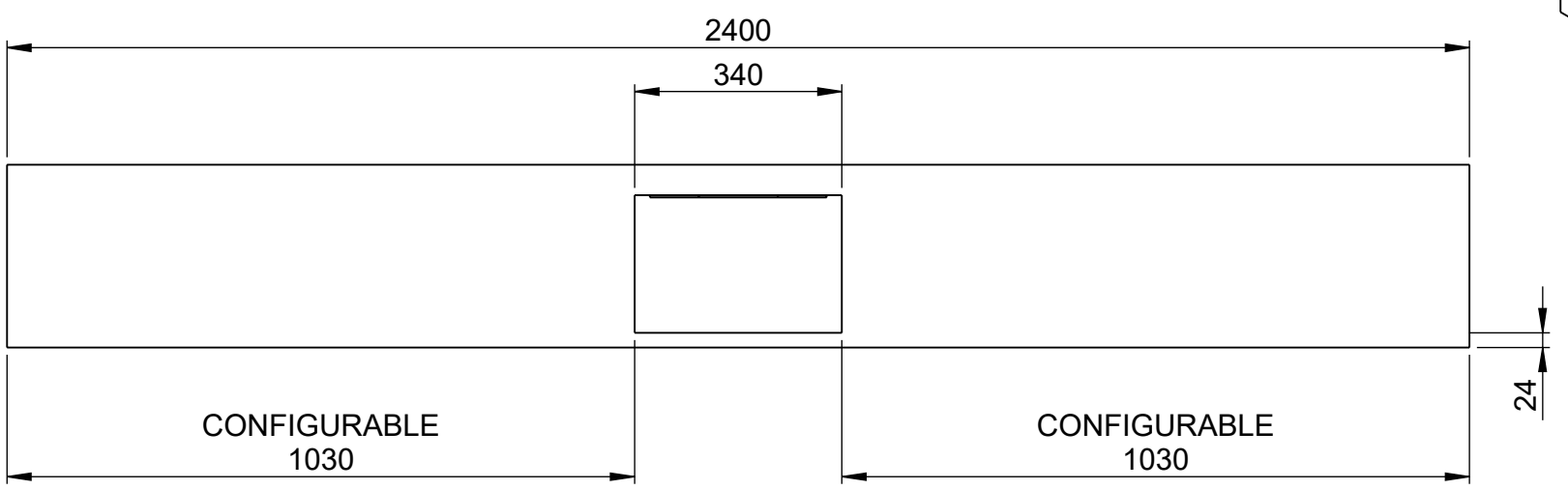
E E

D D

C C

B B

A A



RECOMMEND MOUNTING BRACKETS EVERY 600MM

ITEM NO.	PART NUMBER	DESCRIPTION	QTY.
1	TSL.SX24	TSL.SX24	1
2	TSL MONOLITH - WASTE TRAP	TSL WASTE TRAP	1
3	TSLP.S.SXBKT	300 STRAIGHT BRACKET	N/A

DRAWING NOTES & REVISION HISTORY


**+**  
**THE**  
**SPLASH**  
**LAB**

UNLESS OTHERWISE SPECIFIED:  
DIMENSIONS ARE IN MILLIMETERS  
SURFACE FINISH:  
TOLERANCES: +/- 3MM

PROPRIETARY AND CONFIDENTIAL  
THE INFORMATION CONTAINED IN  
THIS DRAWING IS THE SOLE PROPERTY  
OF THE SPLASH LAB ANY  
REPRODUCTION  
IN PART OR AS A WHOLE WITHOUT THE  
WRITTEN PERMISSION OF THE SPLASH  
LAB IS PROHIBITED

TSL MONOLITH - UK SERIES 2D V1.0			
	NAME	SIGNATURE	DATE
DRAWN	TP		29/11/2022
APPV'D			
QUANTITY	1		
USERS			
COLOUR	WHITE		
MATERIAL	SOLID SURFACE		
WEIGHT	TBC		

DO NOT SCALE DRAWING		REVISION 1
TITLE		
<b>TSL.SX240</b>		
CLIENT		A3
<b>THE SPLASH LAB</b>		
SCALE:1:12		

8 7 6 5 4 3 2 1