

LV22

Soap Dispenser

The L-V22 is a pump action wall mounted soap dispenser in stainless steel. The dispenser comes complete with an ABS plastic refillable reservoir, and has a 1000ml (0.26 GAL (US)) capacity.



Codes

L-V22

Technical Data

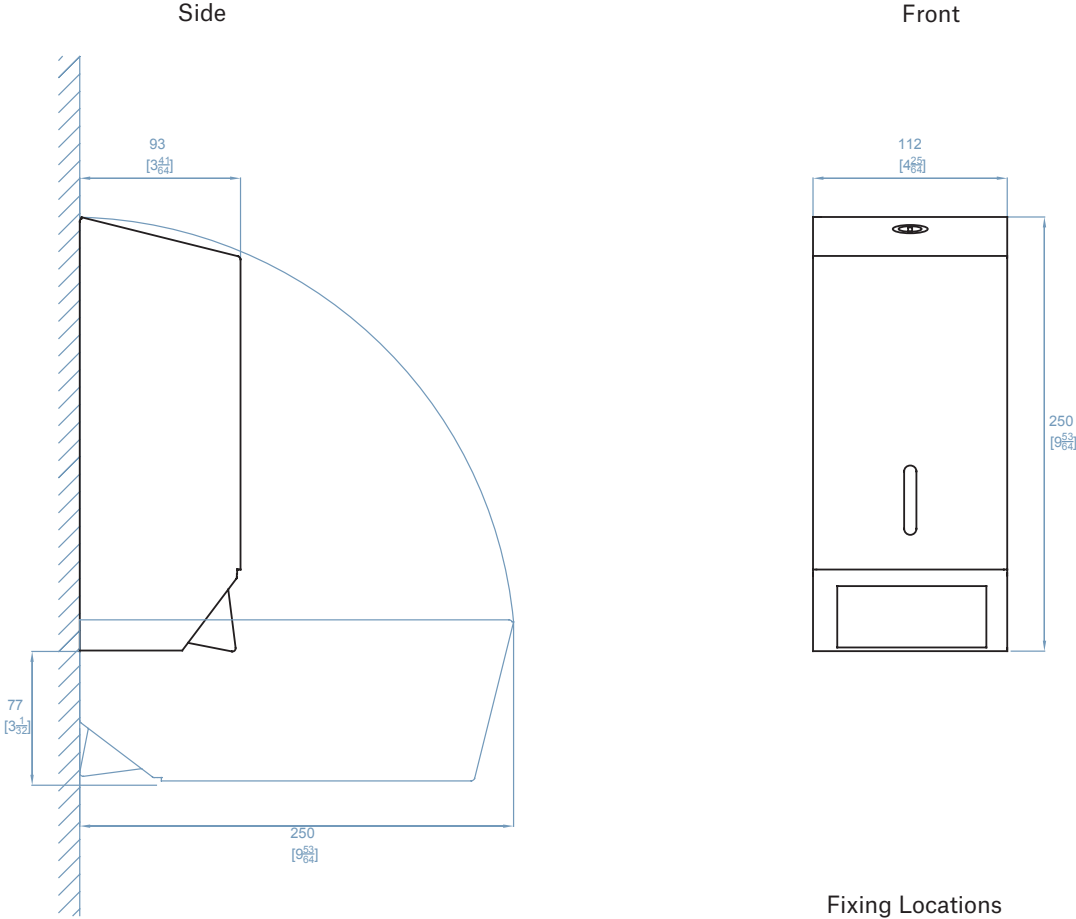
| | |
|----------------------------|--|
| Finishes | CS (Satin) |
| Warranty | 12 months from date of purchase |
| Weight | 1.22Kg (2lb 11oz) |
| Recommended soap viscosity | 100 to 3800 cPs For liquid soap only. Not for use with foam soap, alcohol gel or hand sanitizer. |
| Capacity | 1000ml (0.26 GAL (US)) |
| Stainless steel grade | AISI304 |
| Standard discharge | 1cc |

Related Documents

| | |
|----------------------------------|--|
| Installation manual | email: |
| Operation and maintenance manual | info.uk@thesplashlab.com |
| Warranty document | |

TSL + HERITAGE

Technical Drawing



Fixing Locations

