

L284W

Baby Change
Station

The L284 is a horizontal wall mounted baby change station with a weight capacity of 100kg (220lb), and a vertical version is also available.



Codes

L-284

Technical Data

Finishes	W (White)
Warranty	2 years from date of purchase
Weight capacity	100Kg (220lb)
Weight	6.92Kg (15lb 4oz)
Operation	Gas strut assistance to lower table. Baby is secured to table with integral restraint strap

Spare Parts

L284/Strap	Replacement strap
L030001	Replacement pivot bolt
L030002	Pivot bolt cover cap

Related Documents

Installation and maintenance manual	email: info.uk@thesplashlab.com
Warranty document	email: info.uk@thesplashlab.com

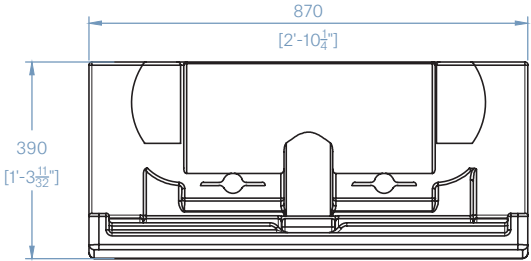
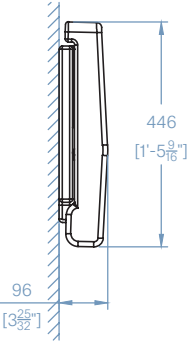
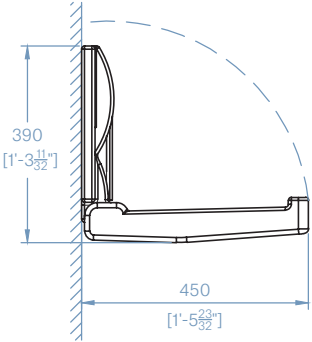
TSL + HERITAGE

TECHNICAL DRAWING

SIDE

FRONT

(closed position)



Fixing positions

