

L221

Toilet Brush

The L-221 is a cylindrical toilet brush and holder in stainless steel, and can be floor standing or wall mounted.



## Codes

---

L221

## Technical Data

---

Finishes	C (Chrome) / CS (Satin)
Warranty	2 years from date of purchase
Weight	1.12Kg (2lb 7oz)
Stainless steel grade	AISI304

## Spare Parts

---

There are no user serviceable parts.

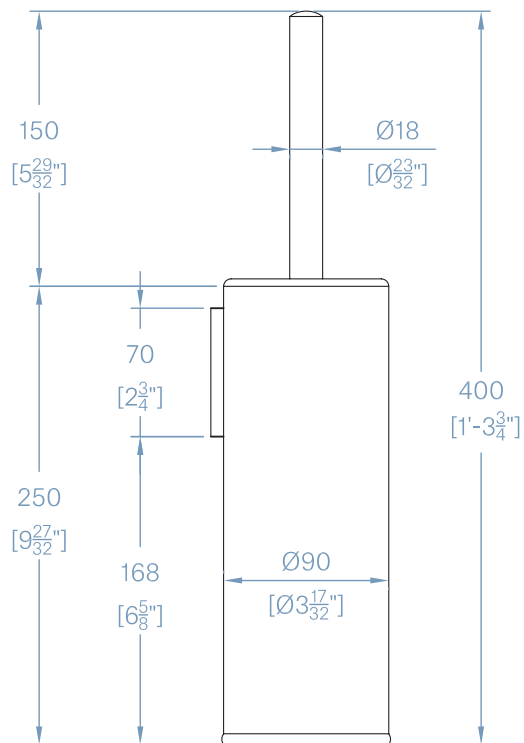
## Related Documents

---

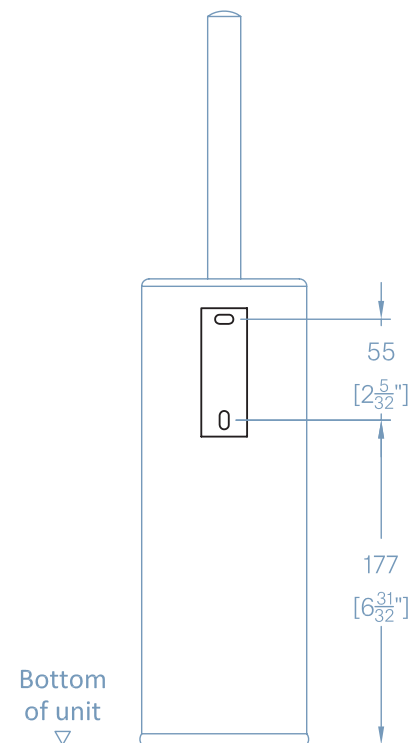
Installation manual                      email: [info.uk@thesplashlab.com](mailto:info.uk@thesplashlab.com)  
Operation and maintenance manual  
Warranty document

# TSL + HERITAGE

Side



Fixing Locations



Top

