

LR99

Behind the Mirror Paper Towel Dispenser

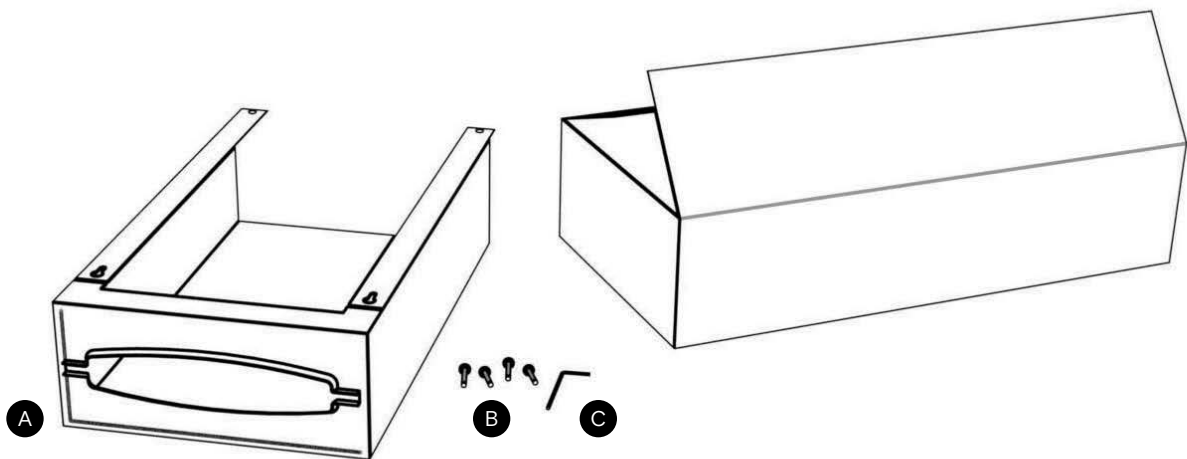
installation + maintenance

+
THE
SPLASH
LAB

contents

3	Box contents
4	Technical data
6	How to install
7	Operation + maintenance
8	Warranty
9	Contact

box contents



A Dispenser housing

B Mounting screws

C Hex key

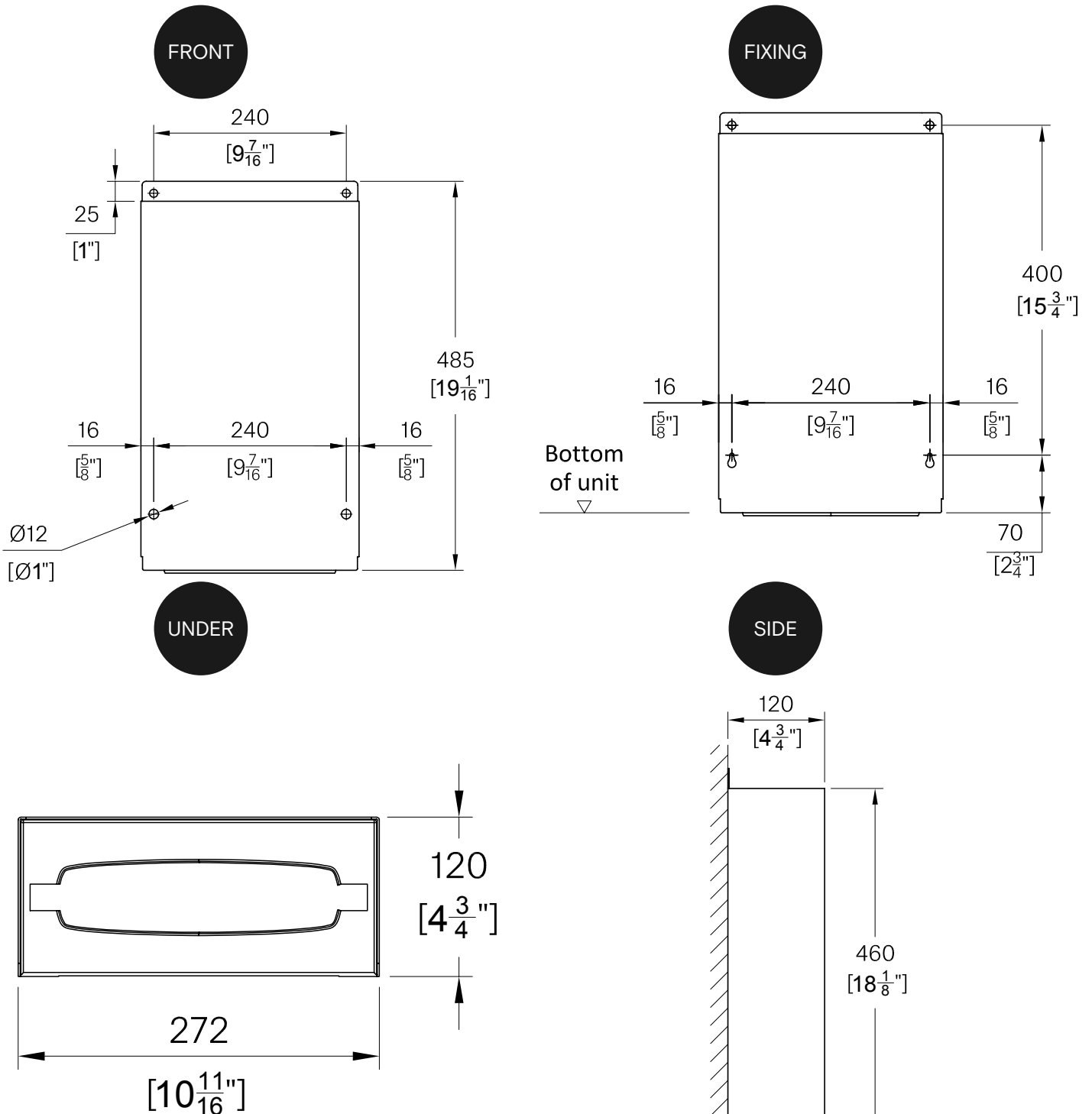
technical data

Finishes	CS (Brushed satin stainless steel)
Weight	2.26 KG
Stainless steel grade	304 AISI Stainless steel
Capacity	600-800 towels
Warranty	1 year limited warranty

technical illustration

Location

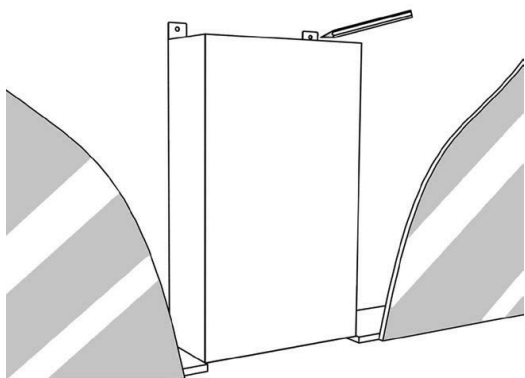
The dispenser must be fitted in a cabinet (typically over a washbasin or washtub) with an opening (272 x 120mm) that will accommodate the hinged flaps at its base.



how to install

1

Offer up the dispenser to the aperture (the flap face should be flush with the underside of the cabinet) and mark the fixing hole locations. Take the dispenser away.



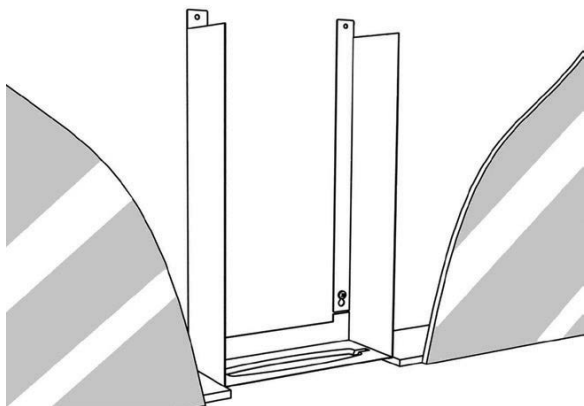
2

Fasten the screws for the 2 lower fixings, leaving 3-4mm of shank visible.



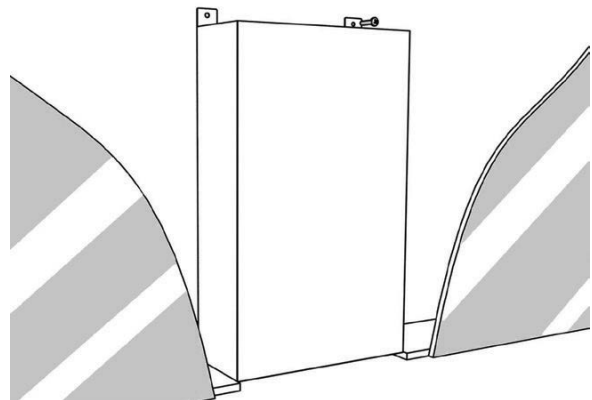
3

Hook the dispenser over the screws and press it down into the keyhole slots.



4

Fix screws through the 2 upper holes to fasten the dispenser securely.



operation + maintenance

operation

The user is to pull the towels from the opening at the base of the unit.

cleaning

All grades of stainless steel will stain or discolour if due care and attention is not taken. The surface must be regularly cleaned to ensure a long service life of the dispenser.

Use a soft cloth or sponge with a mild solution of soapy water as part of the regular washroom janitorial routine. Do not use abrasive or cream cleaners as these will damage the surface finish. If the dispenser is subjected to a highly chlorinated environment eg swimming pools or marine coastal locations, a further treatment, in addition to the regular cleaning as described above, is recommended by the application of a household cleaning product containing silicone.

If further information is required, contact Lovair technical team for more detailed stainless-steel care guidelines.

maintenance

The dispenser should be inspected periodically to check that no damage has occurred and that the spring-loaded flaps operate correctly.

refilling

The towels are to be refilled as required by loading the new towels through the spring-loaded flaps, ensuring there is a free edge of towel available for the user to grip. The capacity of the unit is approximately 600 – 800 towels, dependent on the thickness and grade of towel being used

warranty

We believe the future is personal. With a global mindset, we challenge conventional restroom norms via product innovation to create considered washroom solutions for corporate and educational spaces. We use rich raw materials, cutting-edge automation and considered washroom design to powerfully and positively influence the lives of people. We are The Splash Lab.

Demonstrating our commitment to quality and our belief in the strength of our designs, we can offer the following warranties.

The Splash Lab will warrant that its products will be free of manufacturing and material defects during normal use and environmental conditions as detailed below:

LR99 Paper Towel Dispenser 1 year limited warranty

If a defect is found in normal use, The Splash Lab will, at their discretion, repair, provide a replacement part or product, or make appropriate adjustments. Damage caused by accident, misuse, or abuse is not covered by this warranty. Improper care and cleaning will void the warranty.

Non-operation of the product due to environmental conditions beyond our control, installation error, incorrect maintenance, water quality, fair wear and tear, incorrect or inappropriate installation, misuse and abuse is not covered by the warranty.

Proof of purchase (original sales receipt) must be provided to The Splash Lab with all warranty claims. The above warranty is valid for goods supplied within the United Kingdom.

For goods supplied outside of the United Kingdom, The Splash Lab will honor the above stated warranty periods for the parts only.

THE SPLASH LAB DISCLAIMS ANY LIABILITY FOR SPECIAL, INCIDENTAL OR CONSEQUENTIAL DAMAGES.

contact



General information

info.uk@thesplashlab.com

+44 (0)161 482 7000

Unit 34, Meadow Industrial Estate,

Water Street

Stockport SK1 2BU

United Kingdom

Technical support

info.uk@thesplashlab.com

For further information visit:

www.thesplashlab.com/uk

