

The Monolith L Series

TSL.L6

The Monolith L Series is a modular solid surface basin system. The continuous trough and deep rear deck is ideal for both wall-mounted and deck-mounted features. This Monolith is available in a range of standard and bespoke lengths to accommodate users in any washroom

+ ONE USER BASIN



Technical Data

Warranty	10 years from date of purchase (terms and conditions apply)
Material	Solid surface
Support Brackets	Powder-coated steel - Refer to Installation manual for spacing and setting out
Finishes	See reference to supplier materials - Hi Macs, Corian

Installation requirements

Wall construction	Brackets included. Installer should ascertain that wall construction is sufficiently designed to support the Monolith.
Fixed height	See Drawing
Wall Fixings	Must be fixed to a suitable wall substrate to allow for the correct use of the Monolith. The Splash Lab recommend that installers contact a fixings specialist for advice to ensure the correct fixings are used for the location. Wall fixings are not included with the Monolith
Plumbing	Connection to 1 ¼" waste outlet required. (one connection per user) Installer to provide water for taps. See separate datasheet for The Splash Lab sensor taps.
Access requirements	Solenoid and isolation valves must be accessible for initial installation & commissioning and for ongoing and routine maintenance.
Material	Solid Surface

Included

- 1 x Monolith basin
- 2 x Mounting bracket
- 1 x Drainage funnel
- 1 x Drainage funnel gasket
- 4 x Drainage funnel fixings (M6 x 12 screw and washer)
- 2 x Mounting bolts (M6 x 35)
- 2 x Fixing nuts
- 4 x Washers (M6)

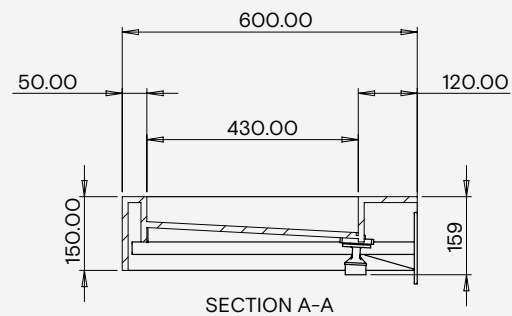
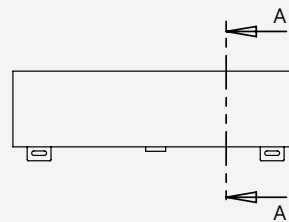
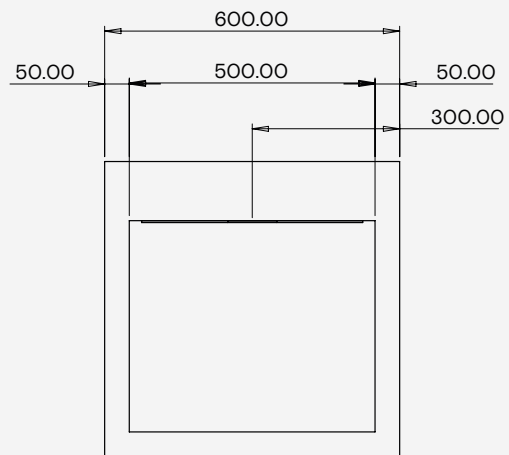
Not included

TSL.990 Sensor Deck Mounted Tap

Warranty

10 years on solid surface

+ Technical drawing



Spare parts

If a situation arises where you require replacement components outside of a maintenance contract, there may be provision to obtain spare parts. Providing the components are under warranty and the parts have become non-functioning during normal use within their assumed usable life, they may be replaced. Should a replacement mains power supply be required it is imperative that an identical type is used. Contact **The Splash Lab** for further information.

Related products



The Monolith L+ Series
TSL.LX



IR Sensor Tap
TSL.882



Sensor Deck Mounted Tap / Large
TSL.960