

8 7 6 5 4 3 2 1

F F

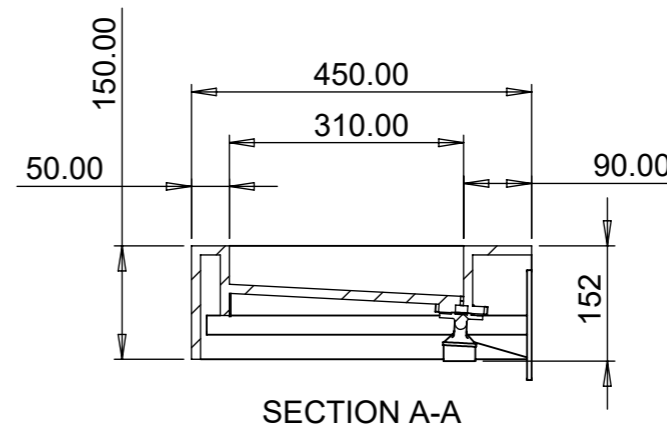
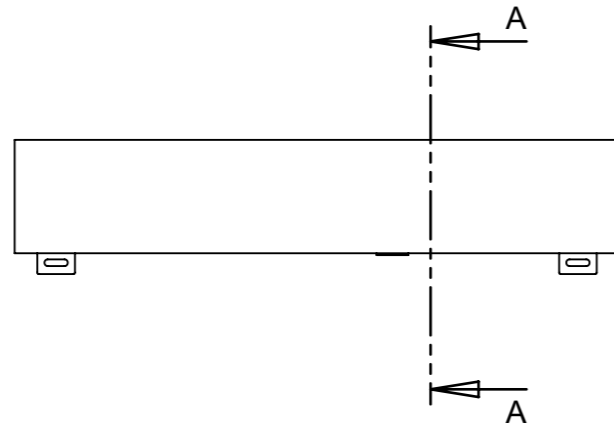
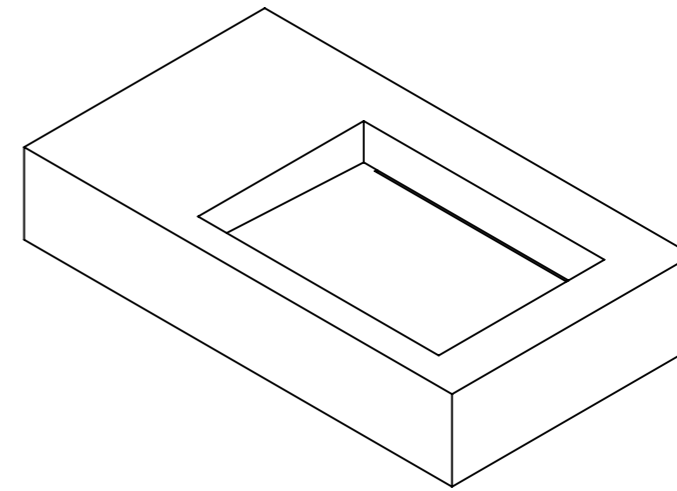
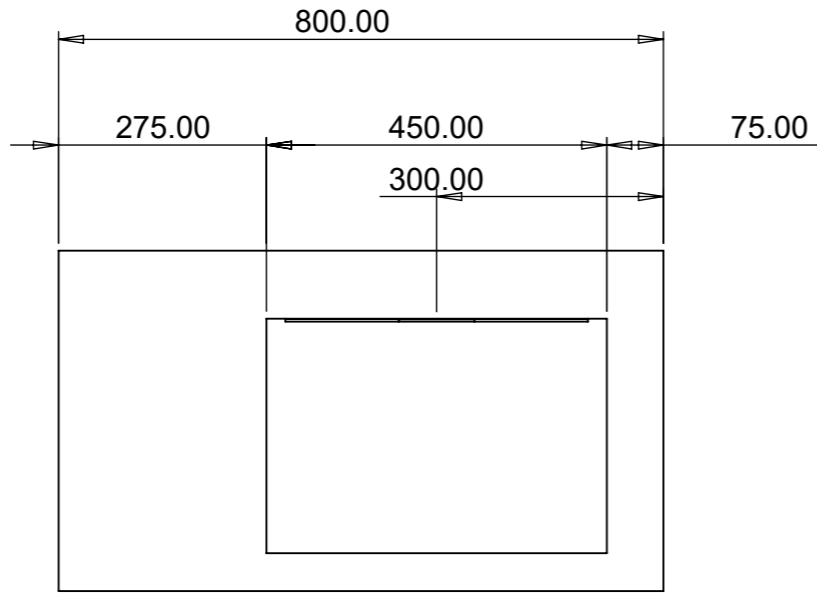
E E

D D

C C

B B

A A



ITEM NO.	PART NUMBER	MATERIAL	COLOUR	QTY.
2	TSL MONOLITH - CONTINUOUS BASIN MONOLITH TSL.BM80.LH	SOLID SURFACE	WHITE	1
5	TSL MONOLITH - WASTE TRAP MONOLITH 0083	RECYCLABLE POLYPROPYLENE		1
6	TSL STRAIGHT BRACKET	PLAIN CARBON STEEL		2

DRAWING NOTES & REVISION HISTORY						TSL MONOLITH - DRAWING MONOLITH TSL.BM80.LH		DO NOT SCALE DRAWING	REVISION 1
REVISION 1 - AS DRAWN						NAME	TWP	SIGNATURE	DATE
				QUANTITY	1		TSL.MX.80.LH		
				USERS	1				
				COLOUR	AS STATED IN BOM		CLIENT	MONOLITH	
				MATERIAL	AS STATED IN BOM				A3
				WEIGHT	11.26KG		SCALE:1:10	SHEET 1 OF 1	

8 7 6 5 4 3 2 1