

8 7 6 5 4 3 2 1

F F

E E

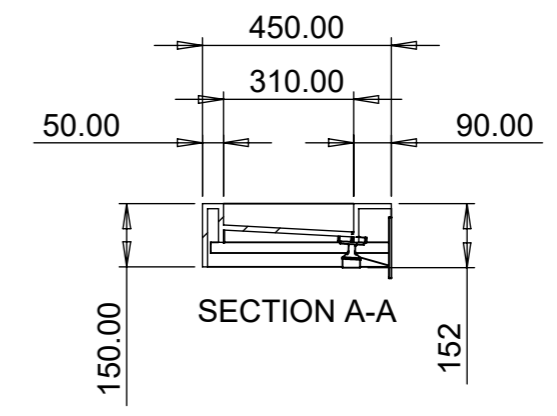
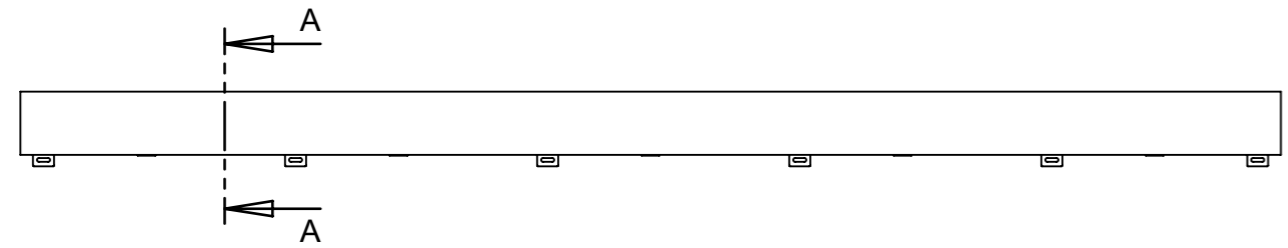
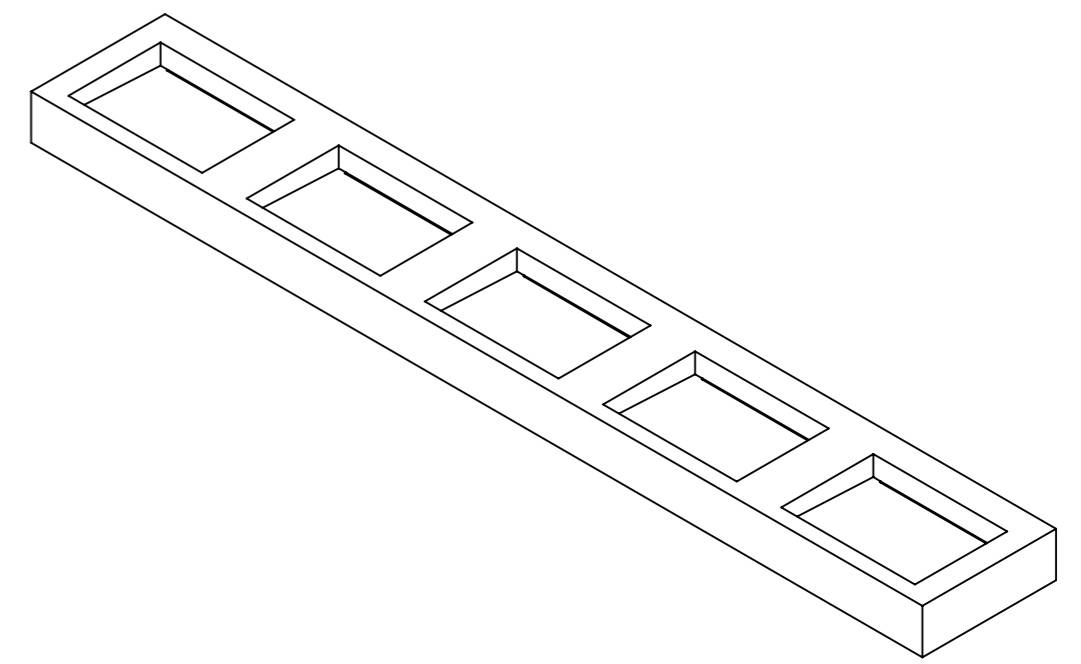
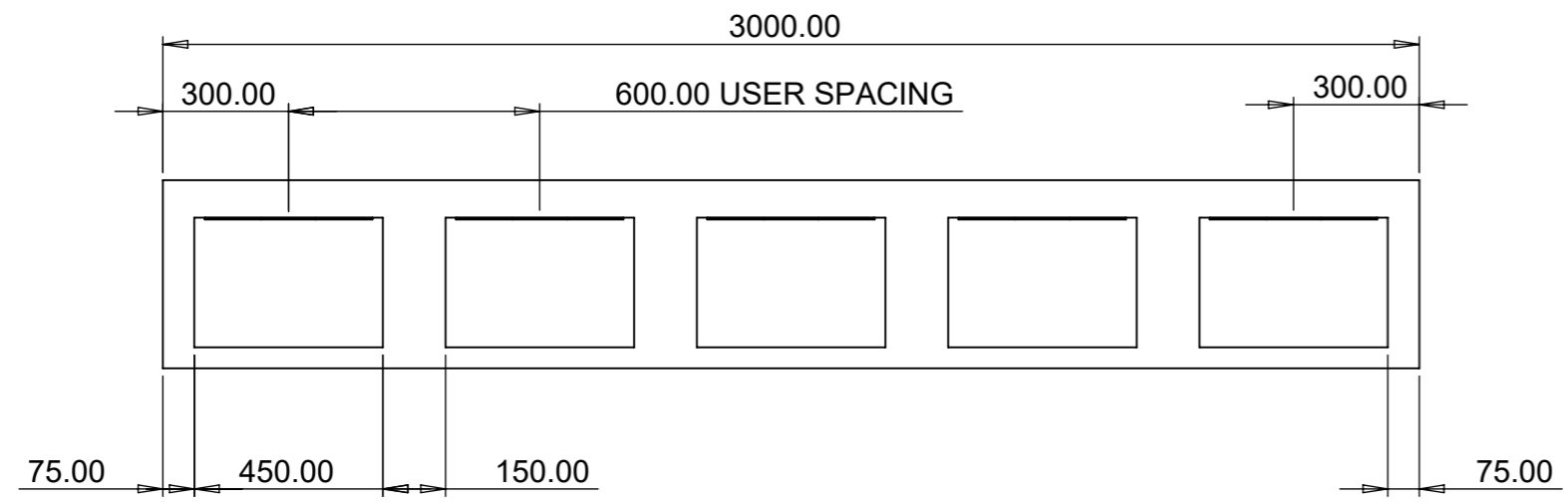
D D

C C

B B

A A

8 7 6 5 4 3 2 1



ITEM NO.	PART NUMBER	MATERIAL	COLOUR	QTY.
4	TSL MONOLITH - DIVIDED BASIN MONOLITH TSL.BM300	SOLID SURFACE	WHITE	1
1	TSL MONOLITH - WASTE TRAP MONOLITH 0105	RECYCLABLE POLYPROPYLENE		5
5	TSL STRAIGHT BRACKET	PLAIN CARBON STEEL		6

DRAWING NOTES & REVISION HISTORY			TSL MONOLITH - DRAWING MONOLITH TSL.BM300		DO NOT SCALE DRAWING	REVISION 1
REVISION 1 - AS DRAWN			NAME	SIGNATURE	DATE	TITLE:
		DRAWN	TWP	15/07/2022	<h1>TSL.MX.300</h1>	
		APPV'D				
		QUANTITY	1		CLIENT	
		USERS	5			
		COLOUR	AS STATED IN BOM		MONOLITH	
		MATERIAL	AS STATED IN BOM			
		WEIGHT	37.63KG		SCALE:1:18	SHEET 1 OF 1

UNLESS OTHERWISE SPECIFIED, DIMENSIONS ARE IN MILLIMETERS
SURFACE FINISH: REPRODUCTION IN PART OR AS A WHOLE WITHOUT THE WRITTEN PERMISSION OF THE SPLASH LAB IS PROHIBITED

PROPRIETARY AND CONFIDENTIAL
THE INFORMATION CONTAINED IN THIS DRAWING IS THE SOLE PROPERTY OF THE SPLASH LAB ANY REPRODUCTION IN PART OR AS A WHOLE WITHOUT THE WRITTEN PERMISSION OF THE SPLASH LAB IS PROHIBITED

F

E

D

C

B

A

1