

8 7 6 5 4 3 2 1

F

F

E

E

D

D

C

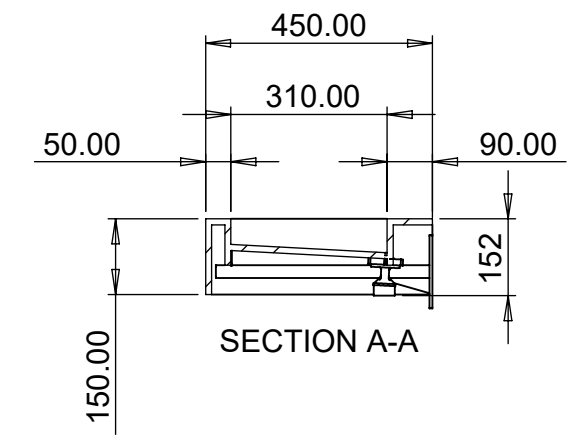
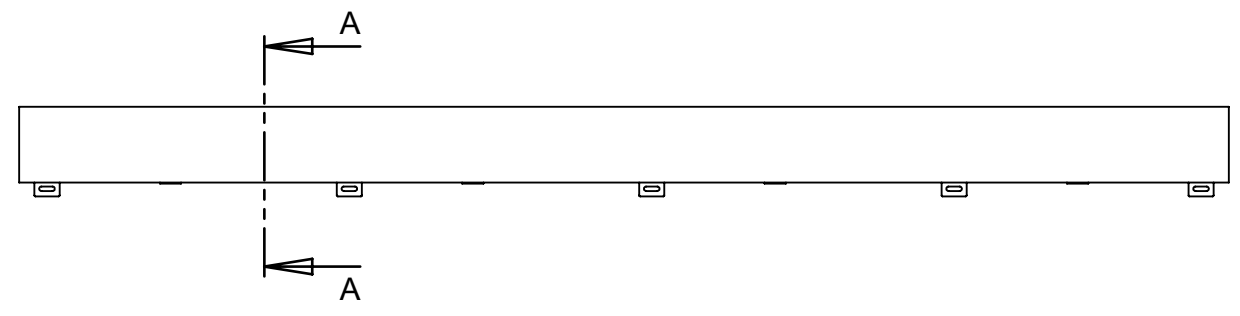
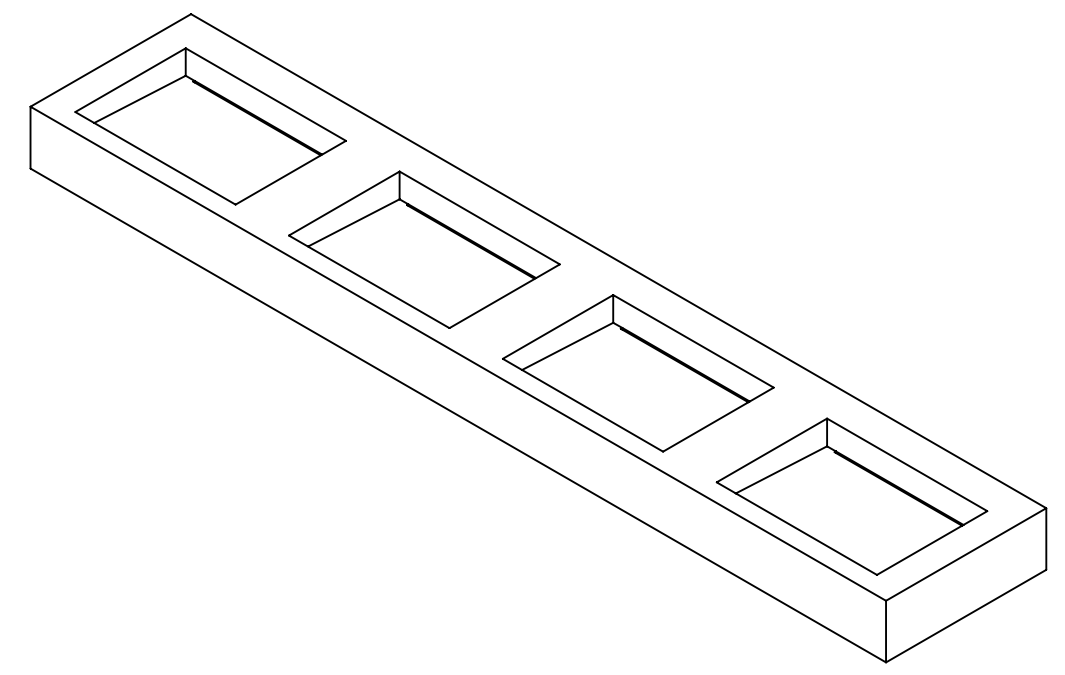
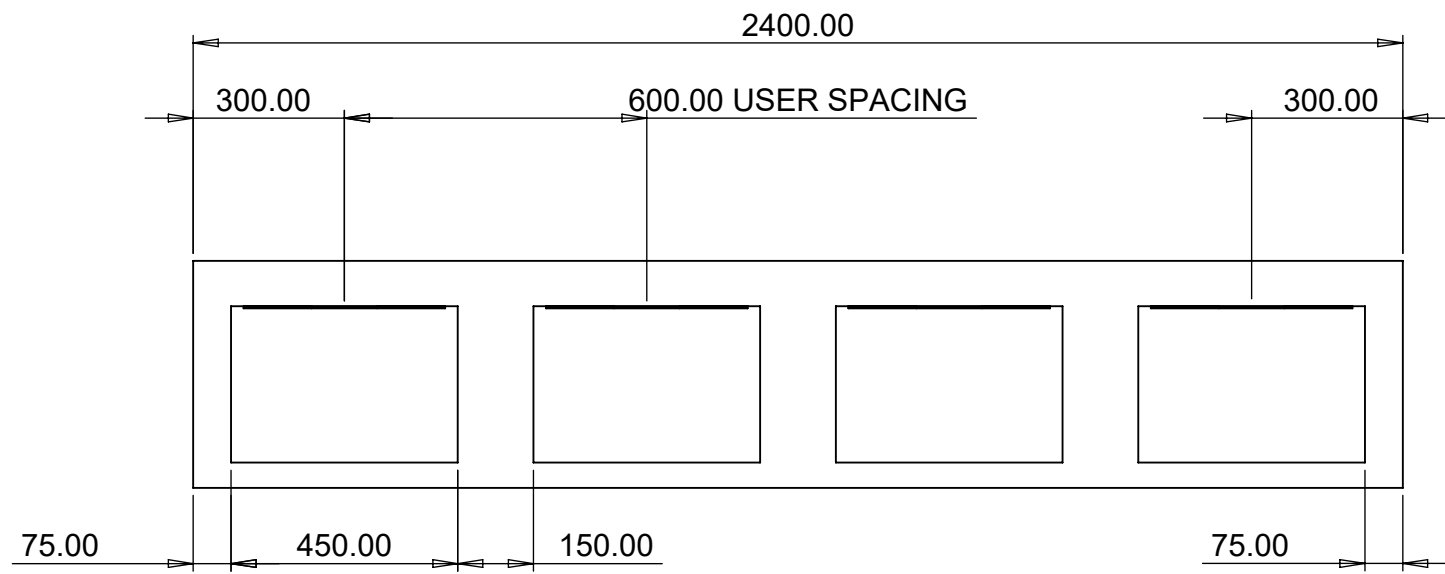
C

B

B

A

A



ITEM NO.	PART NUMBER	MATERIAL	COLOUR	QTY.
4	TSL MONOLITH - DIVIDED BASIN MONOLITH TSL.BM240	SOLID SURFACE	WHITE	1
1	TSL MONOLITH - WASTE TRAP MONOLITH 0104	RECYCLABLE POLYPROPYLENE		4
5	TSL STRAIGHT BRACKET	PLAIN CARBON STEEL		5

DRAWING NOTES & REVISION HISTORY	
REVISION 1 - AS DRAWN	

+
THE SPLASH LAB

UNLESS OTHERWISE SPECIFIED, DIMENSIONS ARE IN MILLIMETERS OF THE SPLASH LAB ANY REPRODUCTION IN PART OR AS A WHOLE WITHOUT THE WRITTEN PERMISSION OF THE SPLASH LAB IS PROHIBITED

PROPRIETARY AND CONFIDENTIAL THE INFORMATION CONTAINED IN THIS DRAWING IS THE SOLE PROPERTY OF THE SPLASH LAB ANY REPRODUCTION IN PART OR AS A WHOLE WITHOUT THE WRITTEN PERMISSION OF THE SPLASH LAB IS PROHIBITED

TSL MONOLITH - DRAWING MONOLITH TSL.BM240			
	NAME	SIGNATURE	DATE
DRAWN	TWP		15/07/2022
APPV'D			
QUANTITY	1		
USERS	4		
COLOUR	AS STATED IN BOM		
MATERIAL	AS STATED IN BOM		
WEIGHT	30.58KG		

DO NOT SCALE DRAWING		REVISION 1
TITLE: TSL.MX.240		
CLIENT	MONOLITH	A3
SCALE:1:15	SHEET 1 OF 1	

8 7 6 5 4 3 2 1