

8 7 6 5 4 3 2 1

F F

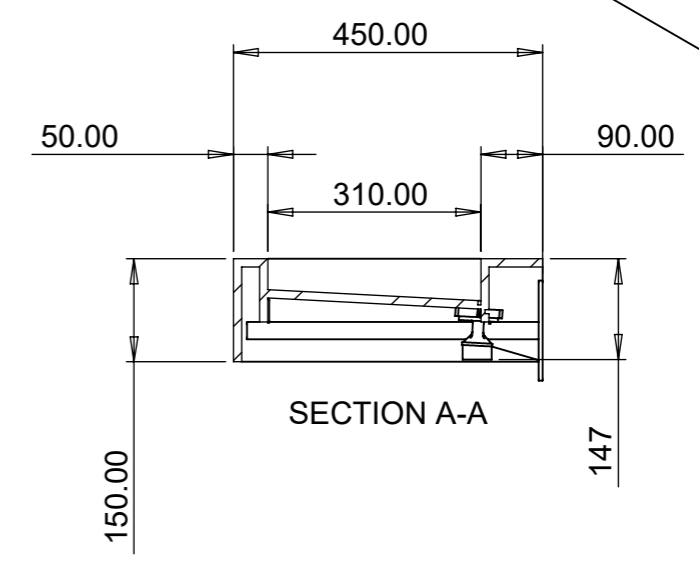
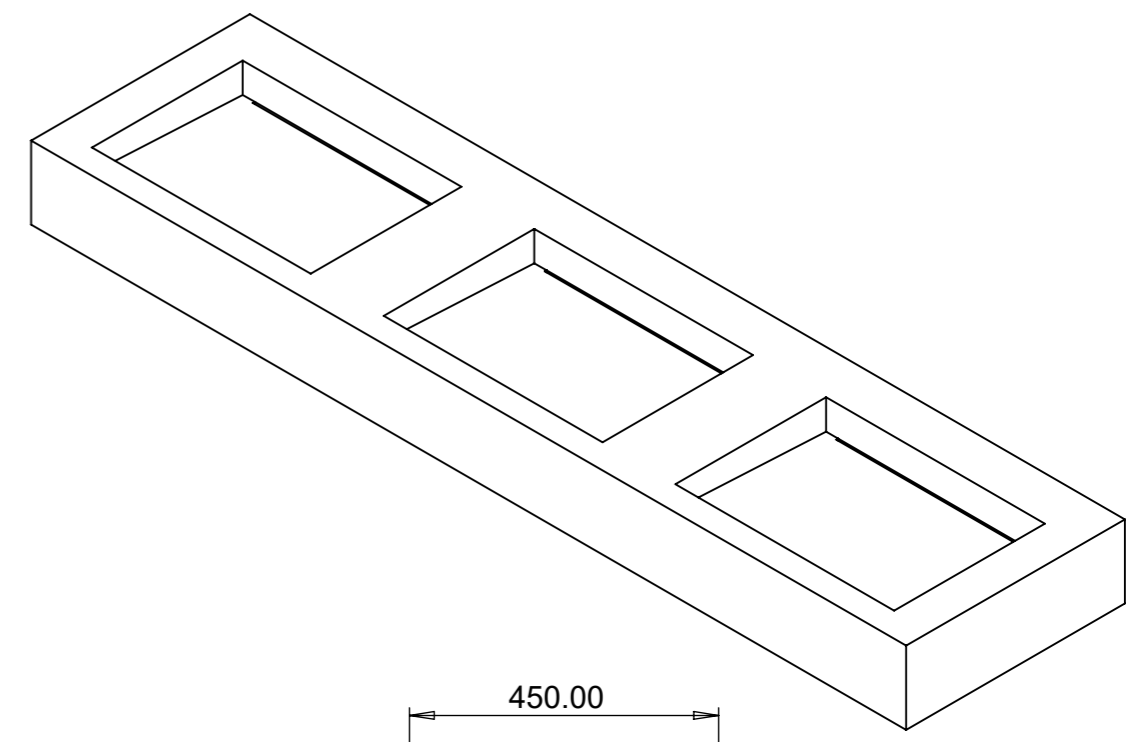
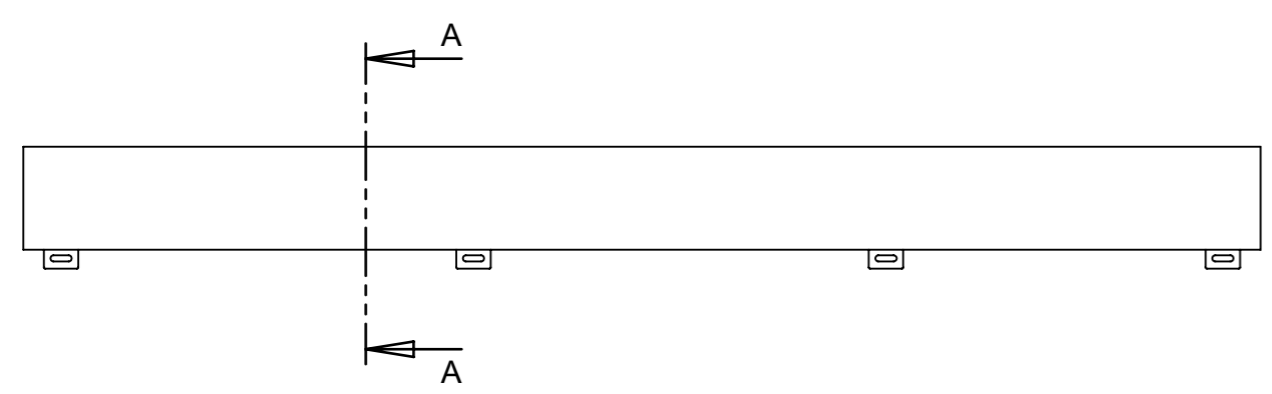
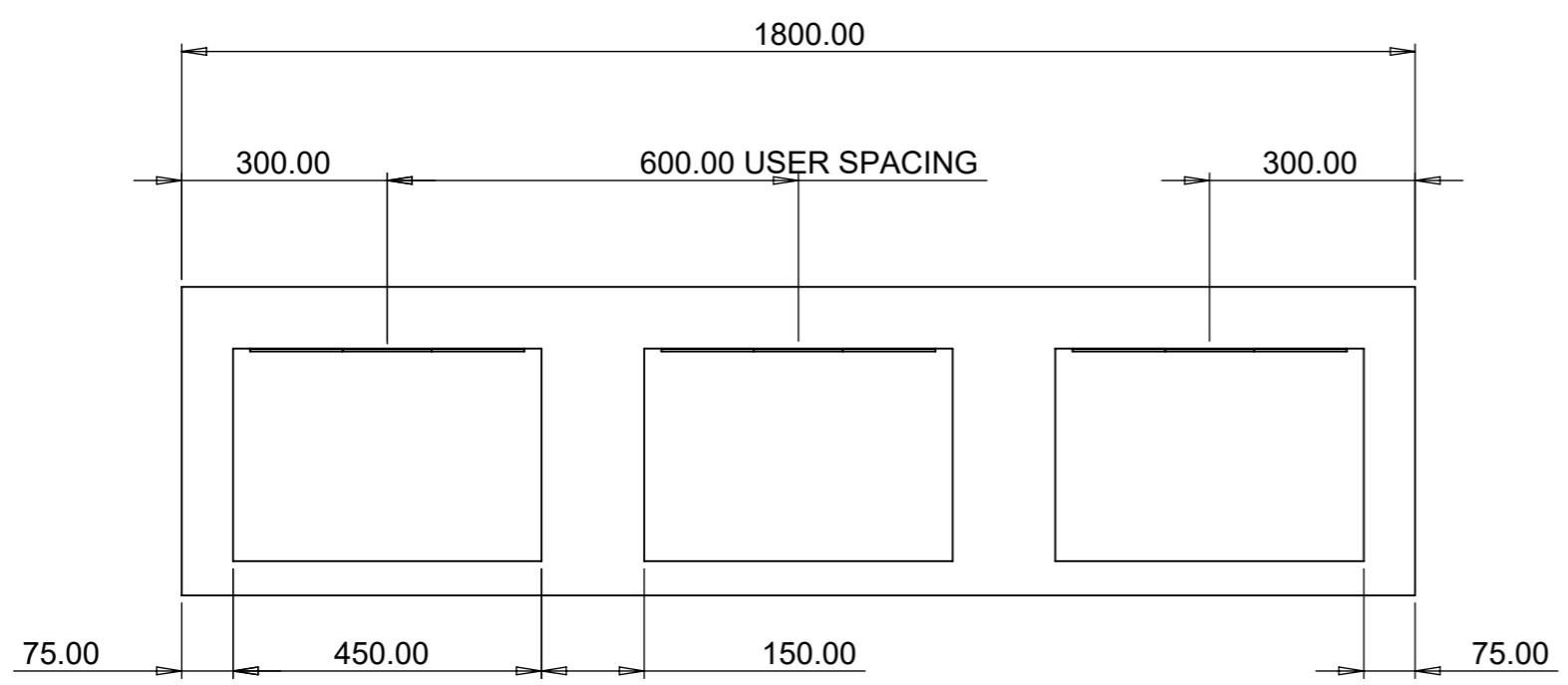
E E

D D

C C

B B

A A



ITEM NO.	PART NUMBER	MATERIAL	COLOUR	QTY.
4	TSL MONOLITH - DIVIDED BASIN MONOLITH TSL.BM180	SOLID SURFACE		1
1	TSL MONOLITH - WASTE TRAP MONOLITH 0103	RECYCLABLE POLYPROPYLENE		3
5	TSL STRAIGHT BRACKET	PLAIN CARBON STEEL		4

DRAWING NOTES & REVISION HISTORY	
REVISION 1 - AS DRAWN	

**+**  
**THE SPLASH LAB**

UNLESS OTHERWISE SPECIFIED, DIMENSIONS ARE IN MILLIMETERS OF THE SPLASH LAB ANY REPRODUCTION IN PART OR AS A WHOLE WITHOUT THE WRITTEN PERMISSION OF THE SPLASH LAB IS PROHIBITED

PROPRIETARY AND CONFIDENTIAL THE INFORMATION CONTAINED IN THIS DRAWING IS THE SOLE PROPERTY OF THE SPLASH LAB ANY REPRODUCTION IN PART OR AS A WHOLE WITHOUT THE WRITTEN PERMISSION OF THE SPLASH LAB IS PROHIBITED

TSL MONOLITH - DRAWING MONOLITH TSL.BM180			
	NAME	SIGNATURE	DATE
DRAWN	TWP		15/07/2022
APPV'D			
QUANTITY	1		
USERS	3		
COLOUR	AS STATED IN BOM		
MATERIAL	AS STATED IN BOM		
WEIGHT	23.54KG		

DO NOT SCALE DRAWING		REVISION 1
TITLE: <b>TSL.MX.180</b>		
CLIENT	<b>MONOLITH</b>	A3
SCALE:1:11	SHEET 1 OF 1	

8 7 6 5 4 3 2 1