

8 7 6 5 4 3 2 1

F F

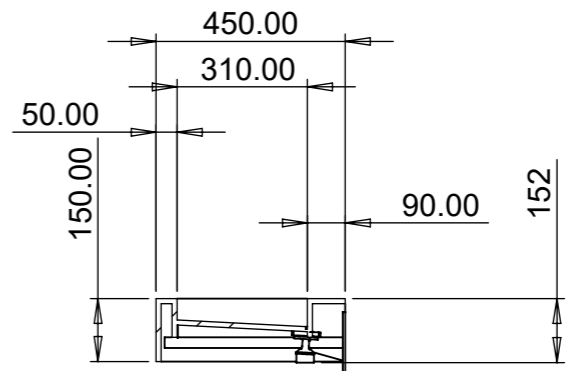
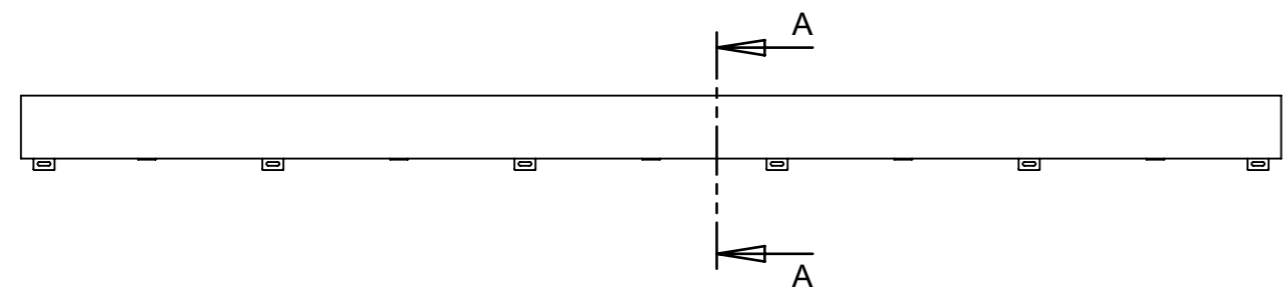
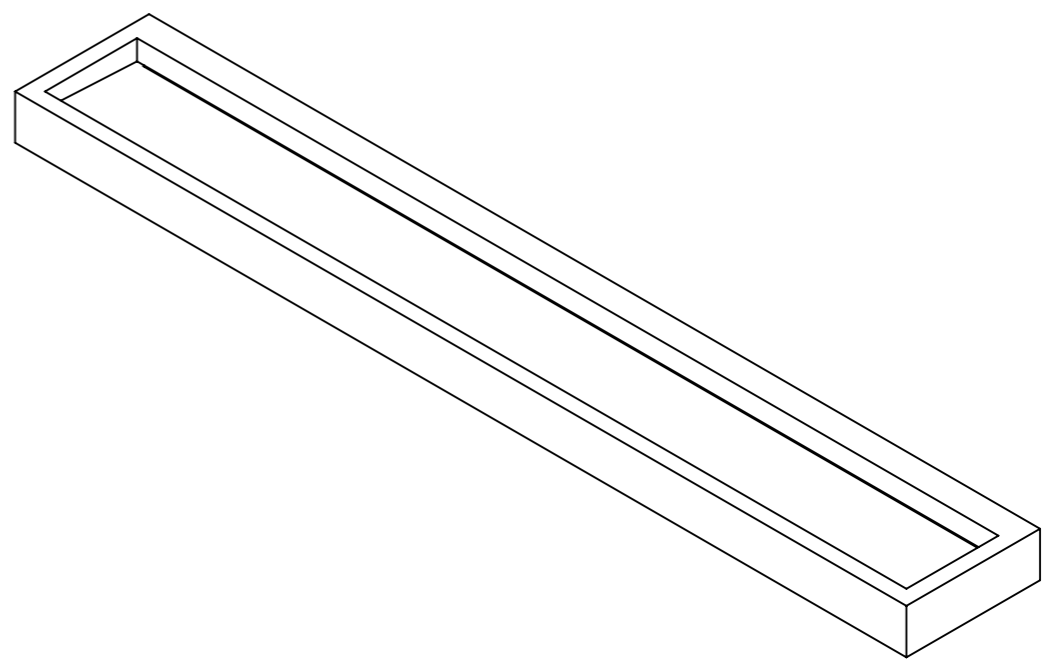
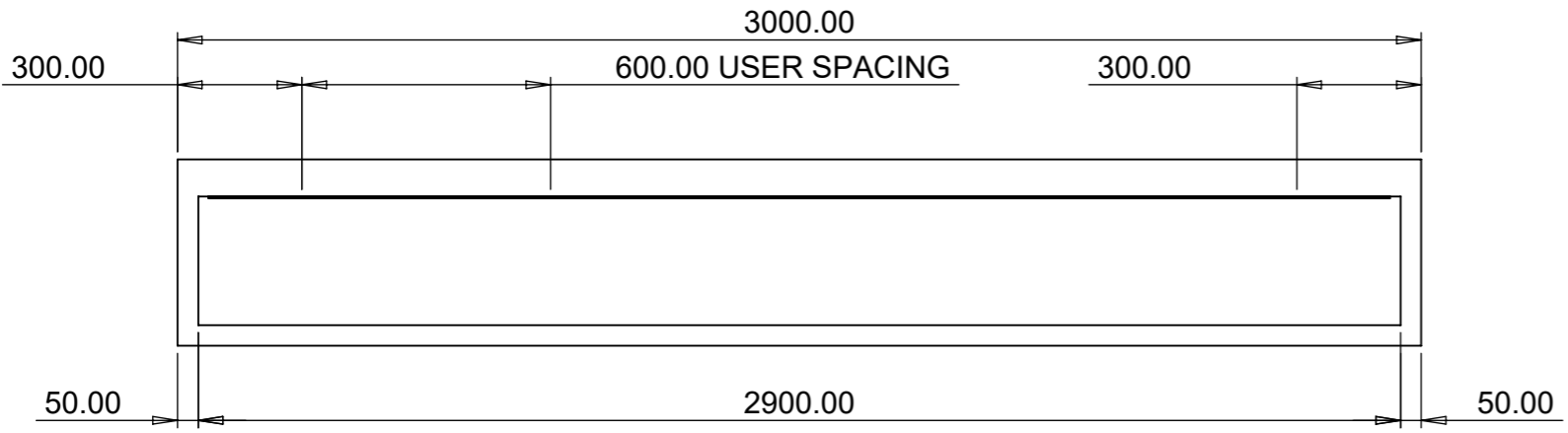
E E

D D

C C

B B

A A



SECTION A-A

ITEM NO.	PART NUMBER	MATERIAL	COLOUR	QTY.
6	TSL MONOLITH - CONTINUOUS BASIN MONOLITH TSL.AM300	SOLID SURFACE	WHITE	1
7	TSL MONOLITH - WASTE TRAP MONOLITH 0080	RECYCLABLE POLYPROPYLENE		5
8	TSL STRAIGHT BRACKET	PLAIN CARBON STEEL		6

DRAWING NOTES & REVISION HISTORY

REVISION 1 - AS DRAWN

+
THE SPLASH LAB

UNLESS OTHERWISE SPECIFIED, DIMENSIONS ARE IN MILLIMETERS
SURFACE FINISH: REPRODUCTION IN PART OR AS A WHOLE WITHOUT THE WRITTEN PERMISSION OF THE SPLASH LAB IS PROHIBITED

PROPRIETARY AND CONFIDENTIAL
THE INFORMATION CONTAINED IN THIS DRAWING IS THE SOLE PROPERTY OF THE SPLASH LAB ANY REPRODUCTION IN PART OR AS A WHOLE WITHOUT THE WRITTEN PERMISSION OF THE SPLASH LAB IS PROHIBITED

TSL MONOLITH - DRAWING MONOLITH TSL.AM300			
	NAME	SIGNATURE	DATE
DRAWN	TWP		13/07/2022
APPV'D			
QUANTITY	1		
USERS	5		
COLOUR	AS STATED IN BOM		
MATERIAL	AS STATED IN BOM		
WEIGHT	35.82KG		

DO NOT SCALE DRAWING		REVISION 1
TITLE: TSL.M.300		
CLIENT	MONOLITH	A3
SCALE:1:18		SHEET 1 OF 1

8 7 6 5 4 3 2 1