

8 7 6 5 4 3 2 1

F F

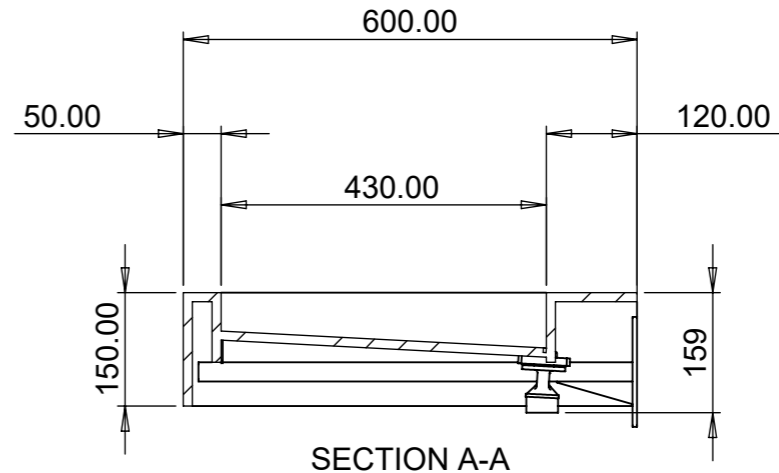
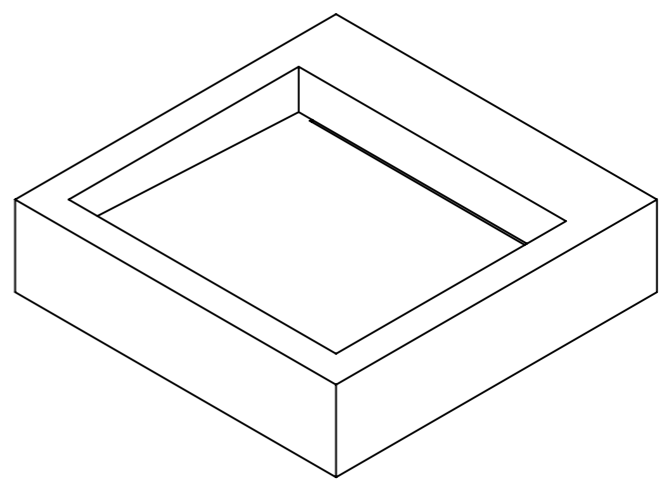
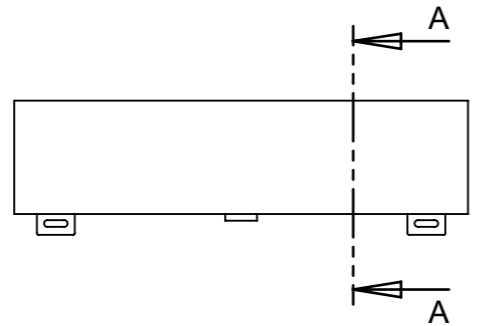
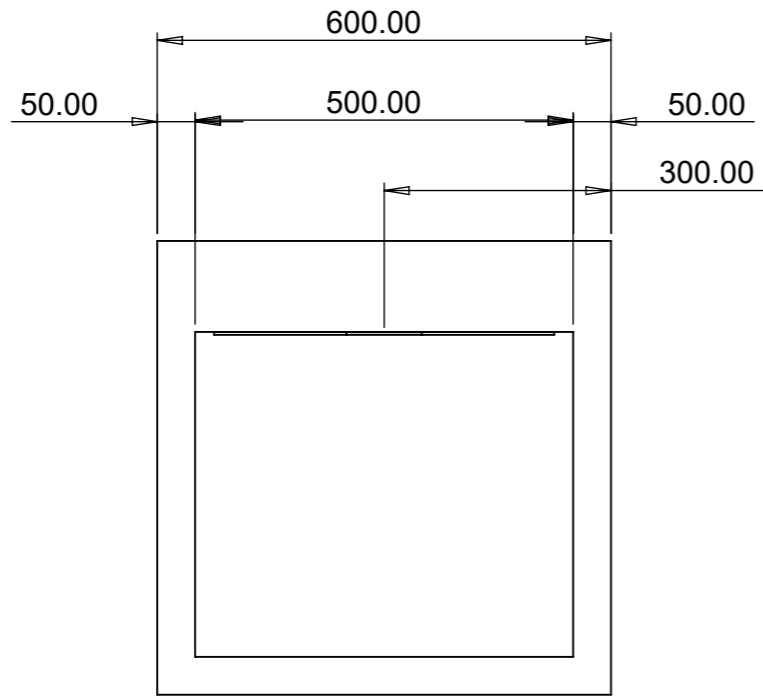
E E

D D

C C

B B

A A



ITEM NO.	PART NUMBER	MATERIAL	COLOUR	QTY.
2	TSL MONOLITH - CONTINUOUS BASIN MONOLITH TSL.CM60	SOLID SURFACE	WHITE	1
5	TSL MONOLITH - WASTE TRAP MONOLITH 0096	RECYCLABLE POLYPROPYLENE		1
6	TSL STRAIGHT BRACKET	PLAIN CARBON STEEL		2

**DRAWING NOTES & REVISION HISTORY**

REVISION 1 - AS DRAWN



UNLESS OTHERWISE SPECIFIED, DIMENSIONS ARE IN MILLIMETERS  
SURFACE FINISH: REPRODUCTION IN PART OR AS A WHOLE WITHOUT THE WRITTEN PERMISSION OF THE SPLASH LAB IS PROHIBITED

TSL MONOLITH - DRAWING MONOLITH TSL.CM60			
	NAME	SIGNATURE	DATE
DRAWN	TWP		15/07/2022
APPV'D			
QUANTITY	1		
USERS	1		
COLOUR	AS STATED IN BOM		
MATERIAL	AS STATED IN BOM		
WEIGHT	11.69KG		

DO NOT SCALE DRAWING		REVISION 1
TITLE:		
<b>TSL.L.60</b>		
CLIENT	MONOLITH	A3
SCALE:1:10		SHEET 1 OF 1

8 7 6 5 4 3 2 1