

8 7 6 5 4 3 2 1

F F

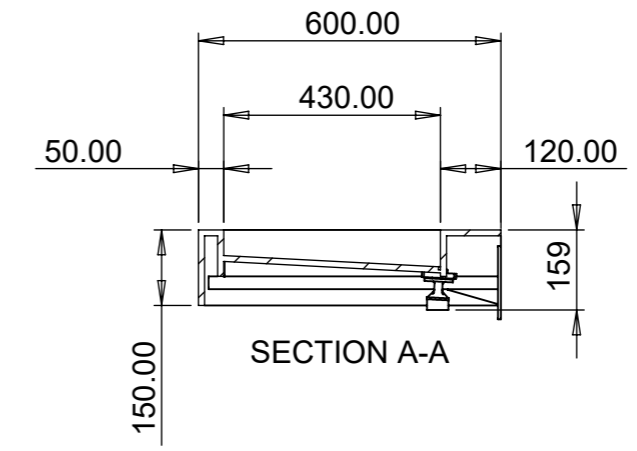
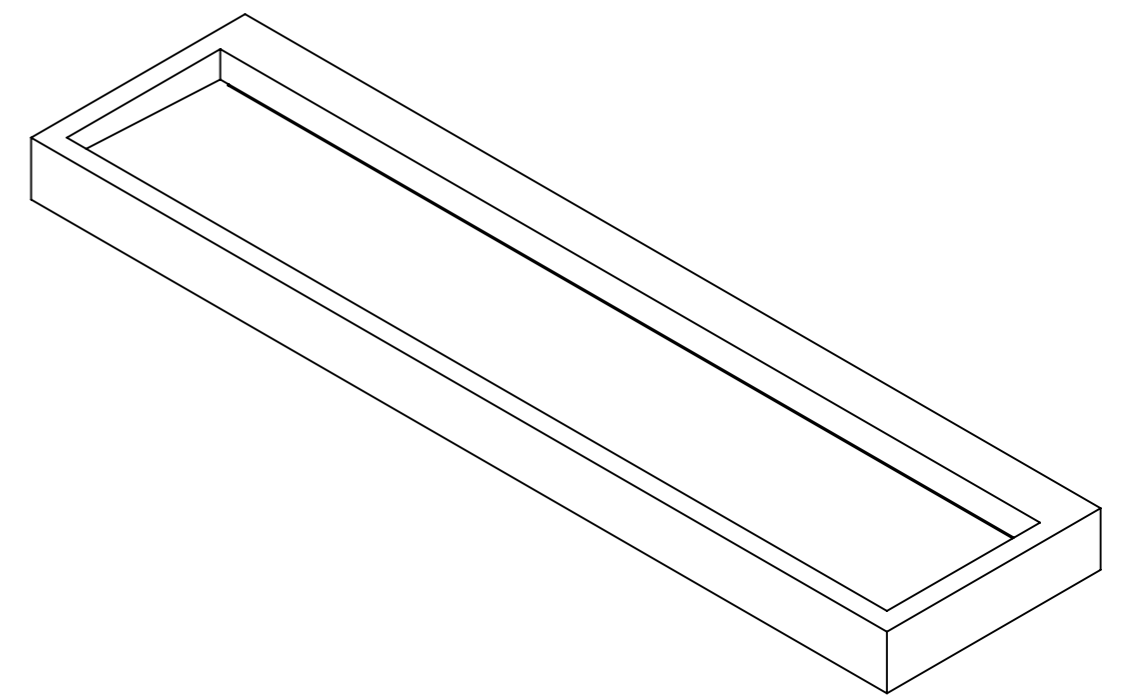
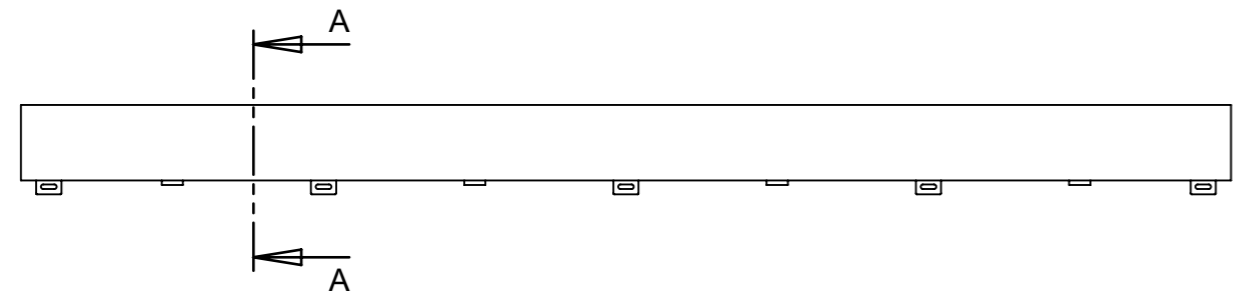
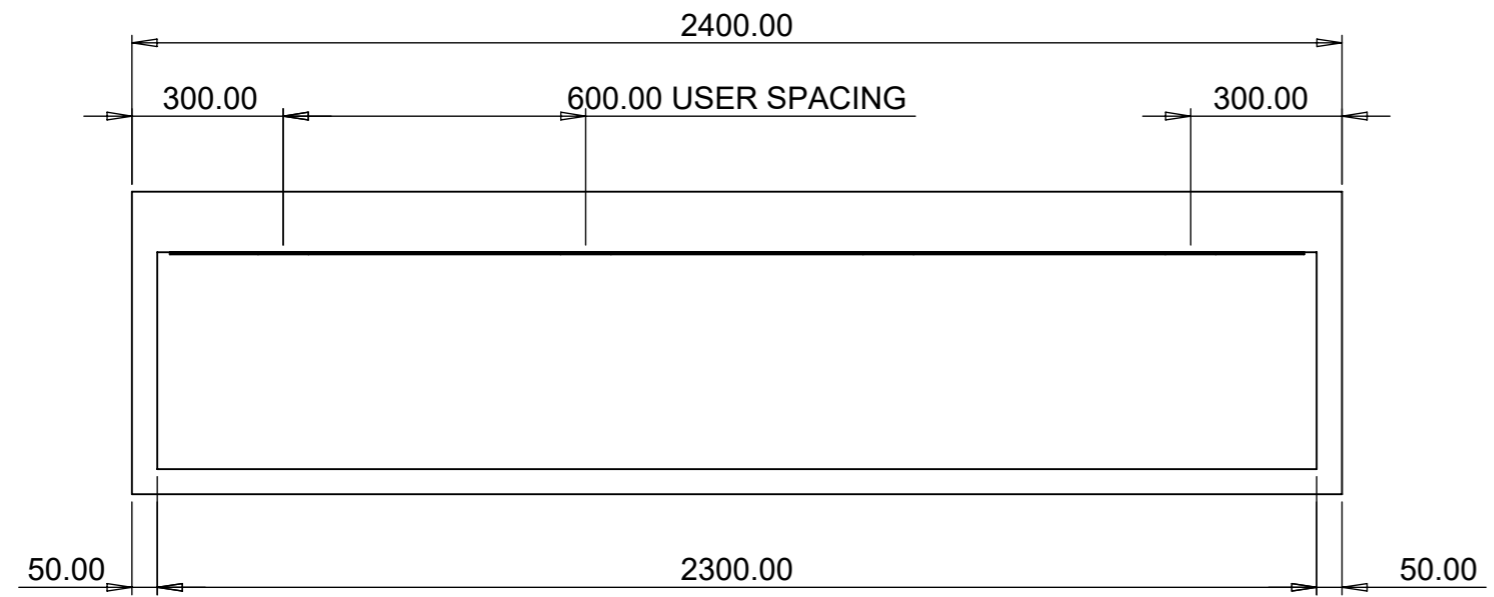
E E

D D

C C

B B

A A



ITEM NO.	PART NUMBER	MATERIAL	COLOUR	QTY.
1	TSL MONOLITH - CONTINUOUS BASIN MONOLITH TSL.CM240	SOLID SURFACE	WHITE	1
2	TSL MONOLITH - WASTE TRAP MONOLITH 0099	RECYCLABLE POLYPROPYLENE		4
3	TSL STRAIGHT BRACKET	PLAIN CARBON STEEL		5

DRAWING NOTES & REVISION HISTORY

REVISION 1 - AS DRAWN



UNLESS OTHERWISE SPECIFIED, DIMENSIONS ARE IN MILLIMETERS
SURFACE FINISH: REPRODUCTION IN PART OR AS A WHOLE WITHOUT THE WRITTEN PERMISSION OF THE SPLASH LAB IS PROHIBITED

TSL MONOLITH - DRAWING MONOLITH TSL.CM240			
	NAME	SIGNATURE	DATE
DRAWN	TWP		15/07/2022
APPV'D			
QUANTITY	1		
USERS	4		
COLOUR	AS STATED IN BOM		
MATERIAL	AS STATED IN BOM		
WEIGHT	35.46KG		

DO NOT SCALE DRAWING REVISION 1

TITLE:		TSL.L.240	
CLIENT			
SCALE:1:15		SHEET 1 OF 1	

8 7 6 5 4 3 2 1