

8 7 6 5 4 3 2 1

F

F

E

E

D

D

C

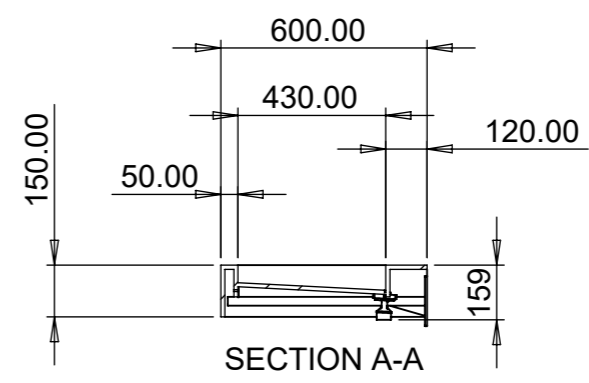
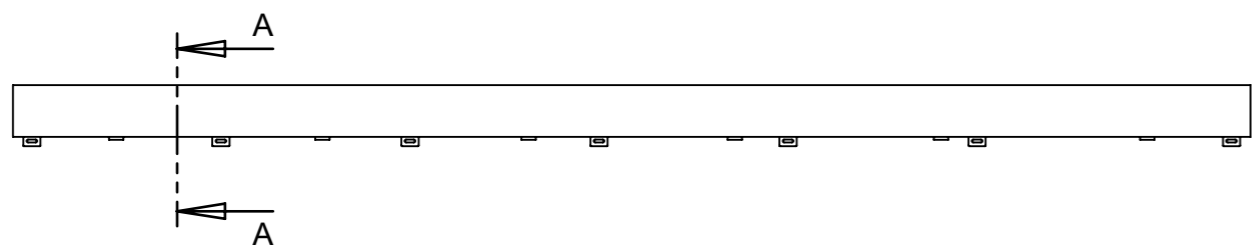
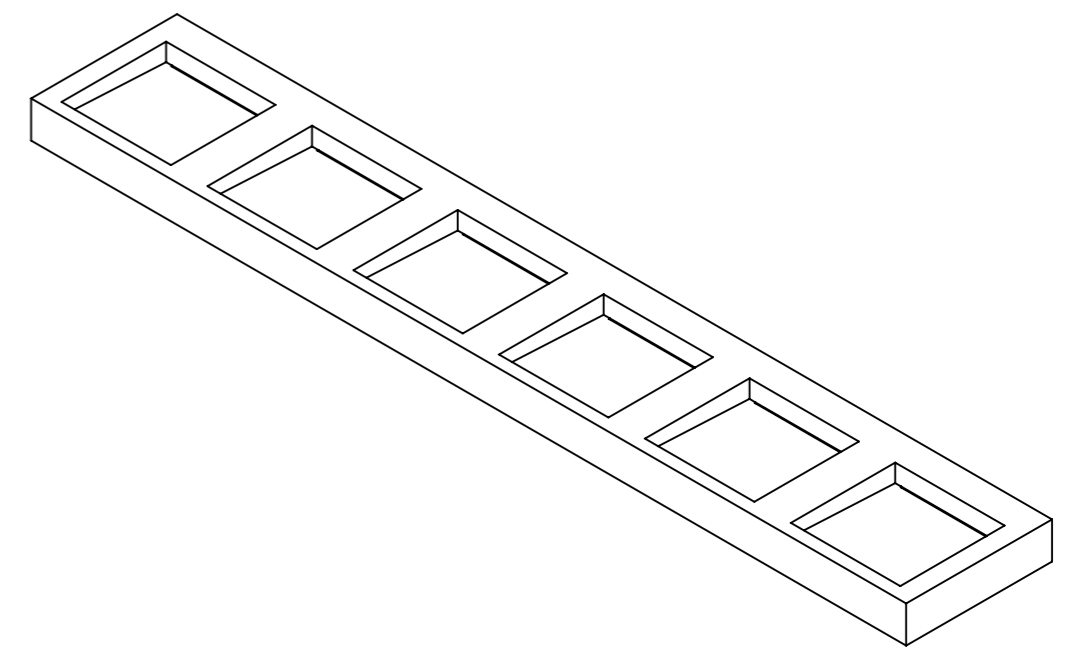
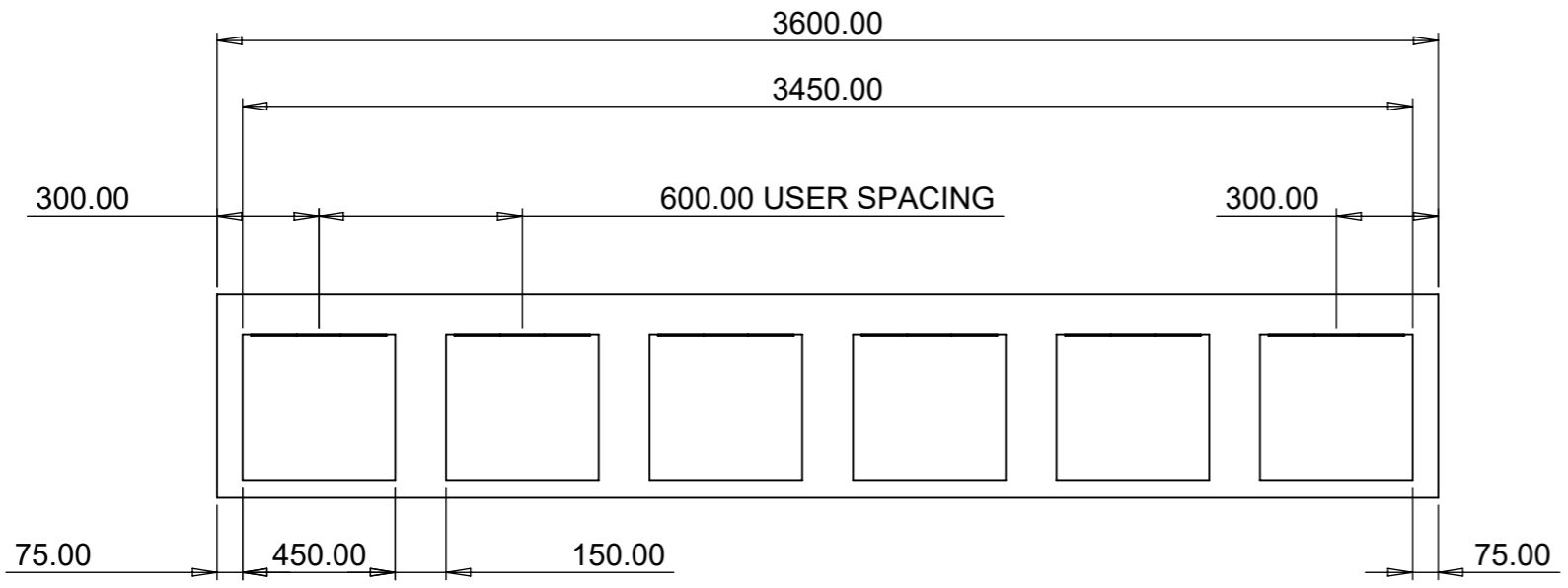
C

B

B

A

A



ITEM NO.	PART NUMBER	MATERIAL	COLOUR	QTY.
4	TSL MONOLITH - DIVIDED BASIN MONOLITH TSL.DM360	SOLID SURFACE	WHITE	1
1	TSL MONOLITH - WASTE TRAP MONOLITH 0115	RECYCLABLE POLYPROPYLENE		6
5	TSL STRAIGHT BRACKET	PLAIN CARBON STEEL		7

DRAWING NOTES & REVISION HISTORY

REVISION 1 - AS DRAWN



UNLESS OTHERWISE SPECIFIED, DIMENSIONS ARE IN MILLIMETERS. SURFACE FINISH: REPRODUCTION IN PART OR AS A WHOLE WITHOUT THE WRITTEN PERMISSION OF THE SPLASH LAB IS PROHIBITED.

PROPRIETARY AND CONFIDENTIAL THE INFORMATION CONTAINED IN THIS DRAWING IS THE SOLE PROPERTY OF THE SPLASH LAB ANY REPRODUCTION IN PART OR AS A WHOLE WITHOUT THE WRITTEN PERMISSION OF THE SPLASH LAB IS PROHIBITED.

TSL MONOLITH - DRAWING MONOLITH TSL.DM360

	NAME	SIGNATURE	DATE
DRAWN	TWP		15/07/2022
APPV'D			
QUANTITY	1		
USERS	6		
COLOUR	AS STATED IN BOM		
MATERIAL	AS STATED IN BOM		
WEIGHT	54.60KG		

DO NOT SCALE DRAWING

REVISION 1

TITLE:

TSL.LX.360

CLIENT **MONOLITH** A3

SCALE:1:22

SHEET 1 OF 1

8 7 6 5 4 3 2 1