

8 7 6 5 4 3 2 1

F

F

E

E

D

D

C

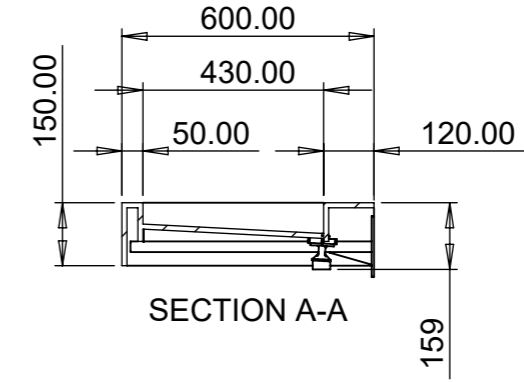
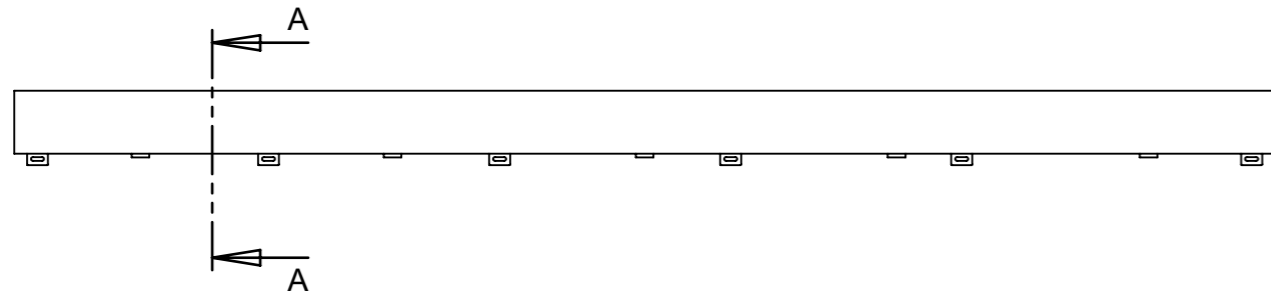
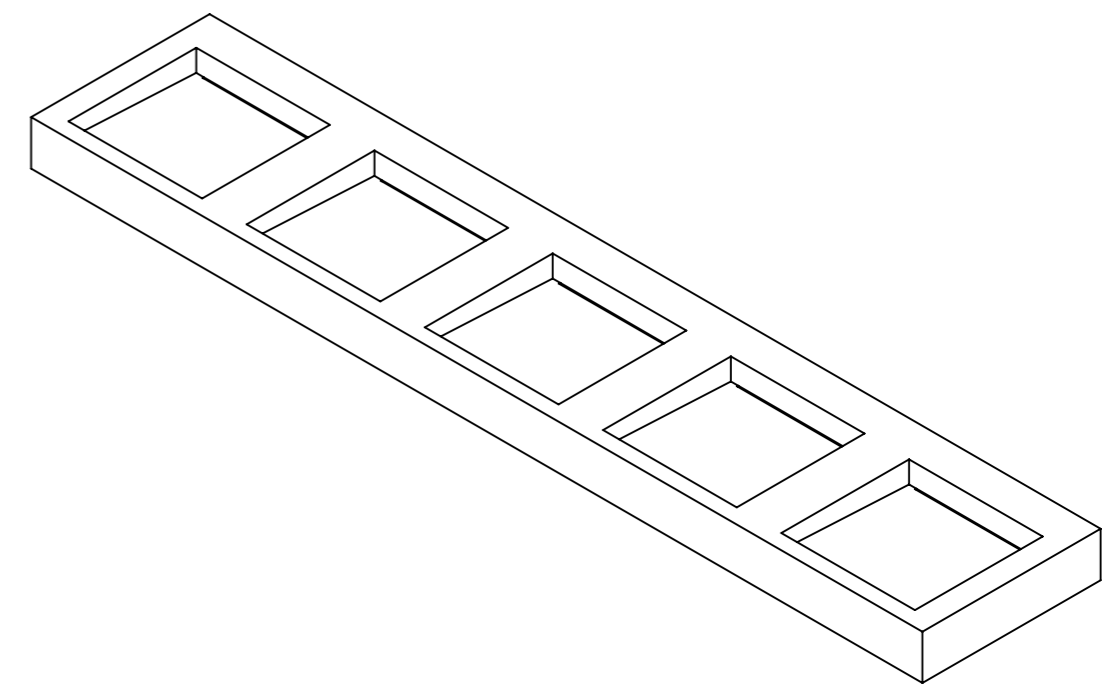
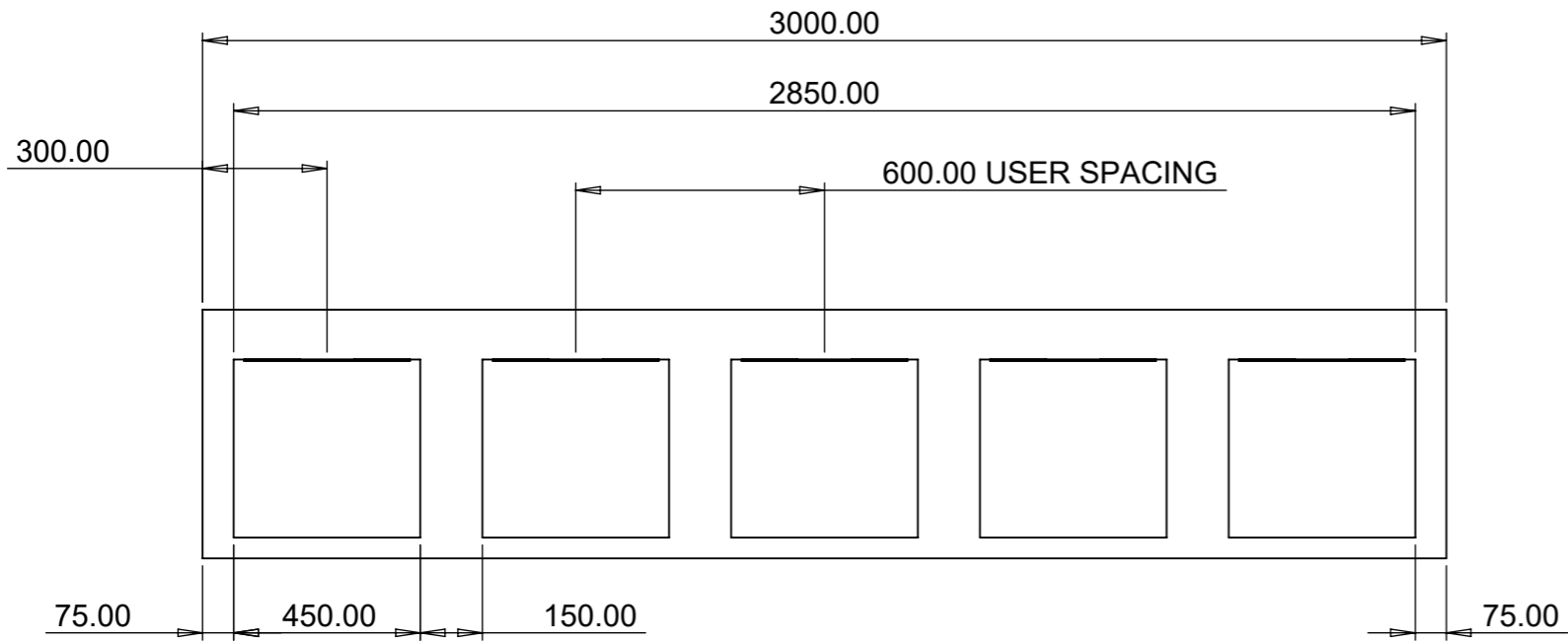
C

B

B

A

A



ITEM NO.	PART NUMBER	MATERIAL	COLOUR	QTY.
4	TSL MONOLITH - DIVIDED BASIN MONOLITH TSL.DM300	SOLID SURFACE	WHITE	1
1	TSL MONOLITH - WASTE TRAP MONOLITH 0114	RECYCLABLE POLYPROPYLENE		5
5	TSL STRAIGHT BRACKET	PLAIN CARBON STEEL		6

DRAWING NOTES & REVISION HISTORY

REVISION 1 - AS DRAWN



UNLESS OTHERWISE SPECIFIED, DIMENSIONS ARE IN MILLIMETERS SURFACE FINISH: TOLERANCES: +/- 3MM

PROPRIETARY AND CONFIDENTIAL THE INFORMATION CONTAINED IN THIS DRAWING IS THE SOLE PROPERTY OF THE SPLASH LAB ANY REPRODUCTION IN PART OR AS A WHOLE WITHOUT THE WRITTEN PERMISSION OF THE SPLASH LAB IS PROHIBITED

TSL MONOLITH - DRAWING MONOLITH TSL.DM300			
	NAME	SIGNATURE	DATE
DRAWN	TWP		15/07/2022
APPV'D			
QUANTITY	1		
USERS	5		
COLOUR	AS STATED IN BOM		
MATERIAL	AS STATED IN BOM		
WEIGHT	46.02KG		

DO NOT SCALE DRAWING REVISION 1

TITLE:		TSL.LX.300	
CLIENT			
SCALE:1:18		SHEET 1 OF 1	

8 7 6 5 4 3 2 1