

Circular Waste Chute

TSL.R15

The TSL.R15 is a hygienic waste chute with a minimalist stainless steel design.

Finish	Codes	LRV*
● Black	TSL.R15.BK	3
● Brass	TSL.R15.BR	40
● Satin	TSL.R15.CS	58
● Copper	TSL.R15.CP	19

Light Reflectance Value*

+ Satin



+ Black



+ Brass

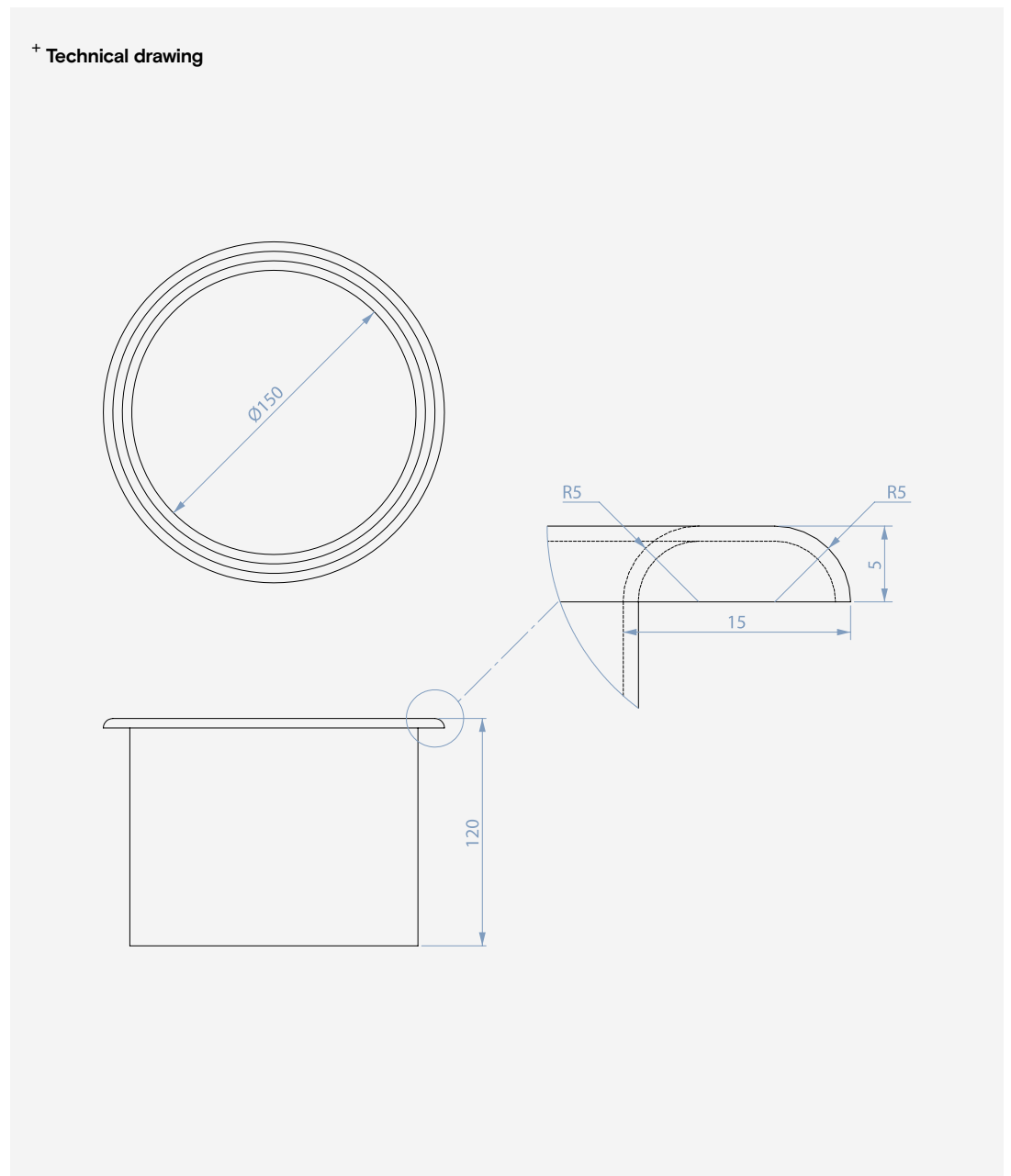


+ Copper



Included

TSL.R15 Circular Waste Chute

+ Technical drawing**Technical Data**

Weight	0.39kg
Diameter	150mm
Depth	120mm

Related documents

Installation and maintenance manual

Warranty document

To obtain these documents please email
info.uk@thesplashlab.com

Spare parts

There are no user serviceable parts.

Warranty

2 Years from date of purchase