

**TSL.GR45.450**

**TSL.GR45.600**

straight grab rail

installation + maintenance

**+**  
**THE  
SPLASH  
LAB**

# contents

<b>2</b>	Technical Data
<b>3</b>	Before You Install
<b>4</b>	How to Install
<b>5</b>	Cleaning
<b>5</b>	Maintenance
<b>5</b>	Operation
<b>6</b>	Warranty
<b>7</b>	Contact Details

## technical data

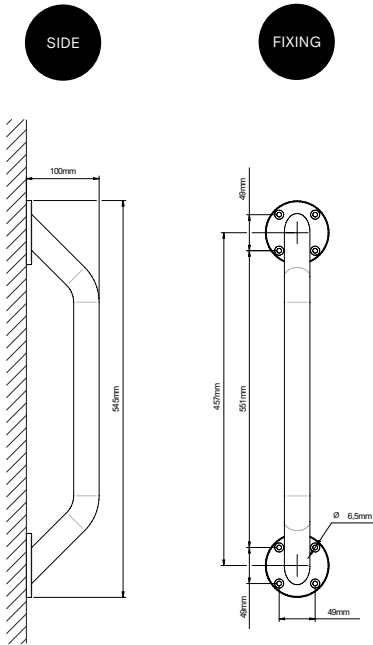
<b>Finishes</b>	CS (Brushed satin stainless steel) CP (Brushed copper finish) BK (Brushed black finish) BZ (Brushed bronze finish) BR (Brushed brass finish)
<b>Weight</b>	TSL .GR45.600 - 1.78kg TSL .GR45.450 - 1.31kg
<b>Stainless steel grade</b>	AISI 304 stainless steel
<b>Warranty</b>	2 years from date of purchase

# before you install

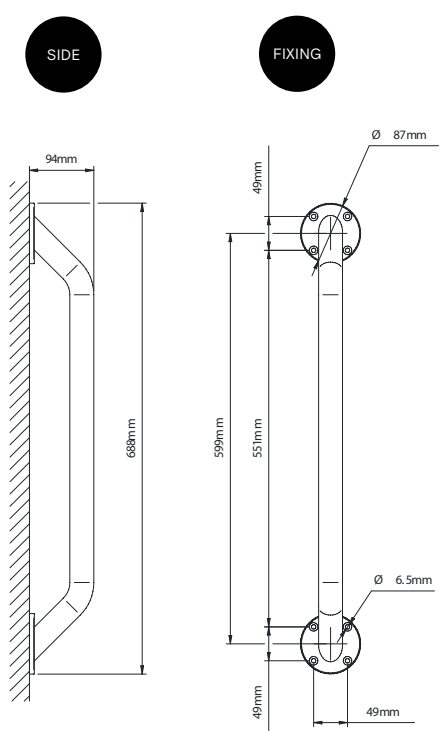
## Location

The rail is to be installed in accordance with the current DDA regulations in force. The rail must be mounted with fixings appropriate to the wall construction.

### TSL.GR45.450



### TSL.GR45.600

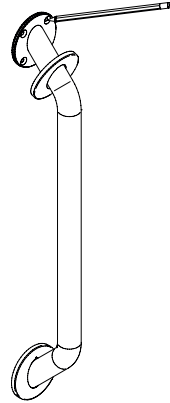


# how to install



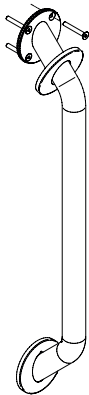
**1**

Prise the cover plates off that conceals the fixing holes.



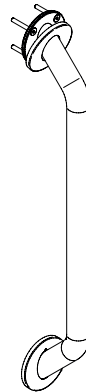
**2**

Position the rail on the wall at the desired location and mark the fixing holes.



**3**

Using appropriate fixings (not supplied), fasten the rail to the wall and tighten securely



**4**

Refix the cover plates

# cleaning

All grades of stainless steel will stain or discolour if due care and attention is not taken. The surface must be regularly cleaned to ensure a long service life of the bin.

Use a soft cloth or sponge with a mild solution of soapy water as part of the regular washroom janitorial routine. Do not use abrasive or cream cleaners as these will damage the surface finish.

If the rail is subjected to a highly-chlorinated environment eg swimming pools or marine coastal locations, a further treatment, in addition to the regular cleaning as described above, is recommended by the application of a household cleaning product containing silicone.

Contact The Splash Lab technical team for more detailed stainless steel care guidelines.

# maintenance

The fixings securing the rail should be periodically inspected to ensure the rail is firmly attached to the wall.

# operation

The user is to grasp the rail firmly to provide sufficient support to enable them to change their position.

# warranty

We believe the future is personal. With a global mindset, we challenge conventional restroom norms via product innovation to create considered washroom solutions for corporate and educational spaces. We use rich raw materials, cutting-edge automation and considered washroom design to powerfully and positively influence the lives of people. We are The Splash Lab.

Demonstrating our commitment to quality and our belief in the strength of our designs, we can offer the following warranties.

The Splash Lab will warrant that its products will be free of manufacturing and material defects during normal use and environmental conditions as detailed below:

**Straight Grab Rail                      2 years**

If a defect is found in normal use, The Splash Lab will, at their discretion, repair, provide a replacement part or product, or make appropriate adjustments. Damage caused by accident, misuse, or abuse is not covered by this warranty. Improper care and cleaning will void the warranty.

Non-operation of the product due to environmental conditions beyond our control, installation error, incorrect maintenance, water quality, fair wear and tear, incorrect or inappropriate installation, misuse and abuse is not covered by the warranty.

Proof of purchase (original sales receipt) must be provided to The Splash Lab with all warranty claims.

The above warranty is valid for goods supplied within the United Kingdom.

For goods supplied outside of the United Kingdom, The Splash Lab will honour the above stated warranty periods for the parts only.

**THE SPLASH LAB DISCLAIM ANY LIABILITY FOR SPECIAL, INCIDENTAL OR CONSEQUENTIAL DAMAGES.**

# contact



## **General information**

[info.uk@thesplashlab.com](mailto:info.uk@thesplashlab.com)

+44 (0) 161 482 7000

## **Technical support**

[technical@thesplashlab.com](mailto:technical@thesplashlab.com)

## **For further contact information visit:**

[www.thesplashlab.com](http://www.thesplashlab.com)

