

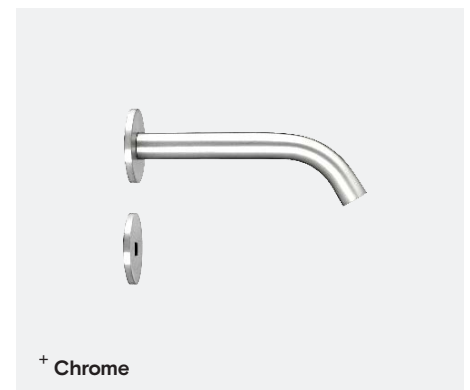
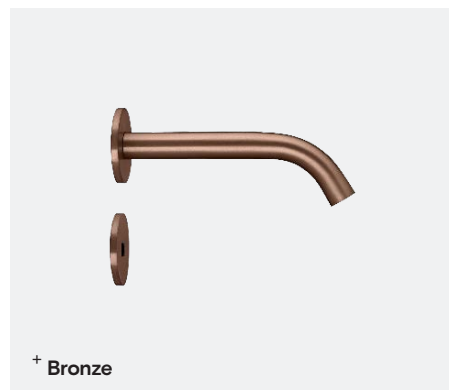
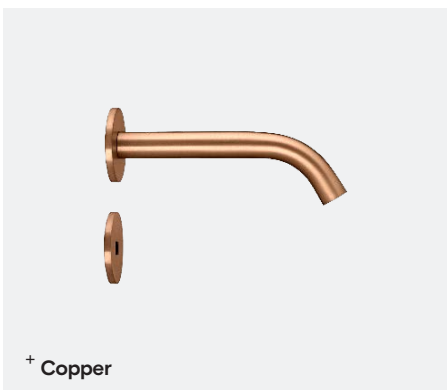
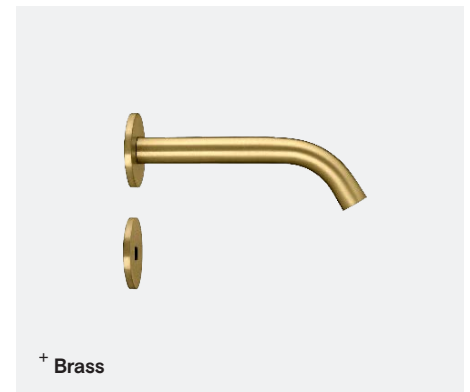
150mm IR Sensor Tap

TSL.884

The TSL.884 IR Sensor Tap features a sleek wall mounted spout with accompanying sensor housing and is available in a range of finishes.

Finish	Codes	LRV*
● Black	TSL.884.BK	3
● Brass	TSL.884.BR	40
● Satin	TSL.884.CS	58
● Bronze	TSL.884.BZ	17
● Copper	TSL.884.CP	19
● Chrome	TSL.884.C	75

Light Reflectance Value*



Technical Data: Mechanical

Body Material	AISI 304 Stainless Steel
Coating Type	PVD
Aerator	Cascade
Water Pressure (Dynamic)	0.5 to 7.5 Bar [0.05 to 0.75MPa]
Water Temperature (max)	60°C
Flow Rates	3.8 litres/minute - Cascade flow 1.9 litres/minute - Spray flow
Also available	1.3 litres/minute - Spray flow
Power supply	TSL .884 110-230 Vac, 50-60Hz, 1.5A TSL .886 6 V CR-P2 Lithium battery
Output (max)	6 Vdc, 1A
Power consumption	< 87% Active mode, 0.3W No load
Solenoid valve type	6V Latching
Water Ingress	IP55
Cable lengths	800mm - Power supply connection 800mm - Solenoid valve connection
Sensor Type	Infrared
Pre-set sensor range	220mm
Sensor range (max)	250mm
Comfort delay	2 sec
Security time-out	30 sec
Operating Temperature	0 to 50°C
Response Time (max)	0.3 - < 1 sec
Installation requirements	
Wall Cut-out Hole Size	Ø16mm (Spigot) Ø40mm (Sensor Housing)
Depth of Wall Cavity (min)	90mm
Wall Thickness (max)	50mm (incl. finishes)
Plumbing Connection	½" BSP (female) brass fitting is required to connect to the solenoid valve housing
Power supply cable	To be hard wired in to fused connection unit (FSU) or spur
Water supply	1.0 Bar is the recommended minimum pressure for the taps to operate effectively. 7.5 Bar is the maximum pressure for commissioning and is NOT recommended for general use. Gravity-fed systems may require a booster pump to achieve the optimal operating pressure All pipework must be thoroughly cleaned and clear of any debris before connecting the tap.
Washroom layout	Solenoid valve must be accessible for installation, commissioning and ongoing maintenance. Avoid installing the sensor tap directly opposite other sensor taps, soap dispensers, infrared devices or reflective surfaces. Careful consideration should be made when choosing the positioning of lighting and other reflective surfaces which may affect sensor performance.
Compliance & certificates	
BREEAM, LEED	
WRAS	Certificate No 1809302
EMC compliance	Electromagnetic compatibility directive 2004/108/CE, and Low Voltage 2006/95/CR

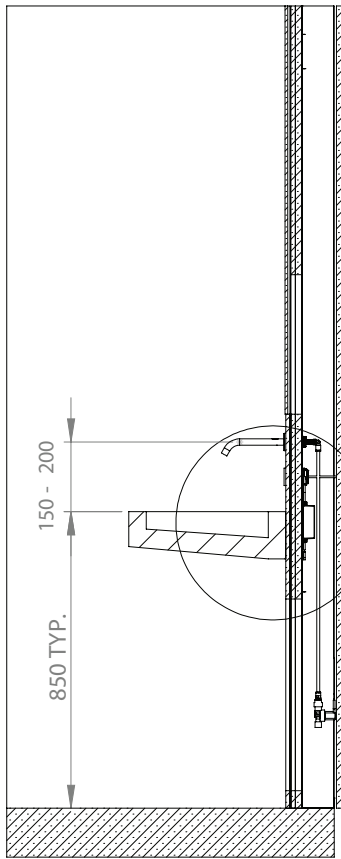
SIDE

DETAIL

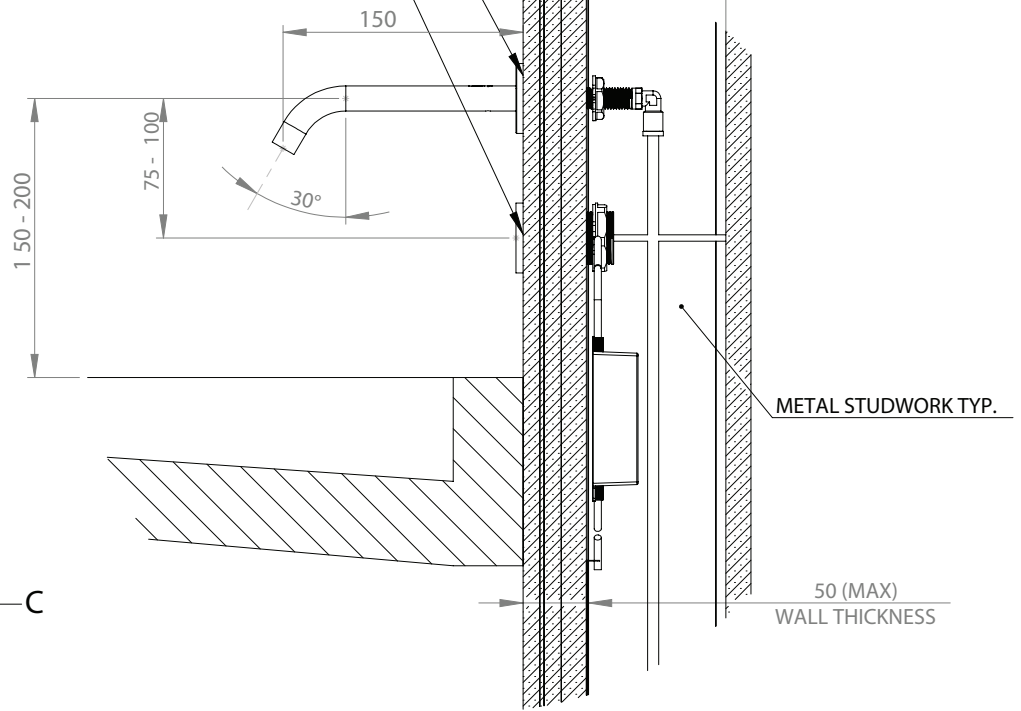
Ø 16MM THROUGH HOLE REQUIRED FOR SPIGOT

Ø 40MM THROUGH HOLE REQUIRED FOR SENSOR HOUSING

90mm (MIN) SERVICES VOID



SECTION B-B

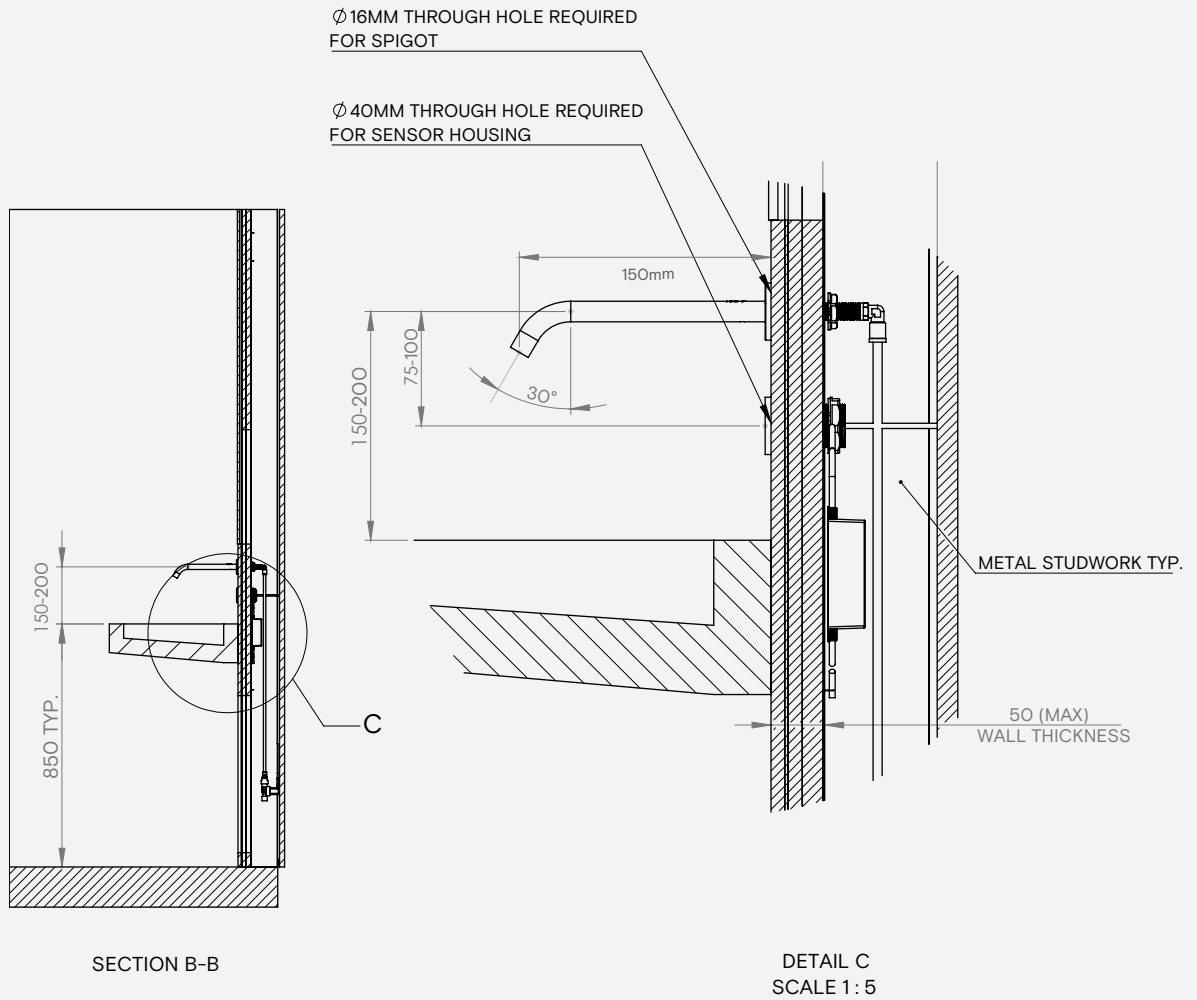


DETAIL C
SCALE 1 : 5

+ Installed view

IDE
FRONTS

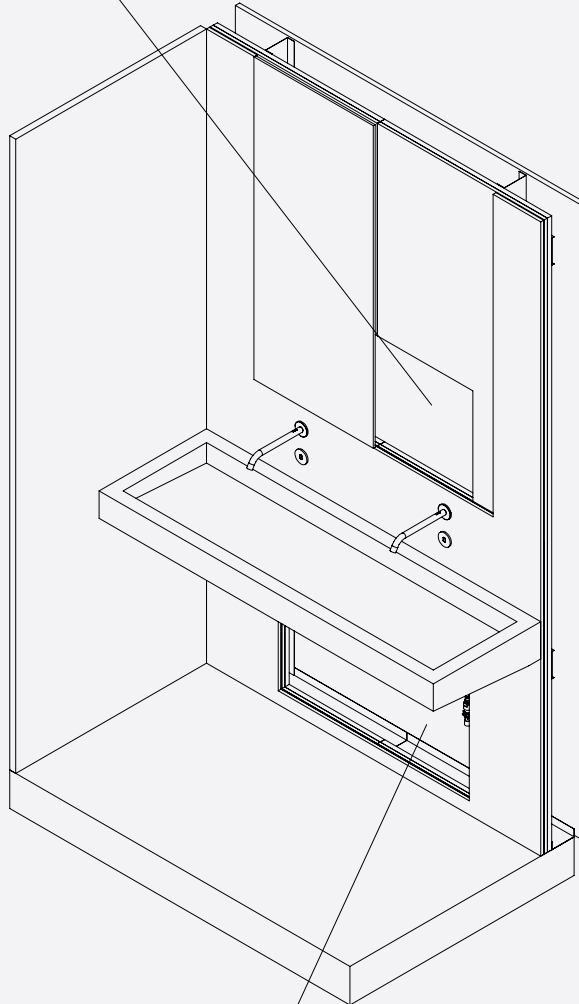
IDE



Technical drawings continued on following page

+ Acces requirements

OPTION A:
TAP TO BE SERVICEABLE FROM
BEHIND THE MIRROR (NOT SHOWN)



OPTION B:
TAP TO BE SERVICEABLE VIA ACCESS HATCH OR PANEL

Technical drawings continued on following page

Key Components / Spare Parts

Solenoid Connector Cable
TSLP.120032

Long Range IR Sensor
TSLP.260045

Mains Power Supply 6V
TSLP.270066

Solenoid Valve
TSLP.120030

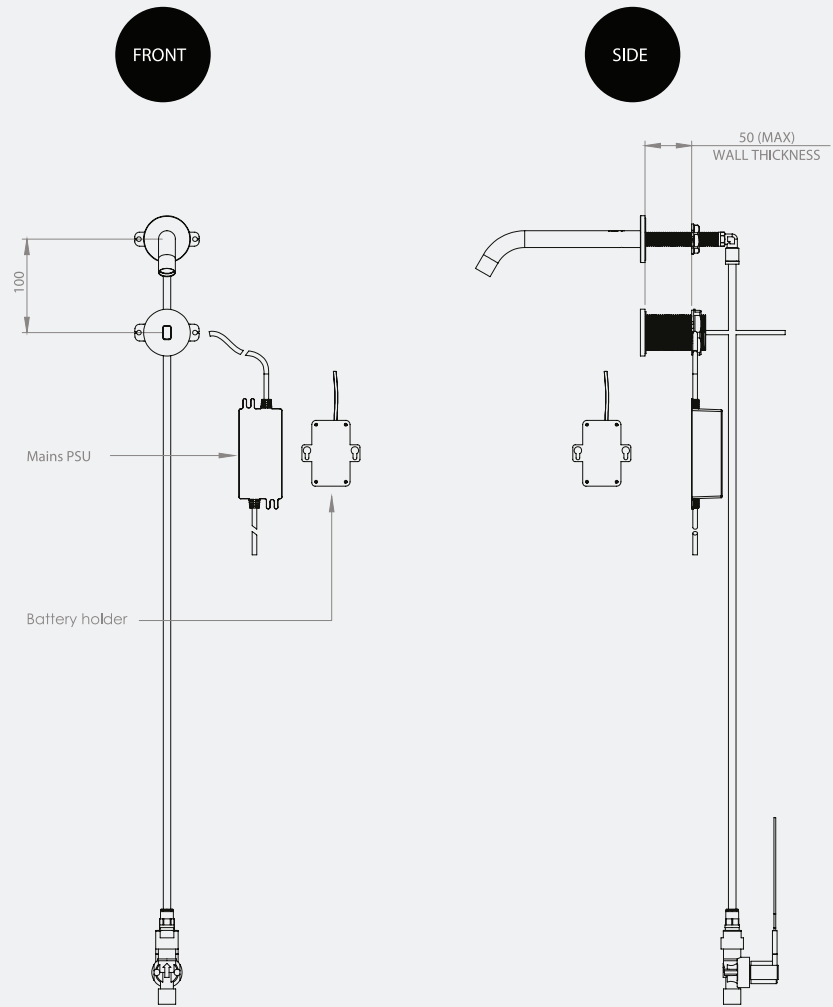
Aerator key
TSLP.260050

Aerator Cascade 3.8L/min Aerated
TSLP.260062

Aerator Cascade 1.89L/min Spray
TSLP.260063

Basket Filter For Solenoid Valve
TSLP.O8530015

+ Technical drawing



Optional Extras

Lithium Battery 6V
TSLP.270030

Battery Holder
TSLP.270029

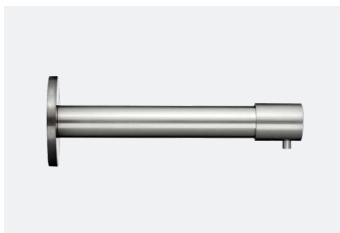
Aerator Cascade 1.35L/min Spray
TSLP.260051

Warranty & Spare parts

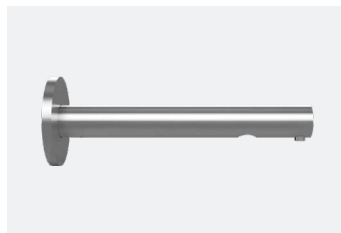
For warranty terms and conditions please visit www.thesplashlab.com

If additional spare parts are required and are not listed above, please contact us at info.uk@thesplashlab.com

Related products



Wall Mounted Manual Soap
Dispenser
TSL.470



Wall Mounted Sensor Soap
Dispenser
TSL.467



IR Sensor Tap
TSL.882



150 mm Capacitive Sensor Tap
TSL.883