

Waste Grate

TSL.680

A stainless steel unslotted basin waste grate, with 7 draining holes with 1 1/4" pipe connection

Finish	Codes	LRV*
● Black	TSL.680.BK	3
● Brass	TSL.680.BR	40
● Satin	TSL.680.CS	58
● Bronze	TSL.680.BZ	17
● Copper	TSL.680.CP	19

Light Reflectance Value*

+ Satin



+ Black



+ Brass



+ Bronze



+ Copper



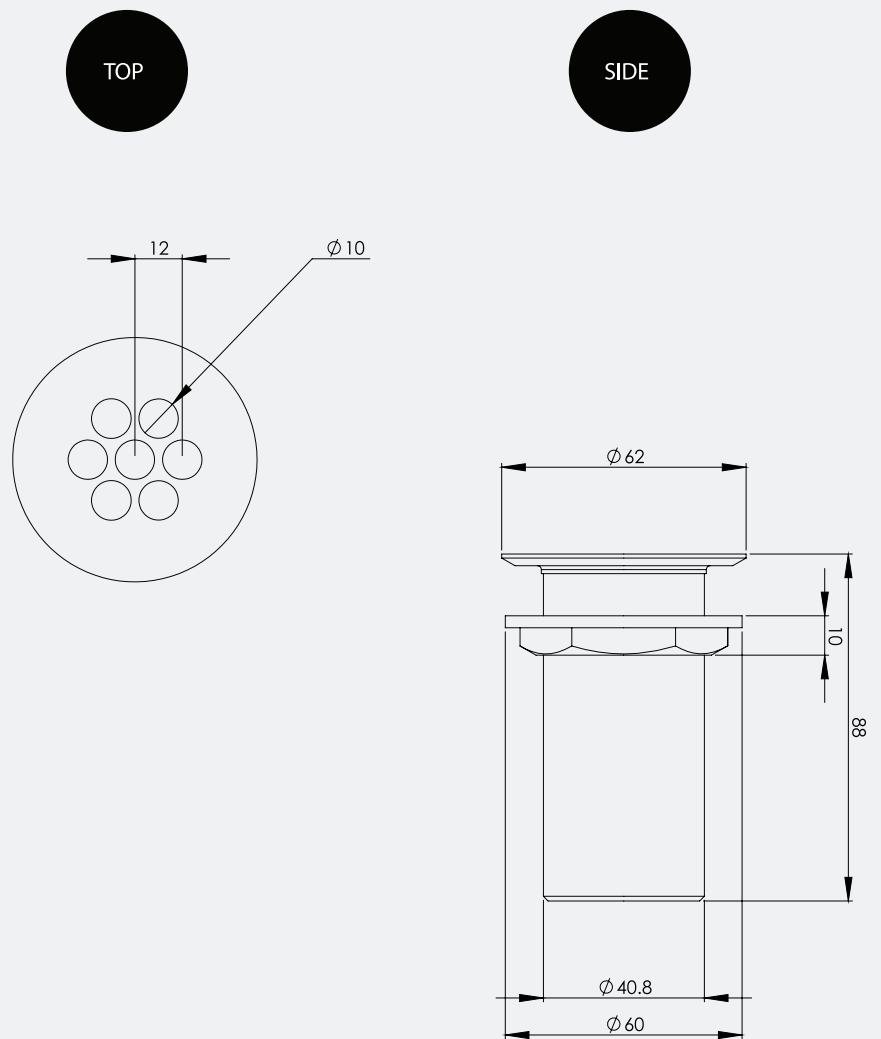
Included

TSL.680 Waste Grate

Fixing nut

Sealing washer

+ Technical drawing



Technical Data

Stainless steel grade AISI304

Flange diameter 62mm

Length 88mm

Pipe connection 1 1/4" BSP

Weight 0.33kg

Related documents

Installation and maintenance manual

Warranty document

Installation requirements

The waste grate is to be connected to a standard 1 1/4" trap.

Spare parts

The waste grate is to be connected to a standard 1 1/4" trap.

Warranty

1 Year from date of purchase

To obtain these documents please email
info.uk@thesplashlab.com