

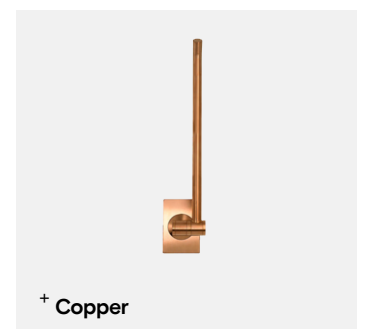
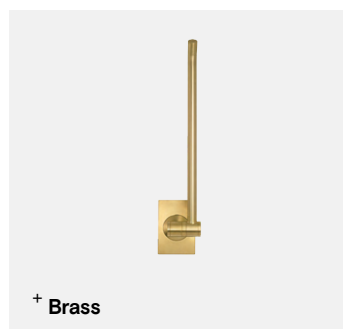
# Hinged Grab Bar

TSL.GR45

The TSL.GR45 is a hinged single arm support bar. This grab bar has a locking mechanism which holds the bar in a vertical or horizontal position, and comes with concealed fixings and flush plate available in left and right handed variants.

Finish	Codes	LRV*
● Satin	TSL.GR45.CS	58
● Black	TSL.GR45.BK	3
● Brass	TSL.GR45.BR	40
● Copper	TSL.GR45.CP	19
● Bronze	TSL.GR45.BZ	17

Light Reflectance Value\*



## Technical Data

---

Weight	7.5 Kg
Stainless steel grade	304
Load Capacity	70kg

---

## Installation requirements

---

All rails must be fixed to a suitable wall substrate to allow correct use to be made of the rails. The Splash Lab recommend that installers contact a fixings specialist for advice to ensure the correct fixings are used for the location. Fixings not included with rail.

---

## Compliance & certificates

---

The TSL.45 grab rail can be used to form part of a DDA compliant washroom, if installed in accordance with the current guidelines in force.

---

Product Code	Finish	Handing
TSL.GR45.CS.LH	Satin	Left Hand
TSL.GR45.BK.LH	Black	Left Hand
TSL.GR45.BZ.LH	Bronze	Left Hand
TSL.GR45.BR.LH	Brass	Left Hand
TSL.GR45.CP.LH	Copper	Left Hand
TSL.GR45.CS.RH	Satin	Right Hand
TSL.GR45.BK.RH	Black	Right Hand
TSL.GR45.BZ.RH	Bronze	Right Hand
TSL.GR45.BR.RH	Brass	Right Hand
TSL.GR45.CP.RH	Copper	Right Hand

## Load Capacity Information

---

In the UK, the load capacity of grab bars is typically governed by the British Standard BS 8300:2018 "Design of an accessible and inclusive built environment" and the Building Regulations. While BS 8300:2018 does not specify an exact load capacity for grab bars, it emphasizes that grab bars should be robust and capable of supporting the weight of a person. The grab bars should be securely fixed to the wall and able to withstand significant force without becoming loose or detached.

In Ireland, the load capacity of grab bars is governed by the Disability Act 2005 and the Technical Guidance Document M (TGD M) of the Building Regulations. Similar to the UK, TGD M requires grab bars to be strong and sturdy, capable of supporting the weight of a person without failure.

While specific load capacity values may not be explicitly stated in the standards, the general principle is to ensure that grab bars are designed and installed to accommodate the needs of individuals with disabilities, including those who may require additional support while using bathroom facilities or other accessible areas.

To comply with the relevant accessibility standards, it is essential to use high-quality grab bars designed for commercial or institutional use and follow the manufacturer's recommendations regarding load capacity and proper installation.

Architects, building owners, and contractors involved in designing and constructing accessible facilities should consider the load capacity requirements in the respective accessibility standards to ensure the safety and usability of grab bars for all users, including those with disabilities.

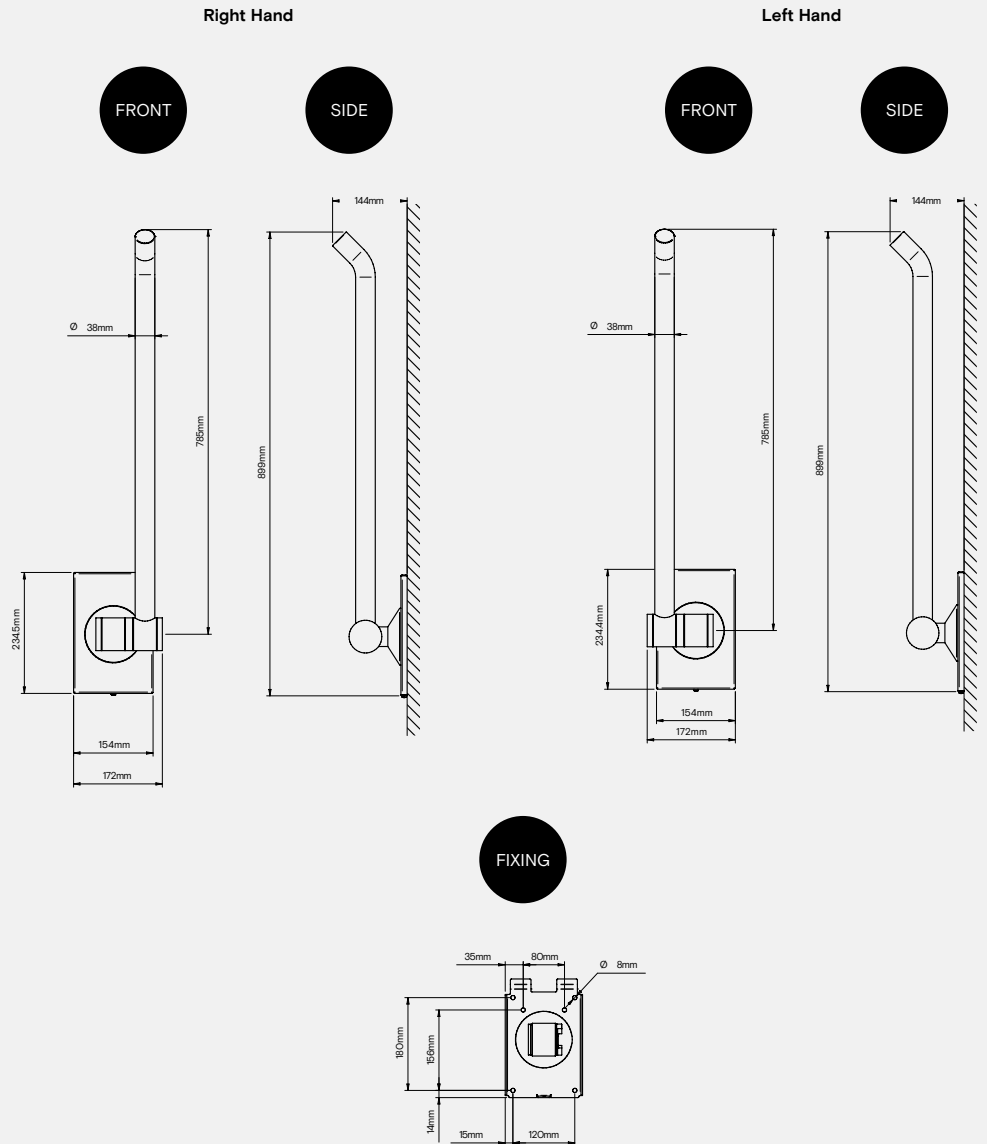
## Key Components/Spare Parts

TSL.GR45 Hinged Grab Bar

Flush plate

Concealed fixings

## + Technical drawing



## Warranty & Spare parts

For warranty terms and conditions please visit [www.thesplashlab.com](http://www.thesplashlab.com)

If additional spare parts are required and are not listed above, please contact us at [info.uk@thesplashlab.com](mailto:info.uk@thesplashlab.com)

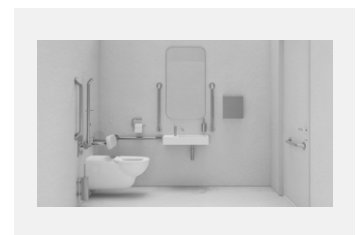
## Related Products



**Grab Bar**  
TSL.45.450



**Grab Bar - 600mm**  
TSL.45.600



**DDA Doc M Pack Wall Hung WC/  
Hand Dryer**  
TSL.DDA.R1