

# Straight Grab Bar – 600mm

TSL.GR45.600

The TSL.GR45.600 is a 600mm straight grab bar, which comes with concealed fixing roses.

| Finish   | Codes           | LRV* |
|----------|-----------------|------|
| ● Black  | TSL.GR45.600.BK | 3    |
| ● Brass  | TSL.GR45.600.BR | 40   |
| ● Satin  | TSL.GR45.600.CS | 58   |
| ● Bronze | TSL.GR45.600.BZ | 17   |
| ● Copper | TSL.GR45.600.CP | 19   |

Light Reflectance Value\*

+ Satin



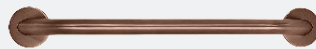
+ Black



+ Brass



+ Bronze



+ Copper



**Technical Data**

---

|                       |                              |
|-----------------------|------------------------------|
| Weight                | 1.78Kg                       |
| Stainless steel grade | 304                          |
| Warranty              | 1 year from date of purchase |

---

**Installation requirements**

---

All rails must be fixed to a suitable wall substrate to allow correct use to be made of the rails. The Splash Lab recommend that installers contact a fixings specialist for advice to ensure the correct fixings are used for the location. Fixings not included with rail.

---

**Compliance & certificates**

---

The TSL.GR45.600 grab rail can be used to form part of a DDA compliant washroom, if installed in accordance with the current guidelines in force.

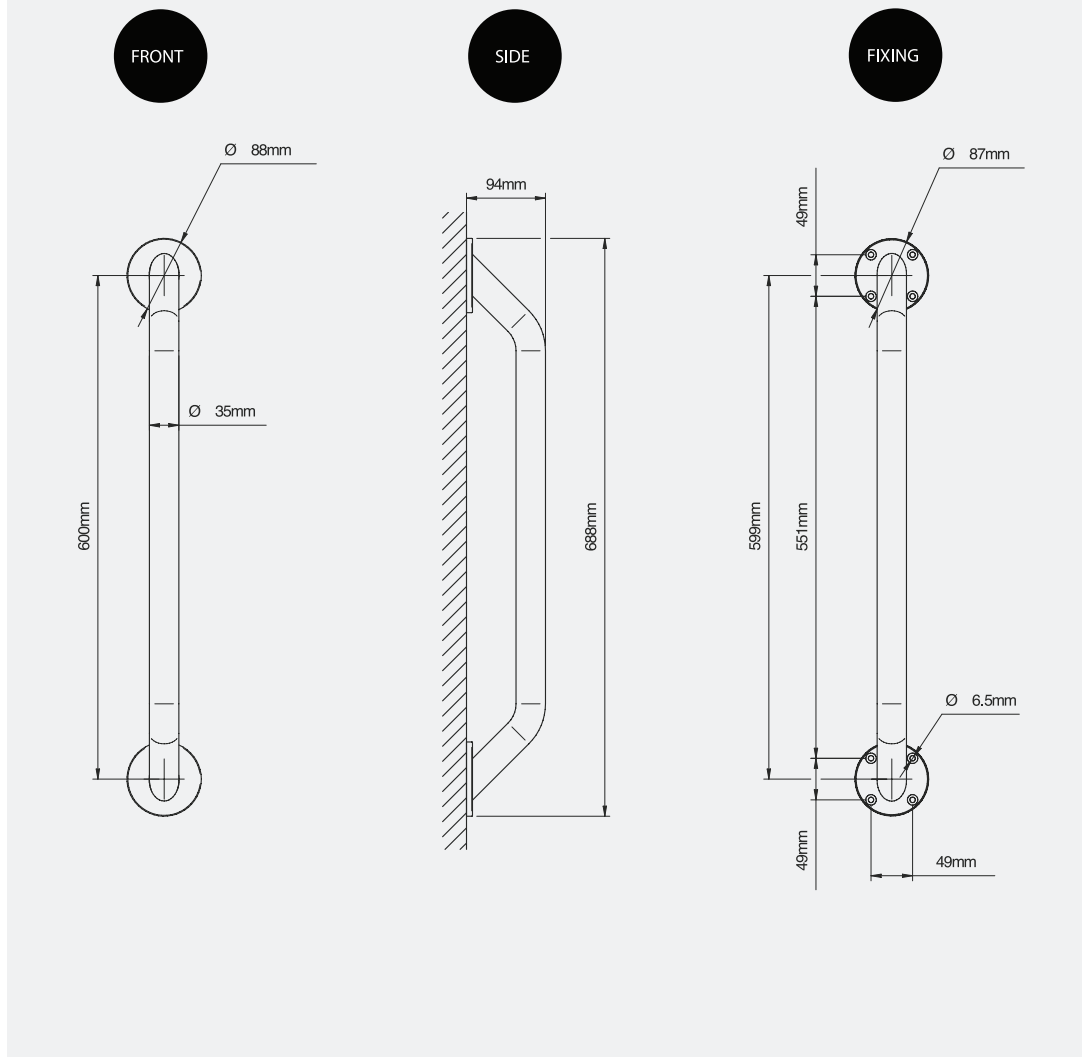
---

**Included**

TSL.GR45.600 Grab Bar

Concealed fixing roses

**+ Technical drawing**



**Warranty & Spare parts**

If a situation arises where you require replacement components outside of a maintenance contract, there may be provision to obtain spare parts. Providing the components are under warranty and the parts have become non-functioning during normal use within their assumed usable life, they may be replaced. Should a replacement mains power supply be required it is imperative that an identical type is used. Contact **The Splash Lab** for further information.

**Related products**



**Straight Grab Bar - 450mm**  
TSL.GR45.450



**Hinged Grab Bar**  
TSL.GR45