

Waste Grate

TSL.680

A stainless steel unslotted basin waste grate, with 7 draining holes with 1 ¼" pipe connection

Finish	Codes	LRV*
● Black	TSL.680.BK	3
● Brass	TSL.680.BR	40
● Satin	TSL.680.CS	58
● Copper	TSL.680.CP	19

Light Reflectance Value*

+ Satin



+ Black



+ Brass



+ Copper



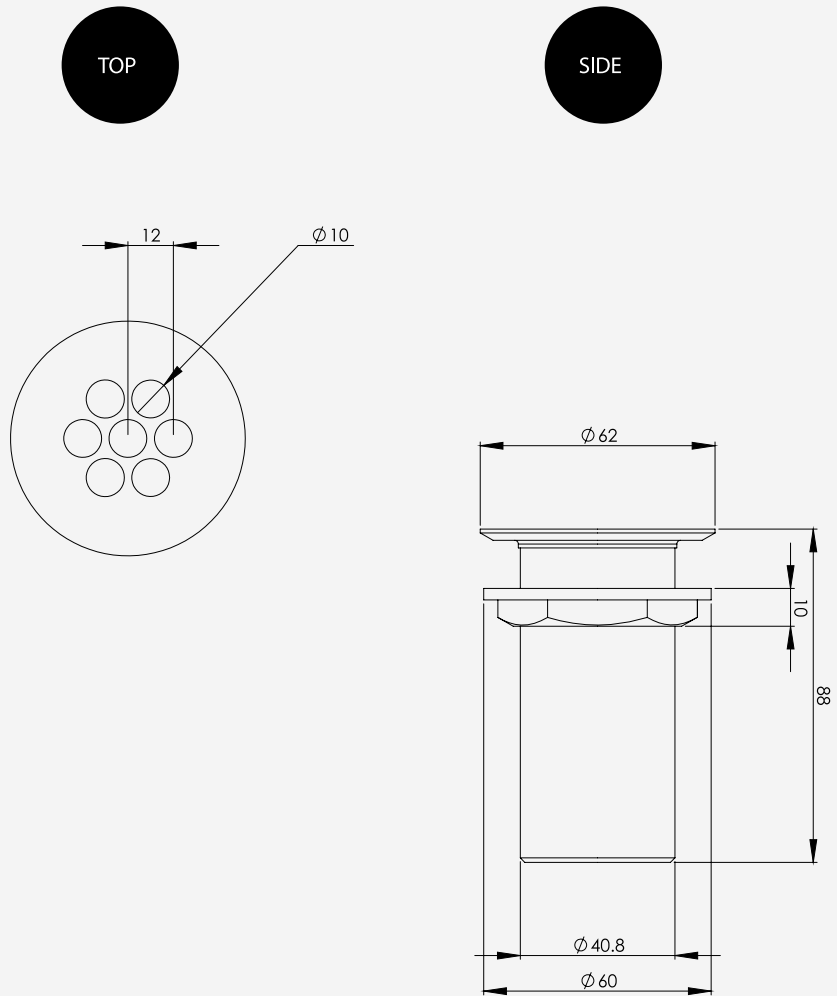
Included

TSL.680 Waste Grate

Fixing nut

Sealing washer

+ Technical drawing



Technical Data

Stainless steel grade	AISI304
Flange diameter	62mm
Length	88mm
Pipe connection	1 ¼" BSP
Weight	0.33kg

Related documents

Installation and maintenance manual

Warranty document

Installation requirements

The waste grate is to be connected to a standard 1 ¼" trap.

Spare parts

There are no user serviceable parts.

Warranty

1 Year from date of purchase

To obtain these documents please email
info.uk@thesplashlab.com