

Double Toilet Roll Holder

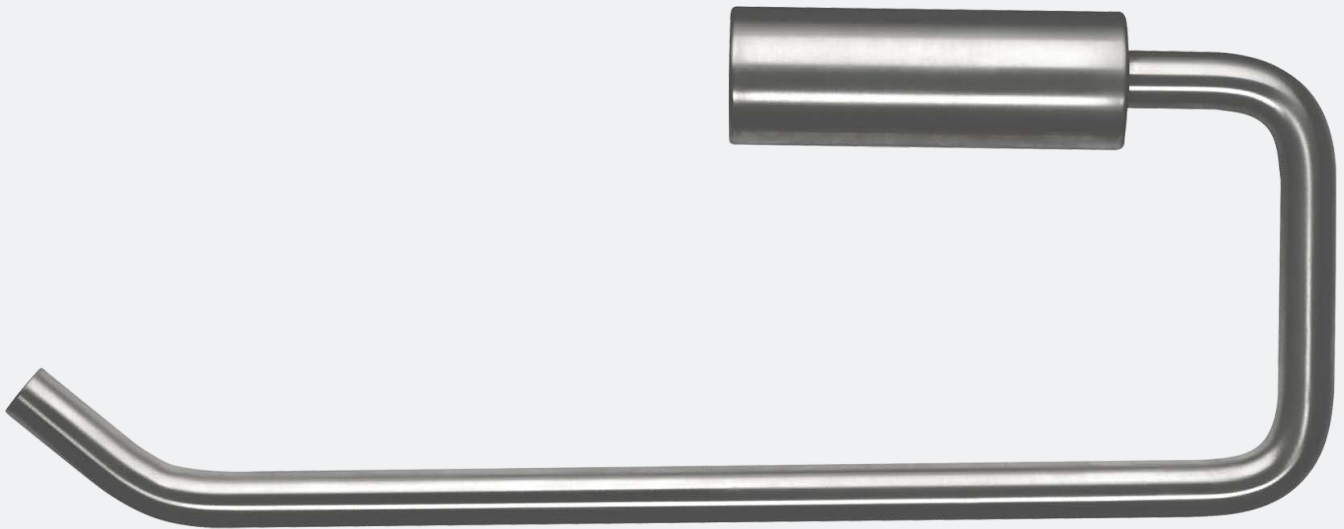
TSL.46

The TSL.46 is a double toilet roll holder with a concealed fixing, constructed from stainless steel.

Finish	Codes	LRV*
● Black	TSL.46.BK	3
● Brass	TSL.46.BR	40
● Satin	TSL.46.CS	58
● Bronze	TSL.46.BZ	17
● Copper	TSL.46.CP	19

Light Reflectance Value*

+ Satin



+ Black



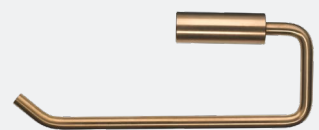
+ Brass



+ Bronze



+ Copper

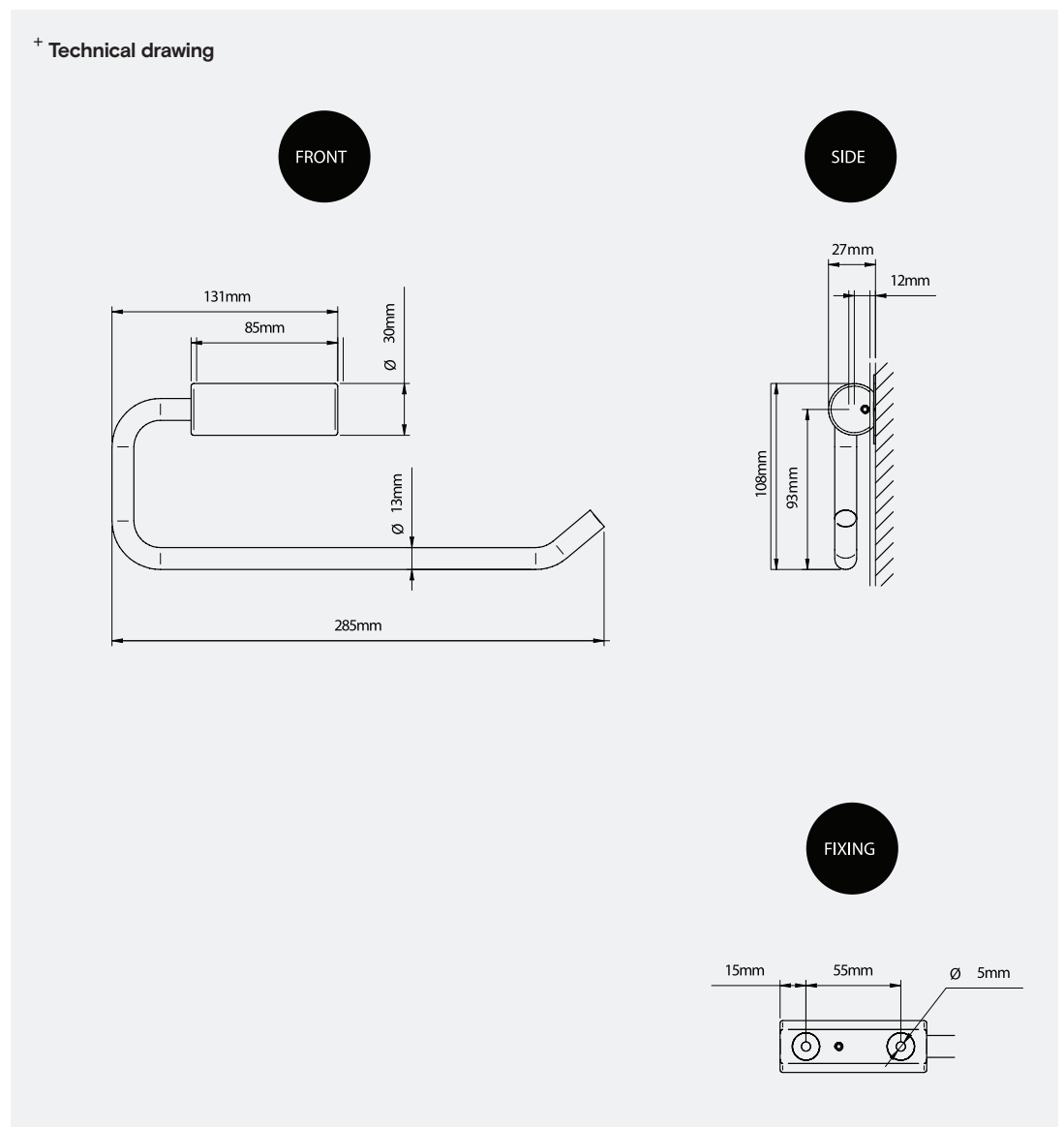


Included

TSL.46 Double Toilet Roll Holder

Fixings

+ Technical drawing



Warranty & Spare parts

For warranty terms and conditions please visit www.thesplashlab.com

If additional spare parts are required and are not listed above, please contact us at info.uk@thesplashlab.com

Technical Data

Weight	0.86Kg
Stainless steel grade	304
Capacity	2 rolls (Max size - 130mm dia x 110mm width x 35mm dia core)

Related documents

Installation and maintenance manual

Warranty document

To obtain these documents please email

info.uk@thesplashlab.com

Installation requirements

Substrate Must be fixed to a hard surface.
Drywall is not suitable.

Spare parts

There are no user serviceable parts