

Double Toilet Roll Holder

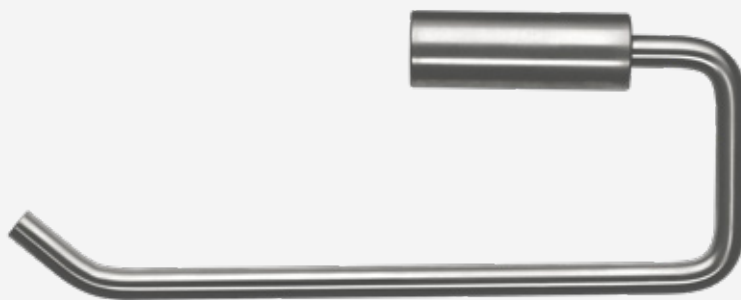
TSL.46

The TSL.46 is a double toilet roll holder with a concealed fixing, constructed from stainless steel.

Finish	Codes	LRV*
● Black	TSL.46.BK	3
● Brass	TSL.46.BR	40
● Satin	TSL.46.CS	58
● Copper	TSL.46.CP	19

Light Reflectance Value*

+ Satin



+ Black



+ Brass



+ Copper

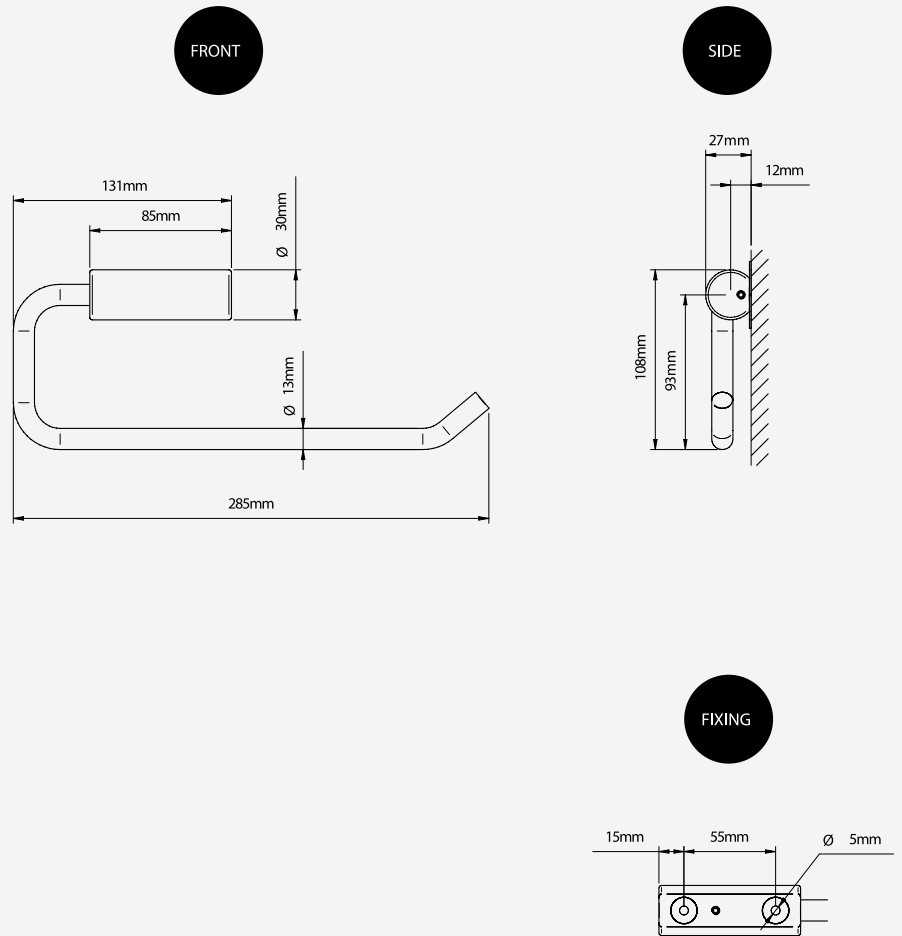


Included

TSL.46 Double Toilet Roll Holder

Fixings

+ Technical drawing



Technical Data

Weight	0.86Kg
Stainless steel grade	304
Capacity	2 rolls (Max size - 130mm dia x 110mm width x 35mm dia core)

Related documents

Installation and maintenance manual

Warranty document

Installation requirements

Substrate	Must be fixed to a hard surface. Drywall is not suitable.
-----------	-----------------------------------------------------------

Spare parts

There are no user serviceable parts.

Warranty

1 Year from date of purchase

To obtain these documents please email
info.uk@thesplashlab.com