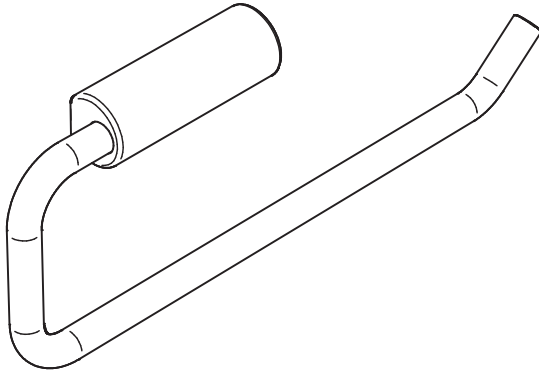
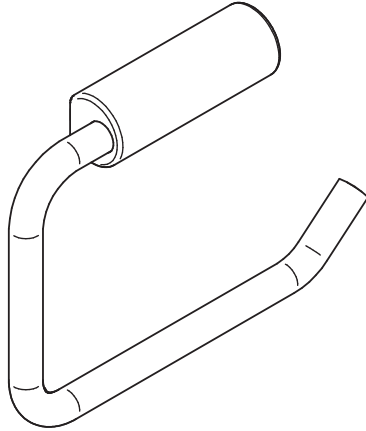


# TSL.45/46

toilet roll holder



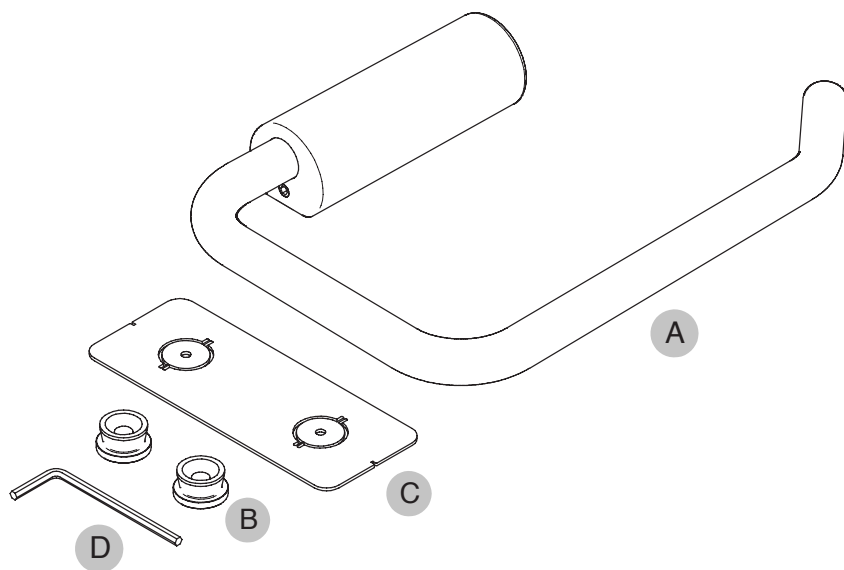
installation + maintenance

+ THE  
SPLASH  
LAB

# contents

<b>3</b>	Box Contents
<b>4</b>	Technical Data
<b>5</b>	Before you Install (TSL.45)
<b>6</b>	Before you Install (TSL.46)
<b>7</b>	How to Install
<b>8</b>	Cleaning
<b>8</b>	Maintenance
<b>8</b>	Refilling
<b>9</b>	Diagram
<b>10</b>	Warranty
<b>11</b>	Contact Details

# box contents



- A Toilet Roll holder assembly
- B Wall mounting bushes
- C Fixing template
- D Allen key

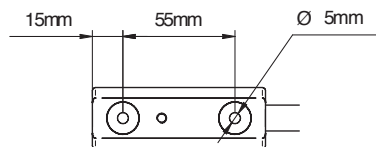
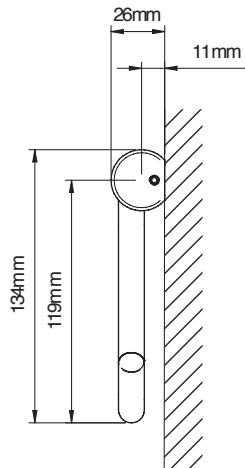
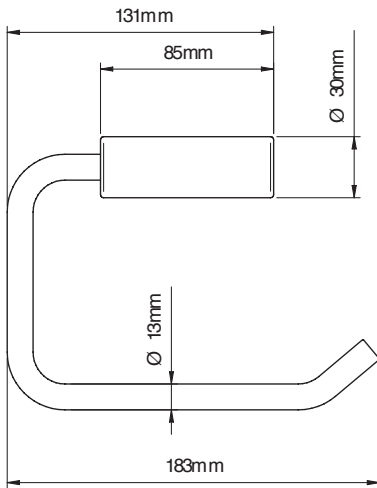
# technical data

<b>Finishes</b>	CS (Brushed satin stainless steel) CP (Brushed copper finish) BK (Brushed black finish) BZ (Brushed bronze finish) BR (Brushed brass finish)
<b>Weight</b>	
<b>TSL.45</b>	0.76kg
<b>TSL.46</b>	0.86kg
<b>Stainless steel grade</b>	304AISI Stainless steel
<b>Capacity</b>	
<b>TSL.45</b>	1 roll Max size - 130mm dia x 110mm width x 35mm core
<b>TSL.46</b>	2 rolls Max size - 130mm dia x 110mm width x 35mm core
<b>Warranty</b>	2 years from date of purchase

# before you install (TSL.45)

## Location

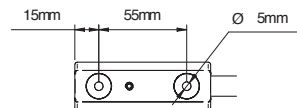
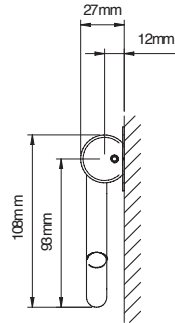
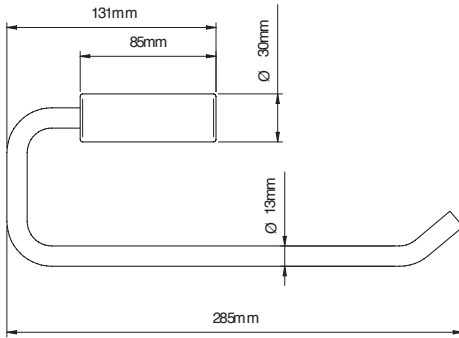
The roll holder is to be fixed to a firm wall surface, with fixings appropriate to the wall substrate.



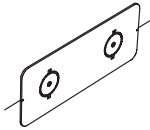
# before you install (TSL.46)

## Location

The roll holder is to be fixed to a firm wall surface, with fixings appropriate to the wall substrate.

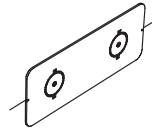
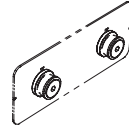


# how to install



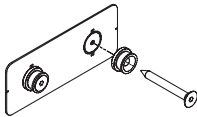
**1**

Mark the two fixing points at 55mm centres on the wall at the desired height.



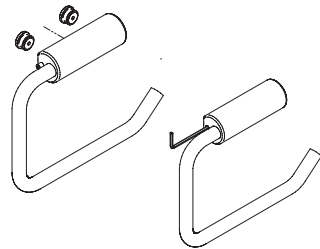
**2**

Slacken the two grub screws that retain the brass mounting bushes remove the brass bushes from the stainless steel pivot boss.



**3**

Fix the brass bushes to the wall firmly. It is critical that the bushes are fixed accurately.



**4**

Slide the toilet roll holder onto the brass bushes and re-tighten the grub screws to secure the holder.

# cleaning

All grades of stainless steel will stain or discolour if due care and attention is not taken. The surface must be regularly cleaned to ensure a long service life of the dispenser.

Use a soft cloth or sponge with a mild solution of soapy water as part of the regular washroom janitorial routine. Do not use abrasive or cream cleaners as these will damage the surface finish.

If the dispenser is subjected to a highly chlorinated environment eg swimming pools or marine coastal locations, a further treatment, in addition to the regular cleaning as described above, is recommended by the application of a household cleaning product containing silicone.

If further information is required, contact The Splash Lab technical team for more detailed stainless steel care guidelines.

# maintenance

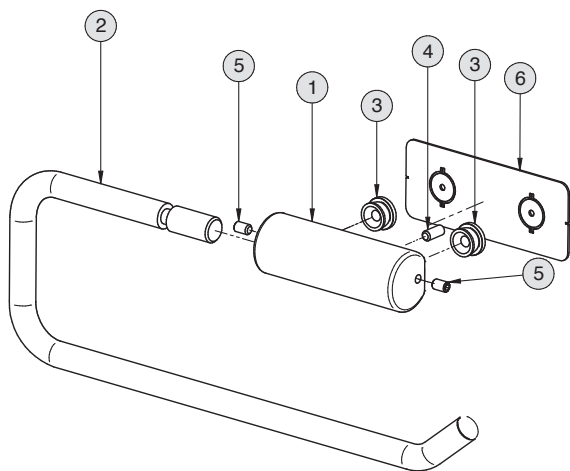
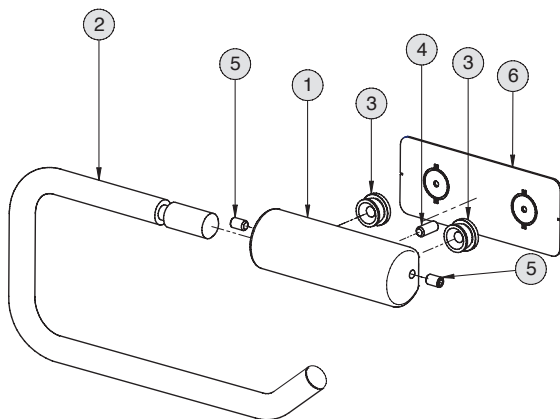
The dispenser should be inspected periodically to check that no damage has occurred and that the screws securing the roll holder to the mounting points are tight.

# refilling

Replacement toilet tissue rolls are to be slid onto the holder and allowed to rest against the stop at the end of the bar. The dispenser accepts standard size toilet rolls.



# diagram



No	Part	TSL.45	TSL.46
1	Wall mount	TSLP.011	TSLP.011
2	Dispenser arm	TSLP.012	TSLP.015
3	Mounting bush	TSLP.013	TSLP.013
4	Grub screw - M5 x 12	TSLP.106	TSLP.106
5	Grub screw - M5 x 8	TSLP.107	TSLP.107
6	Wall fixing template	TSLP.230230	TSLP.230230

# warranty

We believe the future is personal. With a global mindset, we challenge conventional restroom norms via product innovation to create considered washroom solutions for corporate and educational spaces. We use rich raw materials, cutting-edge automation and considered washroom design to powerfully and positively influence the lives of people. We are The Splash Lab.

Demonstrating our commitment to quality and our belief in the strength of our designs, we can offer the following warranties.

The Splash Lab will warrant that its products will be free of manufacturing and material defects during normal use and environmental conditions as detailed below:

**Toilet Roll Holder                      2 years**

If a defect is found in normal use, The Splash Lab will, at their discretion, repair, provide a replacement part or product, or make appropriate adjustments. Damage caused by accident, misuse, or abuse is not covered by this warranty. Improper care and cleaning will void the warranty.

Non-operation of the product due to environmental conditions beyond our control, installation error, incorrect maintenance, water quality, fair wear and tear, incorrect or inappropriate installation, misuse and abuse is not covered by the warranty.

Proof of purchase (original sales receipt) must be provided to The Splash Lab with all warranty claims.

The above warranty is valid for goods supplied within the United Kingdom.

For goods supplied outside of the United Kingdom, The Splash Lab will honour the above stated warranty periods for the parts only.

**THE SPLASH LAB DISCLAIM ANY LIABILITY FOR SPECIAL, INCIDENTAL OR CONSEQUENTIAL DAMAGES.**

# contact



## General information

[info@thesplashlab.com](mailto:info@thesplashlab.com)

+44 (0) 161 482 7000

## Technical support

[technical@thesplashlab.com](mailto:technical@thesplashlab.com)

## For further contact information visit:

[www.thesplashlab.com](http://www.thesplashlab.com)

