

TSL.420

deck mounted soap dispenser

installation + maintenance

+
THE
SPLASH
LAB

contents

| | |
|------------|-------------------------|
| 3 | Safety and Warnings |
| 4 | Box Contents |
| 5 | Technical Data |
| 6 | Before You Install |
| 8 | How to Install |
| 14 | Operation & Spare parts |
| 15 | Maintenance |
| 15 | Cleaning |
| 16 | Troubleshooting |
| 17 | Diagram |
| 18 | Warranty |
| Back Cover | Contact Details |

TSL.420 soap dispenser

Read and save these instructions

WARNING

To reduce the risk of fire, electric shock or injury to persons, observe the following:

- + Use this unit only in the manner intended by the manufacturer. If you have any questions, contact the manufacturer (see back page for details).
- + This equipment should be installed in a way that ensures all electrical parts are kept dry.
- + A means of electrical isolation must be incorporated in the fixed wiring, in accordance with the current local regulations in force.
- + Disconnect the power supply before performing any maintenance on the product.
- + Children should not play with this equipment. Cleaning and maintenance shall not be performed by children without supervision.
- + This equipment is designed to be used in commercial and public areas; it is not intended for domestic or residential use.
- + Replace fuse only with the same type and rating of fuse.
- + Ensure wiring and cover is installed correctly before connecting to live power supply.
- + If in doubt, consult an electrician.

General information

Info.uk@thesplashlab.com
+44 (0) 161 482 7000

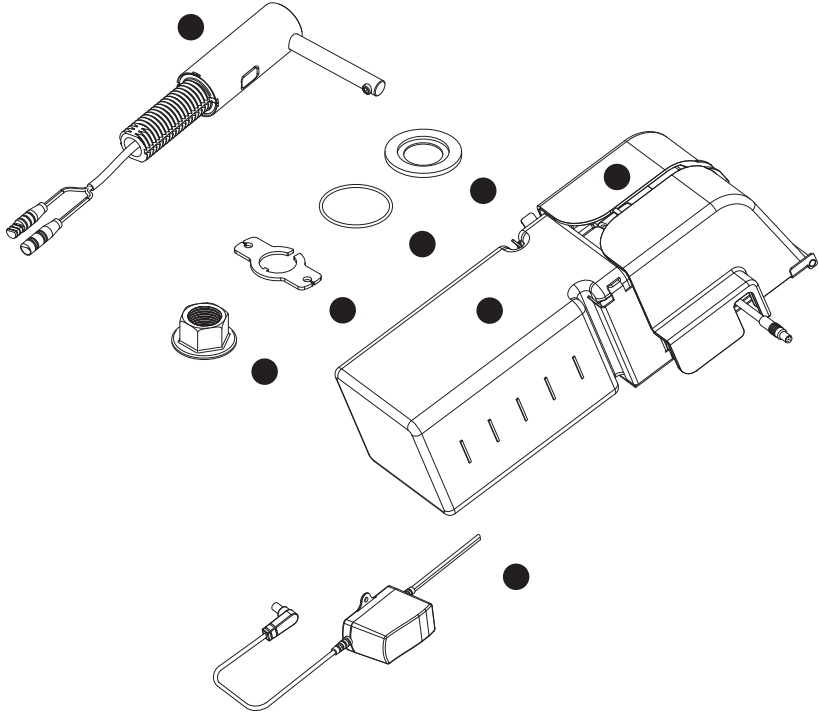
Technical support

Info.uk@thesplashlab.com

For further contact information visit:

www.thesplashlab.com

box contents



- A Dispenser head assembly
- B Base collar
- C O ring
- D Anti rotation washer
- E Fixing nut
- F Soap foamer pump unit
- G Soap reservoir - 1500ml
- H Power supply unit

technical data

| | | |
|----------------------------|---|-------------------------|
| Finishes | TSL.420.CS | Brushed Stainless Steel |
| | TSL.420.CP | Brushed Copper |
| | TSL.420.BK | Brushed Black |
| | TSL.420.BR | Brushed Brass |
| | TSL.420.BZ | Brushed Bronze |
| Power supply - Mains | Input: 100-240V ac; 50/60Hz Output: 6V DC; 1.5A, 9W max | |
| Power supply - Battery | 6V Type AA x 4 pcs Alkaline (not included) (Optional) | |
| Standby power | 9mA | |
| Weight | 1.5kg | |
| Material | AISI 304 Stainless Steel | |
| Sensor range | Preset 70mm (adjustable using separate controller if required) | |
| Max range | 400mm | |
| Min range | 60mm | |
| Recommended soap viscosity | Foam soap - <10cPs. Not suitable for alcohol gels or hand sanitizers. | |
| Approvals | CE | |
| Warranty | One years limited warranty | |

before you install

Access Requirements

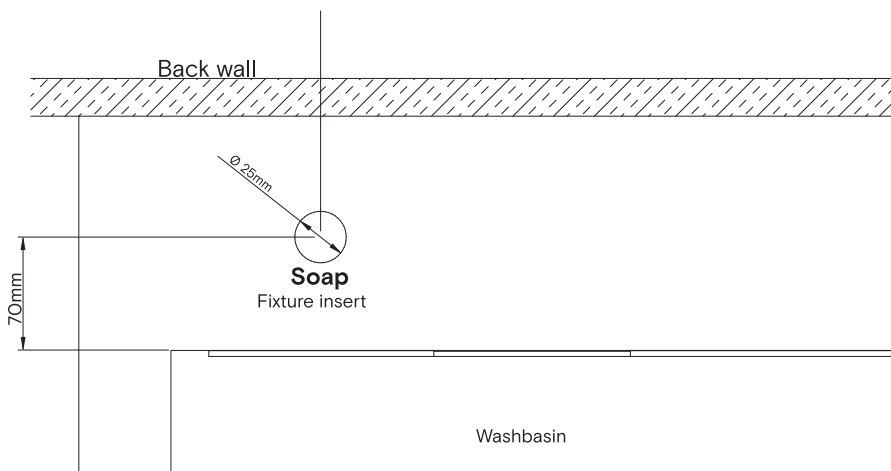
Soap reservoir must be accessible for installation, commissioning and for ongoing/routine maintenance.

Front access: If the underside of the wash basin is tiled in, or is fixed onto a vanity unit, a front hatch or panel(s) must be constructed below the wash basin for ongoing maintenance access.

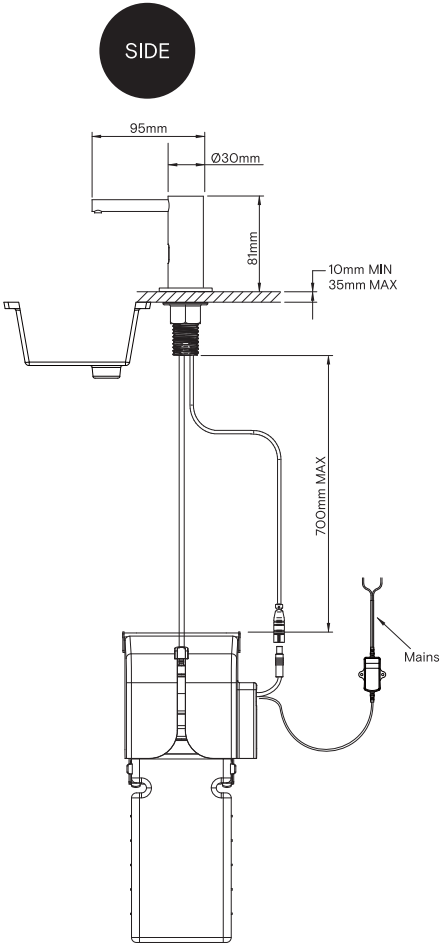
Installation Requirements

1. The soap dispenser is intended to be mounted in a countertop or basin adjacent to a tap. As a guide, The Splash Lab recommends a minimum distance of 100mm between the dispenser and a tap.
2. The TSL.420 is supplied with a single-feed reservoir to be connected with a flexible feed-pipe to the dispenser. If a multifeed system is required, this needs to be specified separately.

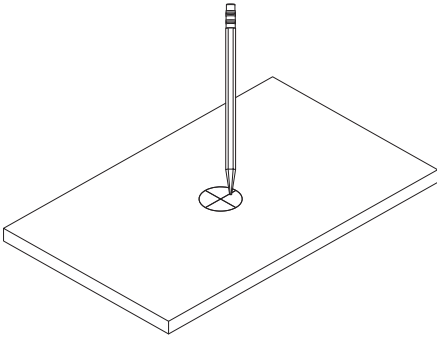
Top view



before you install

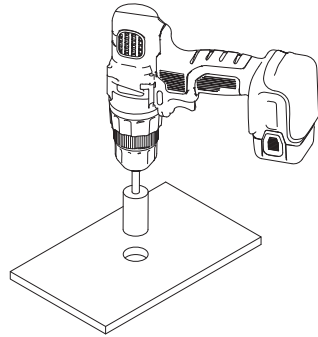


how to install



1

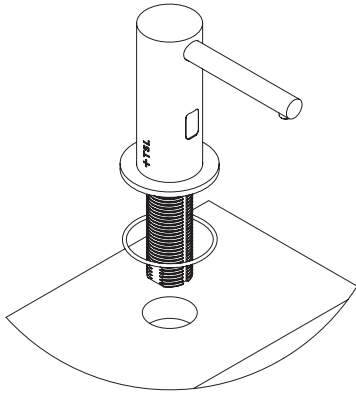
Mark soap hole centres onto the surface for installation.



2

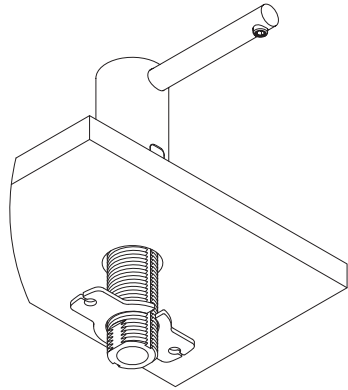
Drill 25mm diameter hole in countertop.

how to install



3

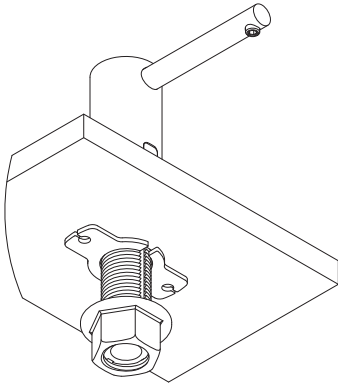
Insert dispenser through hole in basin or countertop with the stainless steel bezel above the counter. Ensure the rubber O-ring is placed onto the spigot before inserting the unit through the countertop.



4

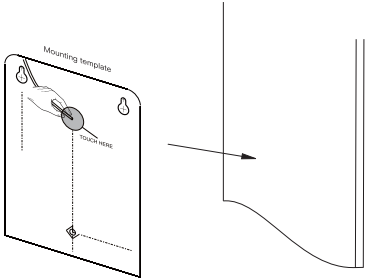
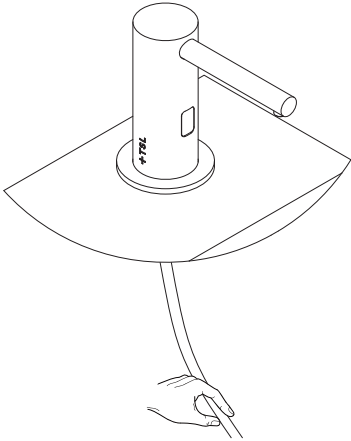
Fix anti-rotation washer from below the basin.

how to install



5

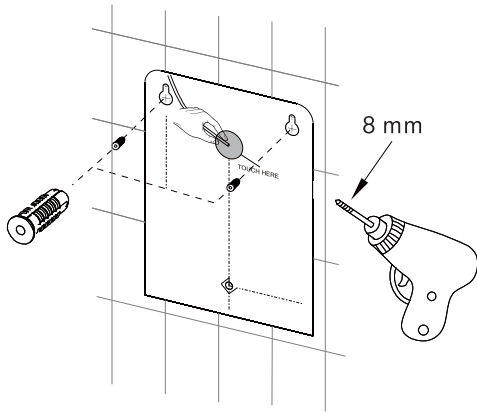
Fit the fixing nut, and ensure that this is secure using a spanner.



6

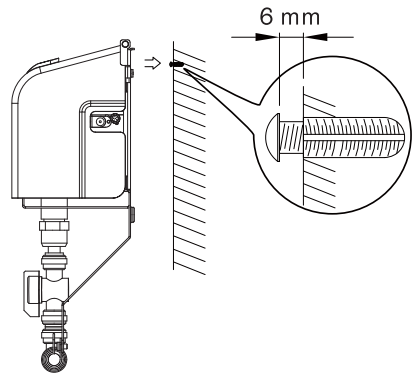
Touch the Mounting template to find the best position for installing.

how to install



7

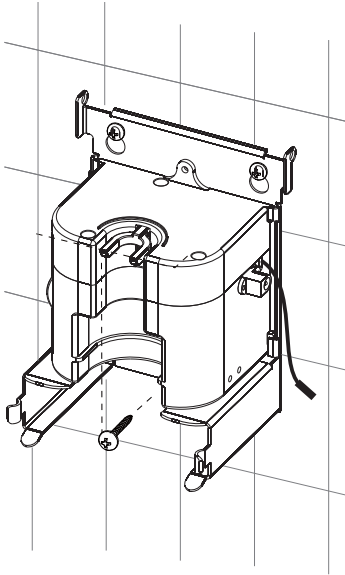
Put the mounting template in the best installation position on the wall according to the position of the holes in the mounting template. Then drill 2 holes (size: 8 mm) and put the 2 wall plugs, included in kit, in the holes. Contractor may use other size.



8

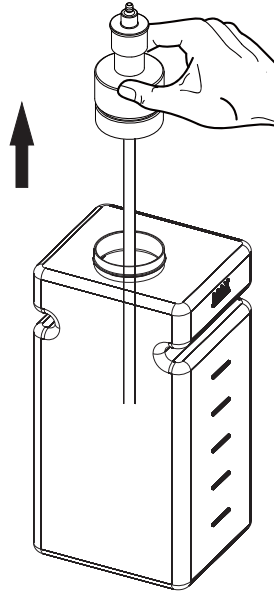
Put two fixing screws into the top wall plugs, but leave a 6 mm space between the head of the screw and wall, so the control box assembly can hang properly.

how to install



9

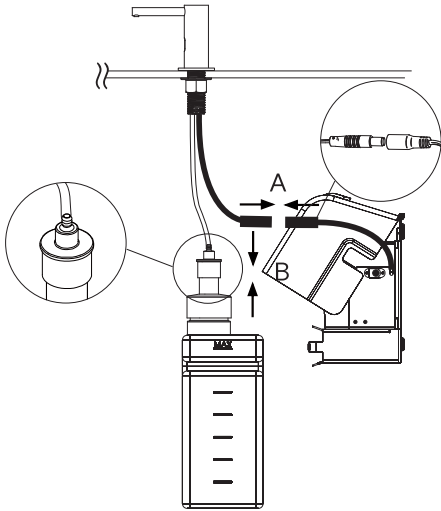
When the control box assembly has been hung on the wall, fasten the third screw into the bottom wall plug.



10

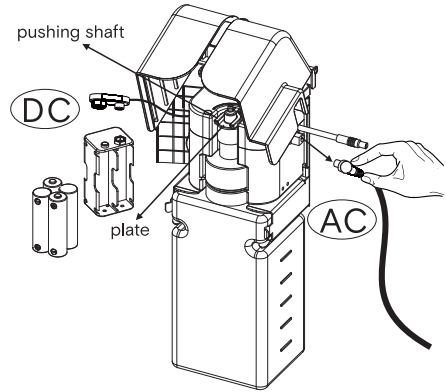
Pull up the soap pump, fill in the foam soap and then push down the soap pump until you hear it snap into place.

how to install



11

Connect the wire of the soap dispenser to the wire of the control box assembly. Connect the tube of the soap dispenser to the connector on the soap pump. The overall length of the soap tube is 1000mm. For a suitable length for installation, cut the tube as short as possible to save battery life and to improve soap volume.



12

Push the soap tank to the track. Make sure the soap pump plate is under the pushing shaft before you put back the soap tank, so the soap dispenser can work properly. Plug-in an AC adapter or battery box to supply power. Installation finished.

*To use power mains as the power source, do not place batteries in the battery compartment.

To use batteries as the power source, insert the batteries in the battery compartment and disconnect the barrel connector of the AC adapter from the control box. The life cycle of the soap dispenser based on using batteries as the power source is about 15,000 cycles.

operation

- + The user places hands within the detection range of the sensor to activate the soap dispenser.
- + The motor will start and soap is dispensed onto the user's hands.

spare parts

If a situation arises where you require replacement components outside of a maintenance contract, there may be provision to obtain spare parts. Providing the components are under warranty and the parts have become non-functioning during normal use within their assumed usable life, they may be replaced. Should a replacement mains power supply be required it is imperative that an identical type is used. Contact The Splash Lab for further information.

maintenance & cleaning

*Isolate the unit from the power supply before any servicing or maintenance work is carried out.

How to clean the spout of soap dispenser and how regularly

- + Please use a clean cloth to wipe away the dusts and/or water mark on the spout or use a damp cloth to clean it. It is recommended to clean the spout every six months, depending on the frequency of usage and environment.
-

How to clean the soap tank and how regularly

- + Remove the soap tank, rinse with running water. It is recommended to clean the soap tank every three months, depending on the soap type used, frequency of usage and environment.
-

How to clean the soap outlet and how regularly (foam soap only)

- + Remove the soap outlet with the hex key provided. Clean the filter on the soap outlet with a soft brush under water. It is recommended to clean the soap outlet every three months, depending on the soap used, frequency of usage and environment.
-

What should NOT be used

- + Do not use steel brush or abrasive that could scratch the spouts.
-

Best care for PVD Finishes

- + You can clean the PVD finished spouts with a damp cloth and water. Do not use cleaning solution or liquid alcohol.
-

troubleshooting

If the dispenser will not run

- + Ensure there is power to the dispenser and the wire from the fuse spur is connected correctly to the pump motor.
 - + Check that the sensor cables are fully connected to the corresponding cables from the foam pump unit.
 - + If you use DC type, replace the battery with a new one if the battery is low.
-

If the dispenser can be heard to operate, but soap is not dispensed

- + Check that the soap pick-up pipe is fully immersed in the soap in the reservoir. If necessary, replenish the soap in the reservoir and ensure it is pushed into the correct position in the mouting bracket.
 - + Check that there are no leaks in the pipework, and that all connections are fully pushed home.
-

If the dispenser runs all the time

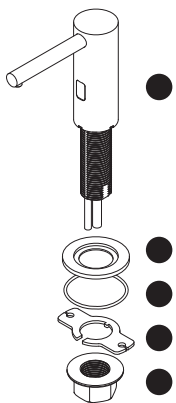
- + It is likely that the sensor is detecting either an object, or reflection causing it to operate constantly.
 - + Remove the obstruction or cause of reflection.
-

We are always looking to improve. If these did not solve your problem please contact us and we will endeavour to help.

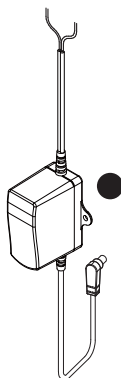
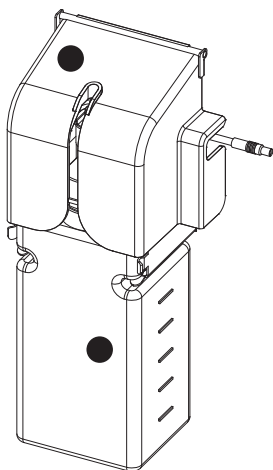
Tel: +44 (0) 161 482 7000

Email: Info.uk@thesplashlab.com

diagram



- | | |
|---|-------------------------|
| A | Dispenser head assembly |
| B | Base collar |
| C | O ring |
| D | Anti rotation washer |
| E | Fixing nut |
| F | Soap foamer pump unit |
| G | Soap reservoir - 1500ml |
| H | Power supply unit |



warranty

We believe the future is personal. With a global mindset, we challenge conventional restroom norms via product innovation to create considered restroom solutions for corporate and educational spaces. We use rich raw materials, cutting-edge automation and considered restroom design to powerfully and positively influence the lives of people. We are The Splash Lab.

Demonstrating our commitment to quality and our belief in the strength of our designs, we can offer the following warranties.

The Splash Lab will warrant that its products will be free of manufacturing and material defects during normal use and environmental conditions as detailed below:

One year limited warranty

If a defect is found in normal use, The Splash Lab will, at their discretion, repair, provide a replacement part or product, or make appropriate adjustments. Damage caused by accident, misuse, or abuse is not covered by this warranty. Improper care and cleaning will void the warranty.

Non-operation of the product due to environmental conditions beyond our control, installation error, incorrect maintenance, water quality, fair wear and tear, incorrect or inappropriate installation, misuse and abuse is not covered by the warranty.

Proof of purchase (original sales receipt) must be provided to The Splash Lab with all warranty claims.

The above warranty is valid for goods supplied within the U.K. & Europe.

For goods supplied outside of U.K. & Europe, The Splash Lab will honor the above stated warranty periods for the parts only.

THE SPLASH LAB DISCLAIM ANY LIABILITY FOR SPECIAL, INCIDENTAL OR CONSEQUENTIAL DAMAGES.

contact



General information

Info.uk@thesplashlab.com
+44 (0) 161 482 7000

Technical support

Info.uk@thesplashlab.com

For further contact information visit:

www.thesplashlab.com

